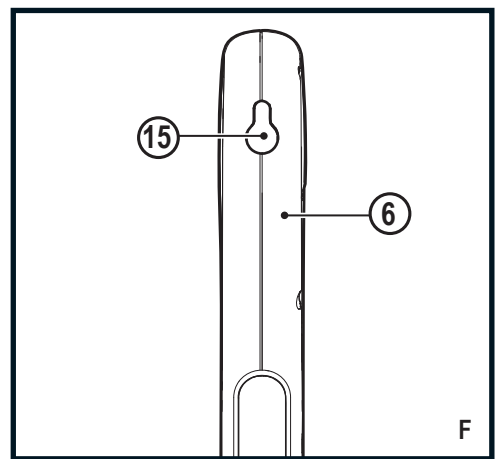
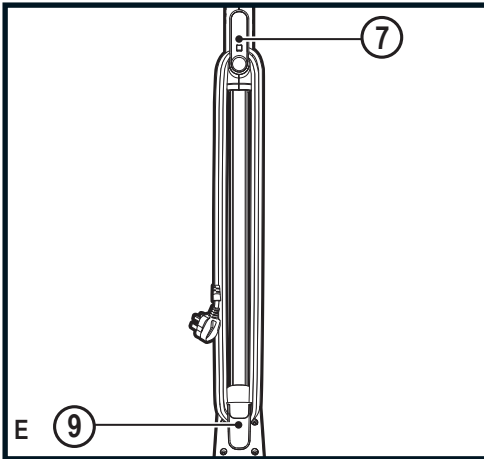
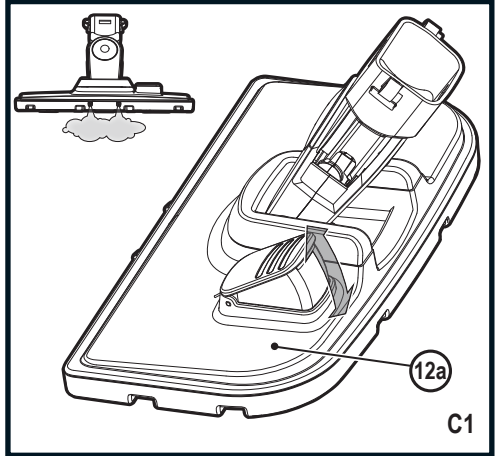
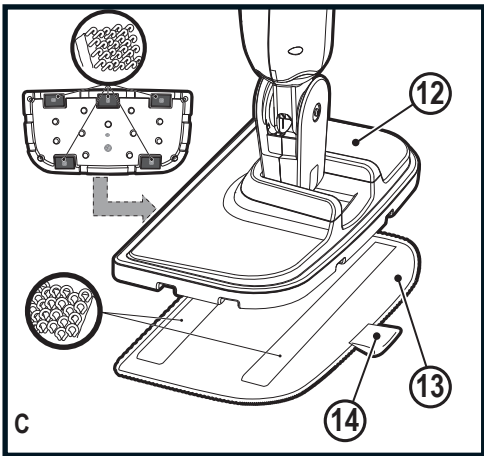
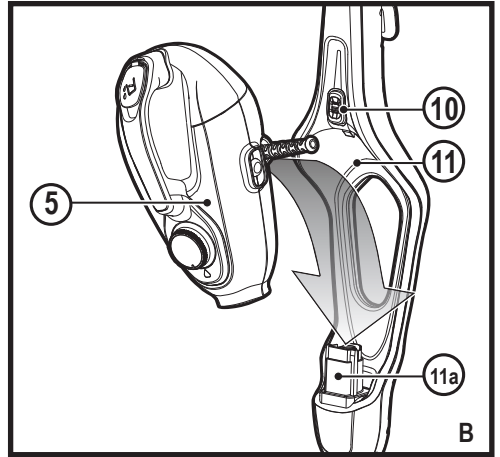
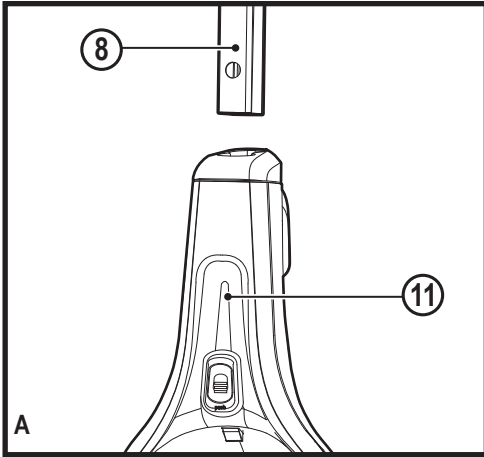
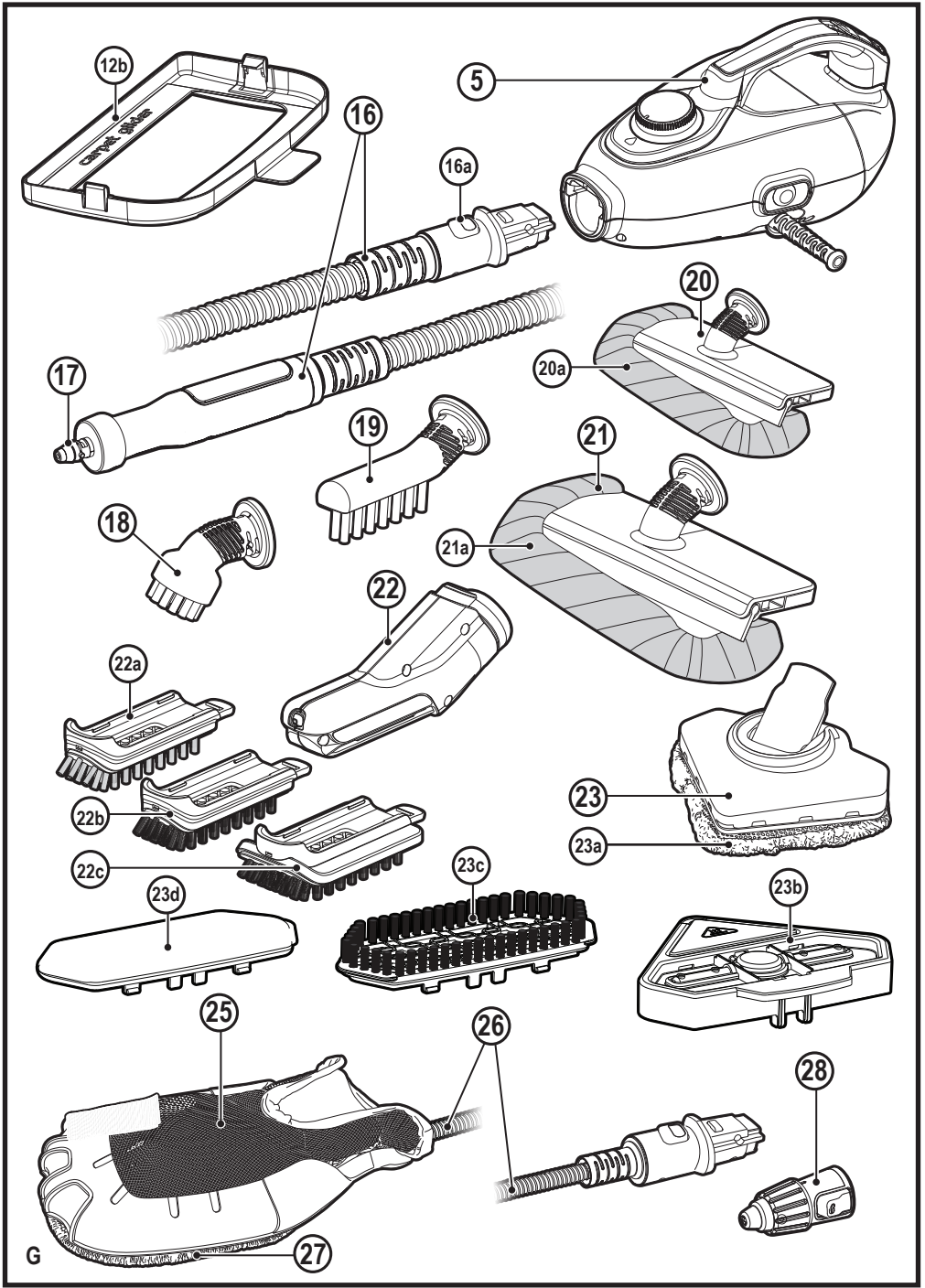


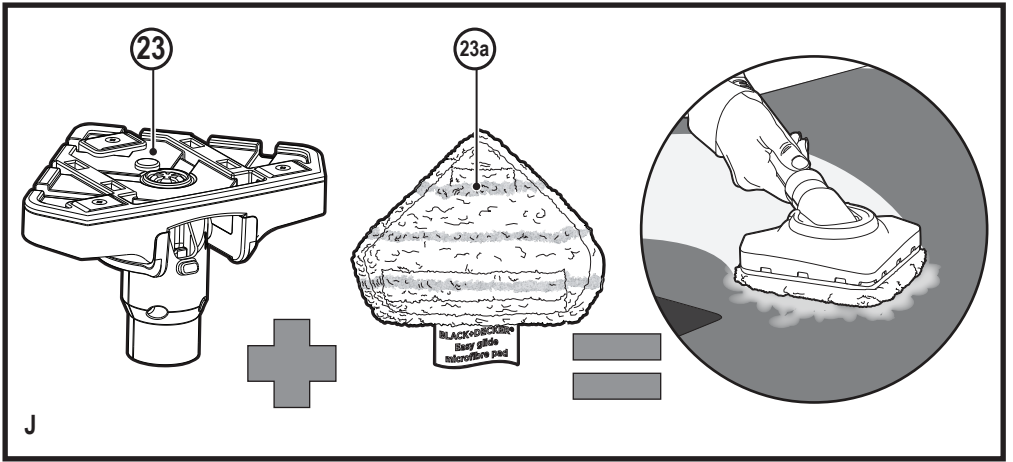
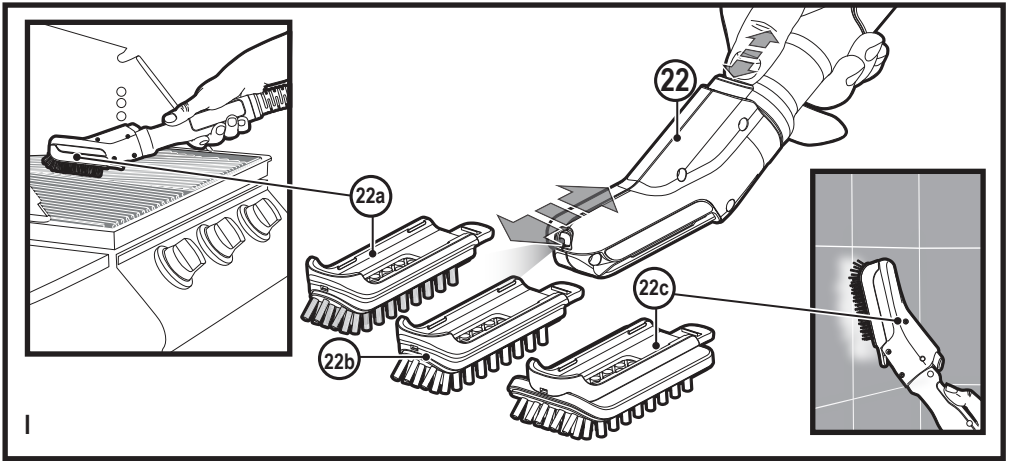
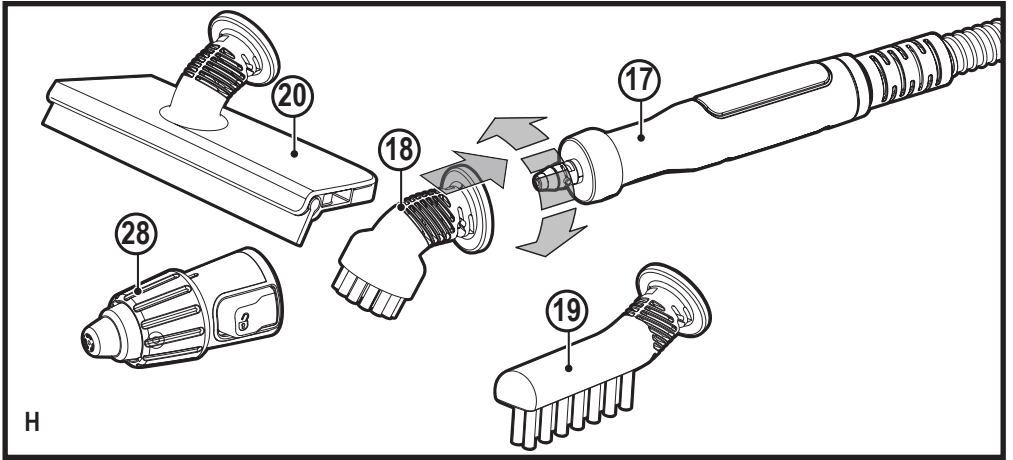
**FSMH1321**  
**FSMH1351SM**  
**FSMH13101SM**  
**FSMH13151SM**  
**FSMH1321J**  
**FSMH1321JSM**  
**FSMH1321JMD**

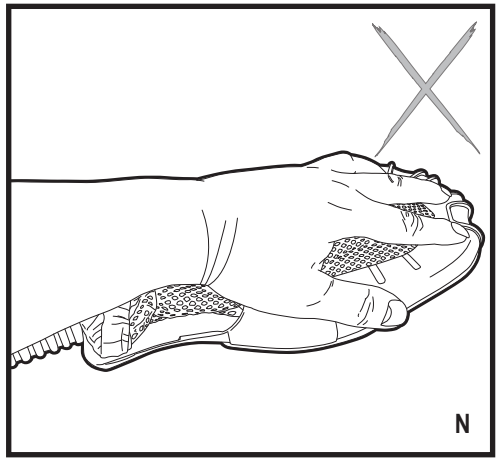
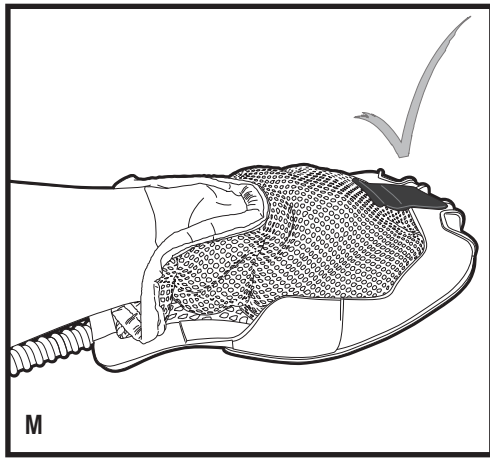
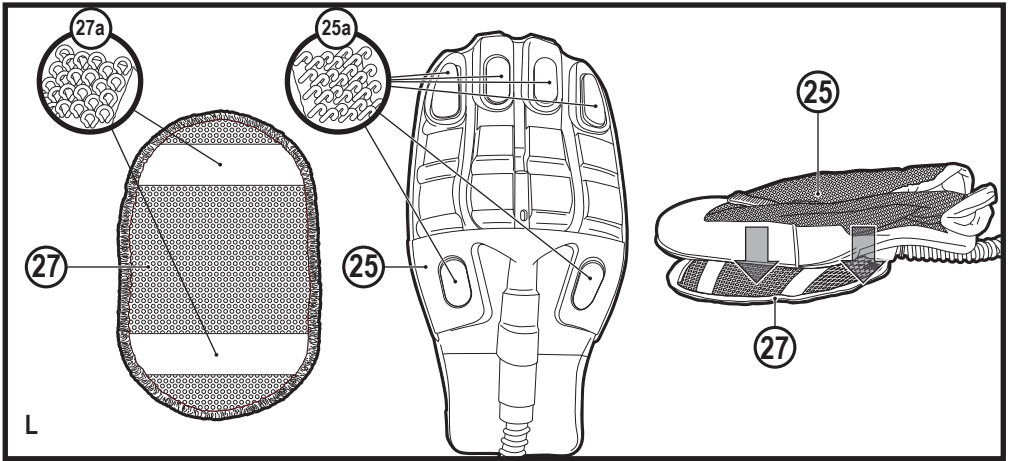
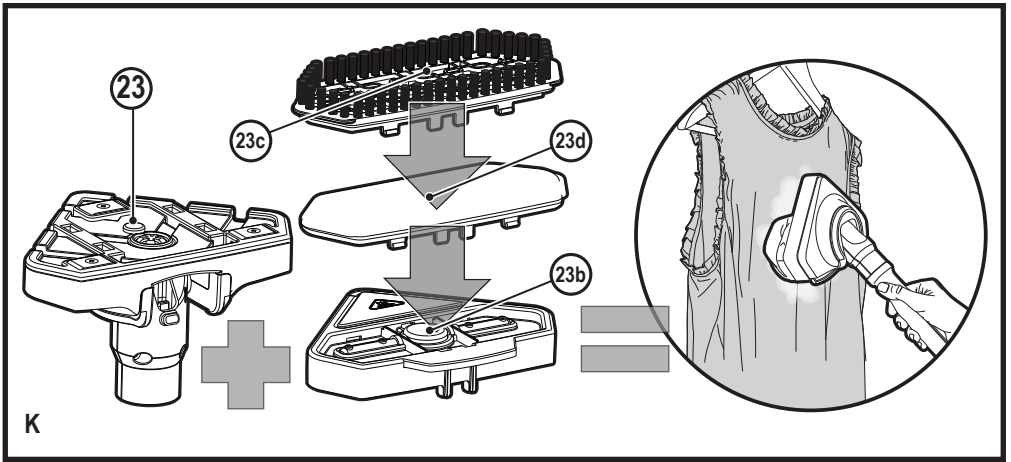
[www.blackanddecker.eu](http://www.blackanddecker.eu)

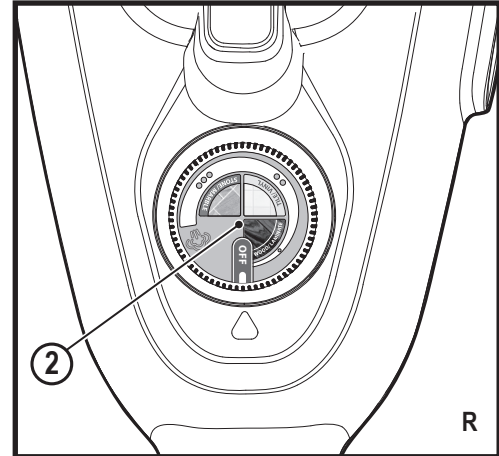
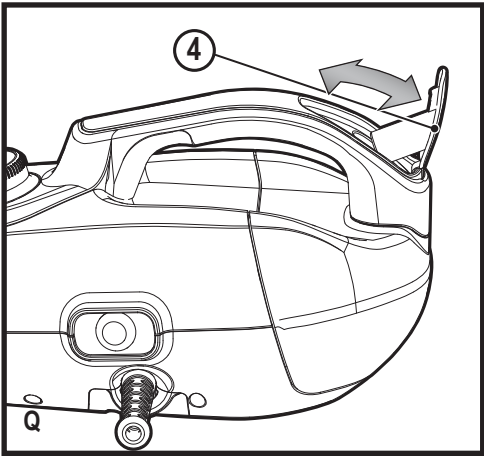
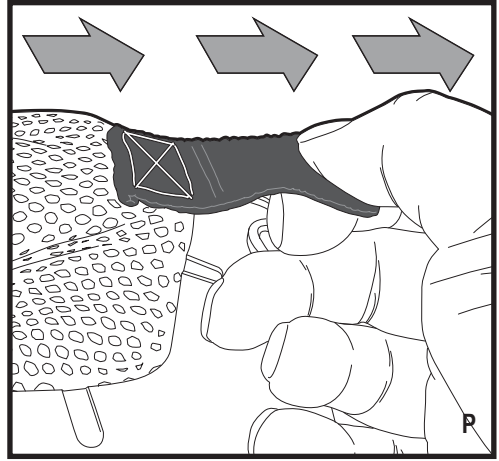
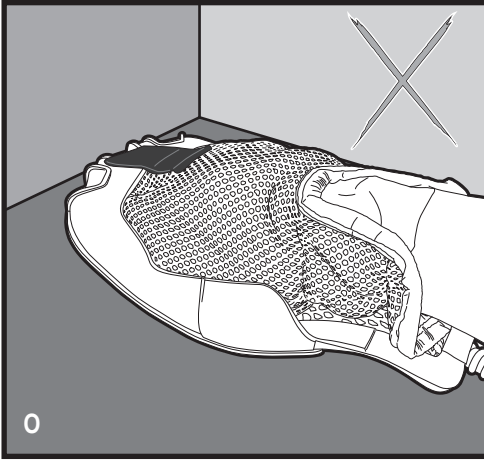




G







### Intended use

Your BLACK+DECKER™ FSMH1321, FSMH13515M, FSMH13101SM, FSMH13151SM, FSMH1321J, FSMH1321JSM, FSMH1321JMD steam mop has been designed for sanitising and cleaning sealed hardwood, sealed laminate, linoleum, vinyl, ceramic tile, stone and marble floors. This appliance is intended for indoor household use only.

### Safety Instructions



**Warning! Read all Safety, Maintenance, Service' manual carefully before operating this appliance.** Read all of this manual carefully before operating this appliance.

### Labels on appliance

The following pictograms along with the date code are shown on the appliance.



**CAUTION** Hot Steam



Water dripping when used upside down



Steam escapes from all sides



Do not leave unsupervised with young children



Hand wash only

## Features

This appliance includes some or all of the following features.

1. On/off switch
2. Autoselect™ dial
3. Hand held steam unit handle
4. Filler cap
5. Hand held steam unit
6. Hand grip
7. Top cable tidy hook
8. Main handle
9. Bottom cable tidy hook
10. Hand held steam unit release button
11. Main body
12. Floor cleaning head
- 12a. Steam burst floor cleaning head
- 12b. Carpet glider  
(for use on carpets)
13. Floor cleaning pad
14. Floor cleaning pad release tab
15. Hanging Bracket
16. Steam hose
17. Steam nozzle
18. Angle brush accessory  
(for use on hard to remove stains)
19. Brush accessory  
(for use on tiles / grout)
20. Squeegee accessory  
(for use on shower screens / glass / mirrors / clothing / upholstery)
- 20a. Squeegee sock
21. Large squeegee accessory  
(for use on shower screens / glass / mirrors / clothing / upholstery)
- 21a. Large squeegee sock
22. Steam burst brush unit
- 22a. Steam burst wire brush  
( for use on BBQ / ovens)
- 22b. Steam burst brush  
( for use on BBQ / ovens / oven hobs / taps / grout)
- 22c. Steam burst wide brush  
(for use on larger work surfaces)
23. Delta head  
(for use on clothing / upholstery / larger work surfaces)
- 23a. Flat surface cleaning pad

- 23b. Garment steaming interface  
(for use on clothing / upholstery)
- 23c. Garment steaming brush  
(for use on clothing / upholstery)
- 23d. Garment steaming pad  
(for use on clothing / upholstery)
24. Fabric and garment steamer pad  
(for use on clothing / upholstery)
25. SteaMitt™
26. SteaMitt™ hose
27. SteaMitt™ cleaning pad
28. Adjustable nozzle

## Configuration

	F S M H 1 3 2 1	F S M H 1 3 5 1 S M	F S H 1 3 1 0 1 S M	F S M H 1 3 1 5 1 S M	F S M H 1 3 1 5 1 S M	F S M H 1 3 2 1 J	F S M H 1 3 2 1 J S M	F S M H 1 3 2 1 J M D	S T E A M I T T I N G S
12	✓	✓	✓	✓	✓	✓	✓	✓	All
12a			✓	✓	✓	✓	✓	✓	All
12b				✓	✓	✓	✓	✓	All
13	✓	✓	✓	✓	✓	✓	✓	✓	All
16	✓	✓	✓	✓	✓	✓	✓	✓	All
18	✓	✓	✓	✓	✓	✓	✓	✓	*
19	✓	✓	✓			✓	✓	✓	...
20	✓	✓	✓	✓	✓	✓	✓	✓	*
20a	✓	✓	✓	✓	✓	✓	✓	✓	*
21									*
21a									*
22				✓	✓				All
22a				✓	✓				All
22b				✓	✓				All
22c				✓	✓				All
23									All
23a									All
23b									*
23c									*
23d									*
24									*
25				✓	✓				N/A
28					✓				ALL

## Assembly



**Warning!** Before attempting any of the following instructions, make sure that the appliance is switched off and unplugged and the appliance is cold and does not contain any water.

### Attaching the handle (Fig. A)

- ◆ Slide the bottom end of the handle (8) into the top end of the steam mop body (11) until it clicks into place.

**Attaching the hand held steam cleaner (Fig. B)**

- ◆ Holding the back of the steam mop body (11) push the hand held steam cleaner (5) firmly into the steam mop body (11) making sure it sits correctly over the interface (11a) and clicks securely into place.

**Removing the hand held steam cleaner (Fig. B)**

- ◆ Push the release button (10) on the main body (11) and lift the hand held steam cleaner (5) off the interface (11a) and away from the main body (11).

**Attaching a cleaning pad (Fig. C)**

Replacement cleaning pads are available from your BLACK+DECKER dealer :- (cat no. FSMP20-XJ).

- ◆ Place a cleaning pad (13) on the floor with the velcro 'loop' side facing up.
- ◆ Lightly press the steam mop down onto the cleaning pad (13).

**Note:** This unit may be supplied with a standard floor cleaning head (12) or a steam burst cleaning head (12a). In either case use these instructions to fit a cleaning pad.

**Caution!** Never leave the steam mop in one spot on any surface for any period of time. Always place the steam mop with the handle (8) supported in the upright position when stationary and make sure the steam mop is turned off when not in use.

**Removing a cleaning pad**

**Caution!** Always wear suitable shoes when changing the cleaning pad on your steam mop.

Do not wear slippers or open toed footwear.

- ◆ Return the handle (8) to the upright position and turn the steam mop 'OFF'.
- ◆ Wait until the steam mop cools down (approximately 5 minutes).
- ◆ Lift the steam mop away from the cleaning pad freeing it from the velcro fastening.

**Caution!** Never leave the steam mop in one spot on any surface for any period of time.

Always place the steam mop with the handle (8) supported in the upright position when stationary and make sure the steam mop is turned off when not in use.

**Filling the water tank (Fig. Q)**

**Note!** Fill the water tank with clean tap water (Do not use any additives or chemicals).

**Note!** In areas of hard water, the use of de-ionised water is recommended.

- ◆ Open the filler cap (4) by flipping it up.
- ◆ Fill the water tank with water (Do not use any additives or chemicals).

**Warning!** When filling, detach from main unit and maintain in a horizontal position.

**Warning!** Your water tank has a 0.5 litre capacity. Do not over fill the tank.

- ◆ Close the filler cap (4).

**Note!** Ensure the filler cap is firmly secured.

**Attaching the carpet glider (12b) (For use on carpets only)**

- ◆ Place the carpet glider (12b) on the floor.
- ◆ Attach a cleaning pad to the floor cleaning head (12)
- ◆ Lightly press the steam mop down onto the carpet glider (12b) until it clicks into place.

**Caution!** Never leave the steam mop in one spot on any surface for any period of time. Always place the steam mop with the handle (8) supported in the upright position when stationary and make sure the steam mop is turned off when not in use.

**Removing the carpet glider**

**Caution!** Always wear suitable shoes when changing the carpet glider on your steam mop. Do not wear slippers or open toed footwear.

- ◆ Return the handle (8) to the upright position and turn the steam mop 'OFF'.
- ◆ Wait until the steam mop cools down (approximately 5 minutes).
- ◆ Place the front of your shoe onto the carpet glider removal tab and press down firmly.
- ◆ Lift the steam mop up and off the carpet glider.

**Caution!** Never leave the steam mop in one spot on any surface for any period of time. Always place the steam mop with the handle (8) supported in the upright position when stationary and make sure the steam mop is turned off when not in use.

**Attaching the hose and accessories to the hand held steam cleaner (Fig. G - O)**

**Warning!** Inspect the seal between the connection point on the hand held steam cleaner (5) and the steam hose (16) before each use. If the seal malfunctions or is damaged, please contact your nearest authorised repair agent. Do not use the appliance.

**Attaching the hose**

- ◆ Press the steam hose release button (16a) on the steam hose (16).
- ◆ Connect the steam hose (16) to the hand held steam cleaner (5) and release the steam hose release button (16a) making sure it clicks into place.

**Important!** Ensure that the steam hose (16) is securely connected to the hand held steam cleaner (5). If steam escapes from the joint, the hose is incorrectly fitted. Switch off, allow the unit to cool then remove and refit the hose.



## Attaching accessories (Fig H)

- ◆ Align the lugs on the steam nozzle (17) with the recesses on the accessory.
- ◆ Press the accessory onto the steam nozzle (17) and twist anti-clockwise until the accessory clicks into place.

**Important!** All accessories, apart from the SteaMitt™ (25) which has its own hose and connector (26), must be attached to the steam hose (16) for use.

## Removing the hose and accessories

**Warning!** The steam hose (16), Steam nozzle (17) and accessories become hot during use. Allow the unit and all accessories to cool before attempting to remove.

## Removing an accessory

- ◆ Twist the accessory clockwise then pull away from the hose (16).

## Removing the hose

- ◆ Press the steam hose release button (16a) on the steam hose (16) and pull away from the hand held steam unit.

## SteaMitt™

Your BLACK+DECKER™ SteaMitt™ has been designed for sanitising and cleaning tiles, work tops, kitchen surfaces and bathroom surfaces. This appliance is intended for indoor household use only.

## Attaching the SteaMitt™ hose to the hand held steam unit

**Warning!** Inspect the seal between the connection point on the hand held steam cleaner (5) and the SteaMitt™ hose (26) before each use. If the seal malfunctions or is damaged, please contact your nearest authorised repair agent. Do not use the appliance.

- ◆ Press the SteaMitt™ hose release button on the SteaMitt™ hose (26).
- ◆ Connect the SteaMitt™ hose (26) to the hand held steam cleaner (5) and release the SteaMitt™ hose release button making sure it clicks into place.

**Important!** Ensure that the SteaMitt™ hose (26) is securely connected to the hand held steam cleaner (5).

If steam escapes from the joint, the hose is incorrectly fitted. Switch off, allow the unit to cool then remove and refit the hose.

## Fitting a cleaning pad to the SteaMitt™ (Fig. L)

- ◆ Fit the cleaning pad (27) to the SteaMitt™ (25) by attaching the 'loop' velcro strips (27a) on the upper side of the cleaning pad, to the 'hook' velcro pads (25a) on the underside of the SteaMitt™ (4). Press down firmly.

**Warning!** The SteaMitt™ should not be used without fitting a cleaning pad.

**Note:** The SteaMitt™ accommodates 3 types of cleaning pads of varying thickness. The thinnest can be used for cleaning 3D forms such as taps etc. The thicker versions can be used for larger flat areas.

⚠ **Warning!** Always use the SteaMitt™ as shown in figure M, with your hand inside the protective glove.

⚠ **Warning!** Never attempt to use the SteaMitt™ by gripping it externally as shown in figure N. This will result in scalding.

⚠ **Warning!** Avoid using the SteaMitt™ in tight corners as shown in figure O.

⚠ **Warning!** Should a problem occur during use, use the quick release tab to quickly remove the SteaMitt™ from your hand as shown in figure P.

⚠ **Warning!** Do not use the SteaMitt™ on cold glass, such as windows as damage may be caused by the sudden change in temperature.

⚠ **Warning!** Never point or direct the mitt at yourself or any other person.

**Note:** Variable steam dial is disconnected when the SteaMitt™ is fitted and subsequently the flow of steam is limited.

## Use

**Important!** This unit will kill 99.9% of bacteria and germs when used in accordance with the instructions in this manual and with the micro fibre pads fitted and a continuous run time of 90 seconds.

## Switching on and off

- ◆ To switch the appliance on, press the ON/Off switch (1). It takes approximately 15 seconds for the steam mop to heat up.
- ◆ To switch the appliance off, press the ON/Off switch (1).

**Note:** always have your hand inside the SteaMitt™ before you press the steam button.

**Caution!** Never leave the steam mop in one spot on any surface for any period of time.

Always place the steam mop with the handle (8) supported in the upright position when stationary and make sure the steam mop is turned off when not in use.




**Caution!** Always empty the steam mop after use.

**Note!** When first filled or after running dry, it can take up to 45 seconds for steam to be produced.

## Autoselect™ Technology (Fig. R)

This steam mop is fitted with an Autoselect™ dial (2) which shows various cleaning applications. They are used to select the correct operating mode for your particular cleaning operation.

Using Autoselect™, choose from one of the following applications by turning the Autoselect™ dial (2) until the required setting is selected.

Setting	Mop	Hand held
	Wood/Laminate	High temperature steam for windows ●
	Stone/Marble	● ●
	Tiles/Vinyl	Low temperature steam for heavy grime ● ● ●

The steam mop will select the correct volume of steam required for your particular cleaning operation.

**Note:** Always check you are using the correct setting before using your steam mop.

### Steam Burst (Fig. C1) (only available with units FSMH1310SM, FSMH13151SM)

The floor head (12a) is equipped with a steam burst pedal to aid in the removal of stubborn marks and stains.

- ◆ During use, press the steam burst pedal to apply extra cleaning power.
- ◆ To revert back to normal setting press the pedal again.

### Hints for optimum use

#### General

**Caution:** Never use the steam mop without first attaching a cleaning pad.

- ◆ Always vacuum or sweep the floor before using the steam mop.
- ◆ The easiest way to use the appliance is to tilt the handle to a 45° angle and clean slowly, covering a small area at a time.
- ◆ Use water only with no additives or chemicals with your steam mop. To remove stubborn stains from vinyl or linoleum floors, you can pre-treat with a mild detergent and some water before using the steam mop.

### Steam Cleaning with the mop

- ◆ Fit hand held steam cleaner (5) to the steam mop body (11)
- ◆ Place a cleaning pad (13) on the floor with the velcro 'loop' side facing up.
- ◆ Lightly press the steam mop down onto the cleaning pad (13).
- ◆ Connect the steam mop to the mains.
- ◆ Press the ON/OFF button (1). It takes approximately 15 seconds for the steam mop to heat up.

- ◆ Turn the Autoselect™ dial (2) until the required setting is reached. After a few seconds steam will start to come out of the steam head.

**Note!** When first filled or after running dry, it can take up to 45 seconds for steam to be produced.

- ◆ It takes a few seconds for steam to enter the cleaning pad. The steam mop will now glide easily over the surface to be sanitized/cleaned.
- ◆ Push and pull the steam mop slowly across the surface to thoroughly steam clean each section.
- ◆ When you have finished using the steam mop, return the handle (8) to the upright position, making sure that it is supported and turn it 'OFF'. Wait until the steam mop cools down (approximately five minutes).

**Caution!** It is important to monitor the water level in the water tank. To refill the water tank and continue to sanitize/clean stand the mop upright making sure that the handle is supported and turn the steam mop 'OFF'. Unplug the unit from the electrical wall outlet, and refill the water tank.

**Caution!** Never leave the steam mop in one spot on any surface for any period of time. Always place the steam mop with the handle (8) supported in the upright position when stationary and make sure the steam mop is turned off when not in use.

### Carpet refreshing

- ◆ Place a cleaning pad (13) on the floor with the 'loop' side facing up.
- ◆ lightly press the steam mop down onto the cleaning pad.
- ◆ Place the carpet glider (12b) on the floor.
- ◆ Lightly press the steam mop down onto the carpet glider until it clicks into place.
- ◆ Connect the steam mop to the mains.
- ◆ Press the ON/OFF button (1). It takes approximately 15 seconds for the steam mop to heat up.
- ◆ Turn the Autoselect™ dial (2) to the Wood/Laminate setting.
- ◆ Push and pull the steam mop slowly across the carpet to thoroughly refresh each section.
- ◆ When you have finished using the steam mop, return the handle (8) to the upright position and turn the unit OFF. Wait until the steam mop cools down (approximately five minutes).

### After use

- ◆ Turn the Autoselect™ dial (2) to the OFF position.
- ◆ Wait until the steam mop cools down.
- ◆ Unplug the steam mop from the electrical wall outlet.
- ◆ Empty the water tank.
- ◆ remove the cleaning pad (13) and wash it ready for next use (take care to follow the wash care instructions printed on the cleaning pad).

- ◆ Wrap the supply cable around the cable tidy hooks (7 and 9).
- ◆ There is a hanging bracket (15) built into the hand grip (6) which allows your steam mop to be hung from a suitable hook on the wall. Always ensure that your wall hook is capable of supporting the weight of the steam mop safely.

### Hand held steam cleaning

**Warning!** Unit will not produce steam unless it is connected to the main body (11) or the steam hose (16) is fitted.

**Warning!** Only use in a horizontal position.

- ◆ Attach the required accessory.
- ◆ Connect the hand held steam cleaner to the mains.
- ◆ Press the ON/OFF button (1). It takes approximately 15 seconds for the steam mop to heat up.
- ◆ Turn the Autoselect™ dial (2) until the required setting is reached. After a few seconds steam will start to come out of the steam head.

**Note!** When first filled or after running dry, it can take up to 45 seconds for steam to be produced.

- ◆ When you have finished using the hand held steam cleaner turn the Autoselect™ dial (2) to the OFF position. Turn the unit OFF by pressing the ON/OFF button (1) and disconnect from the mains supply. Wait until the unit cools down before storing (approximately five minutes).

### Accessories

The performance of your appliance depends on the accessory used. BLACK+DECKER accessories are engineered to high quality standards and designed to enhance the performance of your appliance. By using these accessories you will get the very best from your equipment.

### Technical Data

FSMH1321		
Voltage	V <sub>ac</sub>	230
Power	W	1300
Tank Capacity	ml	500
Weight	kg	2.7
FSMH1351SM		
Voltage	V <sub>ac</sub>	230
Power	W	1300
Tank Capacity	ml	500
Weight	kg	2.7
FSMH1310ISM		
Voltage	V <sub>ac</sub>	230
Power	W	1300
Tank Capacity	ml	500

FSMH1321		
Voltage	V <sub>ac</sub>	230
Power	W	1300
Tank Capacity	ml	500
Weight	kg	2.7
FSMH1351SM		
Voltage	V <sub>ac</sub>	230
Power	W	1300
Tank Capacity	ml	500
Weight	kg	2.7
FSMH1310ISM		
Weight	kg	2.8
FSMH1315ISM		
Voltage	V <sub>ac</sub>	230
Power	W	1300
Tank Capacity	ml	500
Weight	kg	2.8
FSMH1321J		
Voltage	V <sub>ac</sub>	230
Power	W	1300
Tank Capacity	ml	500
Weight	kg	2.7
FSMH1321JSM		
Voltage	V <sub>ac</sub>	230
Power	W	1300
Tank Capacity	ml	500
Weight	kg	2.8
FSMH1321JMD		
Voltage	V <sub>ac</sub>	230
Power	W	1300
Tank Capacity	ml	500
Weight	kg	2.8

### Troubleshooting

If your appliance seems not to operate properly, follow the instructions below. If this does not solve the problem, please contact your local BLACK+DECKER repair agent.

Problem	Step	Possible solution
The steam mop is not turning on	1.	Check the unit is plugged in at the wall socket.
	2.	Check the unit is switched on using the ON/OFF switch (1)
	3.	Check the fuse in the plug.

Problem	Step	Possible solution
The steam mop is not producing steam	4.	The steam mop will only produce steam if the hand held steam cleaner (5) is correctly docked into the main body (11) or the steam hose is fitted or the Autoselect™ is turned to ON
	5.	Check that the water tank is full. <b>Note:</b> When first filled or after running dry it can take up to 45 seconds for steam to be produced.
	6.	Check steps 1, then 2, then 3
The steam mop stops producing steam during use	7.	Check steps 4, then 5, then 3
The steam mop is producing too much steam during use	8.	Turn the Autoselect™ dial (2) anti-clockwise to reduce the amount of steam being produced
The steam mop is producing too little steam during use	9.	Turn the Autoselect™ dial (2) clockwise to increase the amount of steam being produced
No steam is being produced from the hand held steam cleaner	10.	Check that the Autoselect™ dial (2) is at the ON position
	11.	Check steps 5, then 1, then 2, then 3
The hand held steam cleaner is producing too little steam during use	12.	Turn the Autoselect™ dial (2) clockwise to increase the amount of steam being produced
	13.	Check step 5
The hand held steam cleaner is producing too much steam during use	14.	Turn the Autoselect™ dial (2) anti-clockwise to reduce the amount of steam being produced
The accessories keep falling off the unit	15.	Refer to the assembly chapter for correct fitting instructions of all parts and accessories
Steam is escaping from unexpected areas of the unit	16.	Refer to the assembly chapter for correct fitting instructions of all parts and accessories
Where can I get further information/ accessories	17.	<a href="http://www.blackanddecker.co.uk/steam mop">www.blackanddecker.co.uk/steam mop</a> <a href="http://www.blackanddecker.ie/steam mop">www.blackanddecker.ie/steam mop</a>

### Verwendungszweck

Ihr BLACK+DECKER™ FSMH1321, FSMH13515M, FSMH13101SM, FSMH13151SM, FSMH1321J, FSMH1321JSM, FSMH1321JMD Dampfreiniger wurde zum hygienischen Säubern von Bodenbelägen aus versiegeltem Hartholz, Laminat, Linoleum, PVC, Keramikfliesen, Stein und Marmor entwickelt. Dieses Gerät darf nur im Innenbereich verwendet werden und ist nicht für den gewerblichen Einsatz vorgesehen.

### Sicherheitshinweise

**Warnung! Lesen Sie die Anleitung "Sicherheit, Pflege und Wartung" vollständig und aufmerksam durch, bevor Sie das Gerät verwenden. Lesen Sie diese Anleitung vollständig und aufmerksam durch, bevor Sie dieses Gerät verwenden.**



### Warnsymbole am Gerät

Folgende Piktogramme sowie der Datumcode befinden sich auf dem Gerät.



VORSICHT Heißer Dampf



Wasser tropft, wenn das Gerät umgedreht verwendet wird



Dampf entweicht von allen Seiten



Lassen Sie kleine Kinder nicht unbeaufsichtigt



Nur Handwäsche

### Merkmale

Dieses Gerät verfügt über einige oder alle der folgenden Merkmale:

1. Ein-/Aus-Schalter
2. Autoselect™-Programmwahl
3. Griff des Handdampfreinigers
4. Verschlusskappe
5. Handdampfreiniger
6. Handgriff
7. Obere Kabelhalterung
8. Haupthandgriff
9. Untere Kabelhalterung
10. Freigabetaste des Handdampfreinigers
11. Hauptteil
12. Bodenreinigungsdüse
- 12a. Dampfstoß-Bodenreinigungsdüse

- 12b. Teppichgleiter  
(für Teppiche)
13. Bodenreinigungstuch
14. Freigabelasche für Bodenreinigungstuch
15. Aufhängevorrichtung
16. Dampfschlauch
17. Dampfdüse
18. Winkelbürstenzubehör  
(für schwer entfernbare Flecken)
19. Bürstenzubehör  
(für Fliesen/Mörtel)
20. Gummiabzieher  
(für Duschwände/Glas/Spiegel/Bekleidung/Polster)
- 20a. Hülle für Gummiabzieher
21. Großer Gummiabzieher  
(für Duschwände/Glas/Spiegel/Bekleidung/Polster)
- 21a. Hülle für großen Gummiabzieher
22. Dampfstoß-Bürsteneinheit
- 22a. Dampfstoß-Drahtbürste  
(für Grills/Öfen)
- 22b. Dampfstoß-Bürste  
(Für Grills/Öfen/Kochfelder/Wasserhähne/Mörtel)
- 22c. Breite Dampfstoß-Bürste  
(für größere Arbeitsflächen)
23. Delta-Kopf  
(für Kleidung/Polster/größere Arbeitsflächen)
- 23a. Flaches Oberflächenreinigungstuch
- 23b. Schnittstelle zum Dämpfen von Kleidung  
(für Kleidung/Polster)
- 23c. Dampfbürste für Kleidung  
(für Kleidung/Polster)
- 23d. Dampfkissen für Kleidung  
(für Kleidung/Polster)
24. Dampfkissen für Stoff und Kleidung  
(für Kleidung/Polster)
25. SteaMitt™
26. SteaMitt™-Schlauch
27. SteaMitt™-Reinigungstuch
28. Einstellbare Düse

## Konfiguration

	F S M H 1 3 2 1	F S M H 1 3 5 1	F S H 1 3 0 1	F S M H 1 3 1 5	F S M H 1 3 1 5	F S M H 1 2 1 1	F S M H 1 2 2 1	F S M H 1 2 2 1	S E T T I N G S
12	✓	✓	✓	✓	✓	✓	✓	✓	Alle
12a			✓	✓	✓	✓	✓	✓	Alle
12b				✓	✓	✓	✓	✓	Alle
13	✓	✓	✓	✓	✓	✓	✓	✓	Alle
16	✓	✓	✓	✓	✓	✓	✓	✓	Alle
18	✓	✓		✓	✓	✓	✓	✓	*
19	✓	✓	✓			✓	✓	✓	***
20	✓	✓	✓	✓	✓	✓	✓	✓	*
20a	✓	✓	✓	✓	✓	✓	✓	✓	*
21									*
21a									*
22				✓	✓				Alle
22a				✓	✓				Alle
22b				✓	✓				Alle
22c				✓	✓				Alle
23									Alle
23a									Alle
23b									*
23c									*
23d									*
24									*
25				✓	✓				NV
28					✓				ALLE

## Montage



Warnung! Vergewissern Sie sich vor Ausführung der folgenden Schritte, dass das Gerät ausgeschaltet ist und der Netzstecker gezogen wurde. Weiterhin muss das Gerät abgekühlt sein und darf kein Wasser enthalten.

## Anbringen des Griffs (Abb. A)

- ◆ Schieben Sie das untere Ende des Griffs (8) in die obere Öffnung des Gerätegehäuses (11), bis dieser einrastet.

### Anbringen des Handdampfreiniger (Abb. B)

- ◆ Halten Sie das Gerät an der Rückseite des Gerätegehäuses (11) fest, drücken Sie den Handdampfreiniger (5) fest auf das Gerätegehäuse (11), bis er genau über der Schnittstelle (11a) sitzt und fest einrastet.

### Abnehmen des Handdampfreiniger (Abb. B)

- ◆ Drücken Sie die Freigabetaste (10) am Hauptteil (11) und heben Sie den Handdampfreiniger (5) von der Schnittstelle (11a) und vom Hauptteil (11) ab.

### Anbringen eines Reinigungstuchs (Abb. C)

Ersatztücher erhalten Sie im BLACK+DECKER Fachhandel: – (Katalognr. FSMP20-XJ).

- ◆ Legen Sie ein Reinigungstuch (13) mit den Klettverschlüssen nach oben auf den Boden.
- ◆ Drücken Sie den Dampfreiniger vorsichtig auf das Reinigungstuch (13).

**Hinweis:** Dieses Gerät kann mit einer Standard-Bodenreinigungsdüse (12) oder einem Dampfstoß-Reinigungsdüse (12a) geliefert werden. Bringen Sie in beiden Fällen das Reinigungstuch gemäß dieser Anweisungen an.

**Achtung!** Stellen Sie den Dampfreiniger – ungeachtet der jeweiligen Oberfläche – keinesfalls längere Zeit an einer Stelle ab. Stellen Sie den Dampfreiniger stets mit dem abgestützten Griff (8) in aufrechter Stellung ab. Stellen Sie sicher, dass der Dampfreiniger ausgeschaltet ist, wenn dieser nicht verwendet wird.

### Entfernen eines Reinigungstuchs

**Achtung!** Tragen Sie beim Wechseln des Reinigungstuchs stets zweckmäßiges Schuhwerk.

Tragen Sie keine Hausschuhe oder Sandalen.

- ◆ Bewegen Sie den Griff (8) in die aufrechte Stellung, und schalten Sie den Dampfreiniger aus.
- ◆ Warten Sie, bis der Dampfreiniger abgekühlt ist, bevor Sie diesen verstauen (etwa 5 Minuten).
- ◆ Heben Sie den Dampfreiniger vom Reinigungstuch und lösen Sie ihn so von dem Klettverschluss.

**Achtung!** Stellen Sie den Dampfreiniger – ungeachtet der jeweiligen Oberfläche – keinesfalls längere Zeit an einer Stelle ab.

Stellen Sie den Dampfreiniger stets mit dem abgestützten Griff (8) in aufrechter Stellung ab. Stellen Sie sicher, dass der Dampfreiniger ausgeschaltet ist, wenn dieser nicht verwendet wird.

### Füllen des Wassertanks (Abb. Q)

**Hinweis!** Füllen Sie den Wassertank mit sauberem Leitungswasser. (Verwenden Sie keine Zusatzstoffe oder Chemikalien.)

**Hinweis!** In Regionen mit kalkhaltigem Wasser wird die Verwendung von destilliertem Wasser empfohlen.

- ◆ Öffnen Sie die Verschlusskappe (4), indem Sie diese nach oben klappen.
- ◆ Füllen Sie den Wassertank mit Leitungswasser. (Verwenden Sie keine Zusatzstoffe oder Chemikalien.)

**Warnung!** Nehmen Sie den Tank beim Füllen vom Hauptgerät ab und halten Sie ihn waagrecht.

**Warnung!** Der Tank hat eine Kapazität von 0.5 l. Überfüllen Sie den Tank nicht.

- ◆ Schließen Sie die Verschlusskappe (4).

**Hinweis!** Stellen Sie sicher, dass die Verschlusskappe fest sitzt.

### Anbringen des Teppichgleiters (Abb. 12b) (nur für Teppiche)

- ◆ Legen Sie den Teppichgleiter (12b) auf den Boden.
- ◆ Bringen Sie ein Reinigungstuch an der Bodenreinigungsdüse (12) an.
- ◆ Drücken Sie den Dampfreiniger vorsichtig auf den Teppichgleiter (12b), bis dieser einrastet.

**Achtung!** Stellen Sie den Dampfreiniger – ungeachtet der jeweiligen Oberfläche – keinesfalls längere Zeit an einer Stelle ab. Stellen Sie den Dampfreiniger stets mit dem abgestützten Griff (8) in aufrechter Stellung ab. Stellen Sie sicher, dass der Dampfreiniger ausgeschaltet ist, wenn dieser nicht verwendet wird.

### Entfernen des Teppichgleiters

**Achtung!** Tragen Sie beim Wechseln des Teppichgleiters stets zweckmäßiges Schuhwerk. Tragen Sie keine Hausschuhe oder Sandalen.

- ◆ Bewegen Sie den Griff (8) in die aufrechte Stellung, und schalten Sie den Dampfreiniger aus.
- ◆ Warten Sie, bis der Dampfreiniger abgekühlt ist, bevor Sie diesen verstauen (etwa 5 Minuten).
- ◆ Drücken Sie die Lasche zum Entfernen des Teppichgleiters mit einer Spitze Ihres Schuhs fest nach unten.
- ◆ Heben Sie den Dampfreiniger vom Teppichgleiter ab.

**Achtung!** Stellen Sie den Dampfreiniger – ungeachtet der jeweiligen Oberfläche – keinesfalls längere Zeit an einer Stelle ab. Stellen Sie den Dampfreiniger stets mit dem abgestützten Griff (8) in aufrechter Stellung ab. Stellen Sie sicher, dass der Dampfreiniger ausgeschaltet ist, wenn dieser nicht verwendet wird.

### Anbringen des Schlauchs und Zubehörs am Handdampfreiniger (Abb. G - O)

**Warnung!** Überprüfen Sie vor jedem Gebrauch die Dichtung zwischen dem Verbindungspunkt am Handdampfreiniger (5) und dem Dampfschlauch (16).

Wenden Sie sich an eine Vertragswerkstatt in Ihrer Nähe, wenn die Dichtung nicht funktioniert oder beschädigt ist. Das Gerät darf nicht weiter verwendet werden.

### Anbringen des Schlauches

- ◆ Drücken Sie die Freigabetaste des Dampfschlauchs (16a) am Dampfschlauch (16).
- ◆ Schließen Sie den Dampfschlauch (16) am Handdampfreiniger (5) an, lassen Sie die Freigabetaste des Dampfschlauchs (16a) los und achten Sie darauf, dass sie einrastet.

**Wichtig!** Stellen Sie vor der Verwendung des Handdampfreinigers sicher, dass der Dampfschlauch (16) ordnungsgemäß am Handdampfreiniger (5) angebracht ist. Wenn aus der Verbindungsstelle Dampf entweicht, ist der Schlauch falsch montiert. Schalten Sie das Gerät aus, warten Sie, bis es abgekühlt ist, und bringen Sie den Schlauch wieder an.

### Anbringen von Zubehörteilen (Abb. H)

- ◆ Richten Sie die Halterungen am Dampfdüse (17) an den Aussparungen am Zubehörteil aus.
- ◆ Drücken Sie das Zubehörteil auf den Schlauch (17), und drehen Sie das Zubehörteil entgegen dem Uhrzeigersinn, bis dieses einrastet.

**Wichtig!** Sämtliches Zubehör außer dem SteaMitt™ (25), der einen eigenen Schlauch und ein eigenes Verbindungsstück (26) besitzt, muss vor Gebrauch mit dem Dampfschlauch (16) verbunden werden.

### Entfernen des Schlauchs und Zubehörs

**Warnung!** Der Dampfschlauch (16), die Dampfdüse (17) und die Zubehörteile werden bei Betrieb heiß. Warten Sie , bis das Gerät und alle Zubehörteile abgekühlt sind, bevor Sie versuchen, Teile abzunehmen.

### Entfernen von Zubehörteilen

- ◆ Drehen Sie das Zubehörteil im Uhrzeigersinn und ziehen Sie es vom Schlauch (16) ab.

### Entfernen des Schlauchs

- ◆ Drücken Sie die Freigabetaste für den Dampfschlauch (16a) am Dampfschlauch (16) und ziehen Sie ihn vom Handdampfreiniger weg.

### SteaMitt™

Ihr BLACK+DECKER™ SteaMitt™ wurde zum Desinfizieren und Reinigen von Fliesen, Arbeitsflächen, Küchen und Badezimmern entwickelt. Dieses Gerät darf nur im Innenbereich verwendet werden und ist nicht für den gewerblichen Einsatz vorgesehen.

### Anbringen des SteaMitt™-Schlauchs am Handdampfreiniger

**Warnung!** Überprüfen Sie vor jedem Gebrauch die Dichtung zwischen dem Verbindungspunkt am Handdampfreiniger (5) und dem SteaMitt™-Schlauch (26). Wenden Sie sich an eine Vertragswerkstatt in Ihrer Nähe, wenn die Dichtung nicht funktioniert oder beschädigt ist. Das Gerät darf nicht weiter verwendet werden.

- ◆ Drücken Sie die Freigabetaste für den SteaMitt™-Schlauch am SteaMitt™-Schlauch (26).
- ◆ Schließen Sie den SteaMitt™-Schlauch (26) am Handdampfreiniger (5) an und lassen Sie die Freigabetaste des SteaMitt™-Schlauchs los und achten Sie darauf, dass sie einrastet.

**Wichtig!** Stellen Sie vor der Verwendung des Handdampfreinigers (5) sicher, dass der SteaMitt™-Schlauch (26) ordnungsgemäß angebracht ist. Wenn aus der Verbindungsstelle Dampf entweicht, ist der Schlauch falsch montiert. Schalten Sie das Gerät aus, warten Sie, bis es abgekühlt ist, und bringen Sie den Schlauch wieder an.

### Anbringen eines Reinigungstuchs am SteaMitt™ (Abb. L)

- ◆ Bringen Sie das Reinigungstuch (27) am SteaMitt™ (25) an, indem Sie die Klettverschlüsse (27a) oben am Reinigungstuch mit den Klettverschlüssen (25a) an der Unterseite des SteaMitt™ (4) verbinden. Drücken Sie diese gut fest.

**Warnung!** Der SteaMitt™ sollte nur mit angebrachtem Reinigungstuch verwendet werden.

**Hinweis:** Am SteaMitt™ können 3 verschieden dicke Reinigungstücher angebracht werden. Das dünnste eignet sich zur Reinigung von 3D-Formen wie Wasserhähne usw. Die dickeren eignen sich gut für größere ebene Flächen.

⚠ **Warnung!** Verwenden Sie den SteaMitt™ ausschließlich wie in Abbildung M gezeigt, d.h. mit der Hand im Schutzhandschuh.

⚠ **Warnung!** Versuchen Sie niemals, den SteaMitt™ zu verwenden, indem Sie ihn wie in Abbildung N gezeigt von außen greifen. Es droht die Gefahr von Verbrühungen.

⚠ **Warnung!** Vermeiden Sie die Verwendung des SteaMitt™ an engen Stellen, wie in Abbildung O gezeigt.

⚠ **Warnung!** Sollte ein Problem bei der Verwendung auftreten, verwenden Sie die Lasche mit Schnellspannung, um den SteaMitt™ schnell von der Hand zu lösen, siehe Abbildung P.

**Warnung!** Verwenden Sie den SteaMitt™ nicht auf kaltem Glas, z.B. an Fenstern, da dies zu Schäden durch die plötzliche Temperaturänderung führen kann.



**Warnung!** Richten Sie den Dampfreiniger niemals auf sich selbst oder andere Personen.



**Hinweis:** Der verstellbare Dampfstrahlregler wird getrennt, wenn der SteaMitt™ angebracht wird, daher ist der Dampfstoß eingeschränkt.

**Verwendung**

**Wichtig!** Mit diesem Gerät können 99,9 % der Bakterien und Keime abgetötet werden, wenn es gemäß der Anweisungen in diesem Handbuch mit dem Mikrofasertuch und mindestens 90 Sekunden lang verwendet wird.

**Ein- und Ausschalten**

- ◆ Zum Einschalten des Geräts drücken Sie den Ein-/Aus-Schalter (1). Der Dampfreiniger benötigt zum Erreichen der Betriebstemperatur ca. 15 Sekunden.
- ◆ Drücken Sie den Ein-/Aus-Schalter (1), um das Gerät auszuschalten.

**Hinweis:** Stecken Sie immer die Hand in den SteaMitt™, bevor Sie die Dampfaste drücken.

**Achtung!** Stellen Sie den Dampfreiniger – ungeachtet der jeweiligen Oberfläche – keinesfalls längere Zeit an einer Stelle ab. Stellen Sie den Dampfreiniger stets mit dem abgestützten Griff (8) in aufrechter Stellung ab. Stellen Sie sicher, dass der Dampfreiniger ausgeschaltet ist, wenn dieser nicht verwendet wird.

**Achtung!** Leeren Sie den Dampfreiniger nach jedem Gebrauch.

**Hinweis!** Nach dem ersten Befüllen oder nachdem der Tank vollständig leer war, kann es bis zu 45 Sekunden dauern, bis Dampf erzeugt wird.

**Autoselect™-Technologie (Abb. R)**

Dieser Dampfreiniger ist mit einer Autoselect™-Programmwahl (2) für unterschiedliche Reinigungsanwendungen ausgestattet. Die Programmwahl dient zum Auswählen des richtigen Betriebsmodus für die entsprechende Reinigungsanwendung.

Wählen Sie über Autoselect™ eine der folgenden Anwendungen aus, indem Sie den Autoselect™-Regler (2) drehen, bis die gewünschte Einstellung angezeigt wird.

Einstellung	Mopp	Handgerät
	Holz/Laminat	Hochtemperaturdampf für Fenster ●

	Stein/Marmor	● ●
	Fliessen/PVC	Niedertemperaturdampf für hartnäckigen Schmutz ● ● ●

Der richtige Dampfstoß für die entsprechende Reinigungsanwendung wird vom Dampfreiniger automatisch ausgewählt.

**Hinweis:** Überprüfen Sie vor dem Verwenden des Dampfreinigers stets, ob die richtige Einstellung ausgewählt ist.

**Dampfstoß (Abb. C1) (nur verfügbar bei den Modellen FSMH1310SM, FSMH13151SM)**

Die Parkettdüse (12a) ist mit einem Dampfstoßpedal ausgestattet, mit dem Sie auch hartnäckige Flecken entfernen können.

- ◆ Wenn Sie bei der Verwendung das Dampfstoßpedal drücken, wird die Reinigungsleistung verstärkt.
- ◆ Um das Pedal wieder in die Ausgangsstellung zu bringen, drücken Sie es erneut.

**Hinweise für optimale Arbeitsergebnisse**

**Allgemeines**

**Vorsicht:** Verwenden Sie den Dampfreiniger keinesfalls ohne Reinigungstuch.

- ◆ Reinigen Sie den Boden vor der Verwendung des Dampfreinigers stets mit einem Staubsauger bzw. einem Besen.
- ◆ Das Gerät lässt sich am einfachsten verwenden, wenn Sie den Griff in einem Winkel von 45° Grad neigen und jeweils nur eine kleine Fläche bearbeiten.
- ◆ Verwenden Sie den Dampfreiniger nur mit Wasser ohne Zusätze oder Chemikalien. Hartnäckige Flecken auf PVC- oder Linoleumböden können mit einem milden Reinigungsmittel und Wasser vorbehandelt werden, um die Arbeit mit dem Dampfreiniger zu erleichtern.

**Dampfreinigung mit dem Mopp**

- ◆ Bringen Sie den Handdampfreiniger (5) am Gerätegehäuse (11) an.
- ◆ Legen Sie ein Reinigungstuch (13) mit den Klettverschlüssen nach oben auf den Boden.
- ◆ Drücken Sie den Dampfreiniger vorsichtig auf das Reinigungstuch (13).
- ◆ Schließen Sie den Dampfreiniger an die Stromversorgung an.
- ◆ Drücken Sie den Ein-/Aus-Schalter (1). Der Dampfreiniger benötigt zum Erreichen der Betriebstemperatur ca. 15 Sekunden.



- ◆ Stellen Sie die Autoselect™-Programmwahl (2) auf die gewünschte Einstellung. Nach wenigen Sekunden tritt Dampf aus dem Reinigungskopf aus.

**Hinweis!** Nach dem ersten Befüllen oder nachdem der Tank vollständig leer war, kann es bis zu 45 Sekunden dauern, bis Dampf erzeugt wird.

- ◆ Es dauert einige Sekunden, bis der Dampf das Reinigungstuch durchdringt. Anschließend gleitet der Dampfreiniger mühelos über die zu reinigende Oberfläche.
- ◆ Bewegen Sie den Dampfreiniger langsam über die Oberfläche, um alle Bereiche gründlich zu reinigen.
- ◆ Wenn Sie mit der Arbeit mit dem Dampfreiniger fertig sind, stellen Sie den Griff (8) in die aufrechte Position, so dass er abgestützt wird, und schalten Sie das Gerät AUS. Warten Sie, bis der Dampfreiniger abgekühlt ist, bevor Sie diesen verstauen (etwa fünf Minuten).

**Achtung!** Achten Sie stets auf den Wasserpegel im Tank. Bewegen Sie den Dampfreiniger in die aufrechte Stellung, so dass der Griff abgestützt ist, und schalten Sie das Gerät aus, um den Wassertank aufzufüllen und mit dem Reinigen fortzufahren. Trennen Sie das Gerät von der Stromversorgung und befüllen Sie den Wassertank.

**Achtung!** Stellen Sie den Dampfreiniger – ungeachtet der jeweiligen Oberfläche – keinesfalls längere Zeit an einer Stelle ab. Stellen Sie den Dampfreiniger stets mit dem abgestützten Griff (8) in aufrechter Stellung ab. Stellen Sie sicher, dass der Dampfreiniger ausgeschaltet ist, wenn dieser nicht verwendet wird.

## Behandeln von Teppichböden

- ◆ Legen Sie ein Reinigungstuch (13) mit den Klettverschlüssen nach oben auf den Boden.
- ◆ Drücken Sie den Dampfreiniger vorsichtig auf das Reinigungstuch.
- ◆ Legen Sie den Teppichgleiter (12b) auf den Boden.
- ◆ Drücken Sie den Dampfreiniger vorsichtig auf den Teppichgleiter, bis dieser einrastet.
- ◆ Schließen Sie den Dampfreiniger an die Stromversorgung an.
- ◆ Drücken Sie den Ein-/Aus-Schalter (1). Der Dampfreiniger benötigt zum Erreichen der Betriebstemperatur ca. 15 Sekunden.
- ◆ Drehen Sie die Autoselect™-Programmwahl (2) auf die Stellung für Holz/Laminat.
- ◆ Bewegen Sie den Dampfreiniger langsam über den Teppich, um alle Bereiche gründlich zu behandeln.
- ◆ Wenn Sie mit der Arbeit mit dem Dampfreiniger fertig sind, stellen Sie den Griff (8) wieder in die aufrechte Position und schalten Sie das Gerät AUS. Warten Sie, bis der Dampfreiniger abgekühlt ist, bevor Sie diesen verstauen (etwa fünf Minuten).

## Nach dem Gebrauch

- ◆ Stellen Sie die Autoselect™-Programmwahl (2) in die Position 'OFF' (AUS).
- ◆ Warten Sie, bis der Dampfreiniger abgekühlt ist, bevor Sie diesen verstauen.
- ◆ Ziehen Sie den Netzstecker.
- ◆ Leeren Sie den Wassertank.
- ◆ Entfernen Sie das Reinigungstuch (13) und waschen Sie es, damit es für den nächsten Einsatz bereit ist. (Beachten Sie die Pflegehinweise auf dem Reinigungstuch.)
- ◆ Wickeln Sie das Netzkabel um die dafür vorgesehenen Halterungen (7 und 9).
- ◆ Der Handgriff (6) verfügt über eine Öse (15), mit der der Dampfreiniger an einem geeigneten Wandhaken aufgehängt werden kann. Achten Sie darauf, dass der Haken ausreichend tragfähig ist, um das Gewicht des Dampfreinigers sicher zu halten.

## Verwenden des Handdampfreinigers

**Warnung!** Das Gerät gibt keinen Dampf aus, wenn es nicht mit dem Hauptteil (11) oder dem Dampfschlauch (16) verbunden ist.

**Warnung!** Verwenden Sie ihn nur in horizontaler Position.

- ◆ Bringen Sie das gewünschte Zubehörteil an.
- ◆ Stecken Sie den Netzstecker des Handdampfreinigers ein.
- ◆ Drücken Sie den Ein-/Aus-Schalter (1). Der Dampfreiniger benötigt zum Erreichen der Betriebstemperatur ca. 15 Sekunden.
- ◆ Stellen Sie die Autoselect™-Programmwahl (2) auf die gewünschte Einstellung. Nach wenigen Sekunden tritt Dampf aus dem Reinigungskopf aus.

**Hinweis!** Nach dem ersten Befüllen oder nachdem der Tank vollständig leer war, kann es bis zu 45 Sekunden dauern, bis Dampf erzeugt wird.

- ◆ Wenn Sie mit der Arbeit mit dem Handdampfreiniger fertig sind, stellen Sie die Autoselect™-Programmwahl (2) in die Position 'OFF' (AUS). Schalten Sie das Gerät aus, indem Sie den Ein-/Aus-Schalter (1) drücken und den Netzstecker aus der Steckdose ziehen. Warten Sie, bis das Gerät abgekühlt ist, bevor Sie es verstauen (ca. fünf Minuten).

## Zubehör

Das verwendete Zubehör hat wesentlichen Einfluss auf die Leistung des Geräts. Zubehörteile von BLACK+DECKER erfüllen höchste Qualitätsstandards und wurden speziell für die Verwendung mit Ihrem Gerät entwickelt. Bei Verwendung dieses Zubehörs erhalten Sie stets optimale Ergebnisse.

## Technische Daten

FSMH1321		
Spannung	V <sub>AC</sub>	230
Elektrowerkzeuge	W	1300
Fassungsvermögen des Tanks	ml	500
Gewicht	kg	2,7
FSMH1351SM		
Spannung	V <sub>AC</sub>	230
Elektrowerkzeuge	W	1300
Fassungsvermögen des Tanks	ml	500
Gewicht	kg	2,7
FSMH13101SM		
Spannung	V <sub>AC</sub>	230
Elektrowerkzeuge	W	1300
Fassungsvermögen des Tanks	ml	500
Gewicht	kg	2,8
FSMH13151SM		
Spannung	V <sub>AC</sub>	230
Elektrowerkzeuge	W	1300
Fassungsvermögen des Tanks	ml	500
Gewicht	kg	2,8
FSMH1321J		
Spannung	V <sub>AC</sub>	230
Elektrowerkzeuge	W	1300
Fassungsvermögen des Tanks	ml	500
Gewicht	kg	2,7
FSMH1321JSM		
Spannung	V <sub>AC</sub>	230
Elektrowerkzeuge	W	1300
Fassungsvermögen des Tanks	ml	500
Gewicht	kg	2,8
FSMH1321JMD		
Spannung	V <sub>AC</sub>	230
Elektrowerkzeuge	W	1300
Fassungsvermögen des Tanks	ml	500
Gewicht	kg	2,8

## Fehlerbehebung

Wenn das Gerät nicht richtig zu funktionieren scheint, befolgen Sie die nachfolgenden Hinweise. Sollte sich das Problem nicht beheben lassen, wenden Sie sich an eine BLACK+DECKER Vertragswerkstatt in Ihrer Nähe.

Problem	Schritt	Mögliche Lösung
Der Dampfreiniger lässt sich nicht einschalten	1.	Überprüfen Sie, ob der Stecker in der Steckdose steckt.
	2.	Prüfen Sie, ob das Gerät mit dem Ein-/Aus-Schalter (1) eingeschaltet wurde.
	3.	Prüfen Sie die Sicherung im Stecker.
Der Dampfreiniger erzeugt keinen Dampf	4.	Der Dampfreiniger erzeugt nur Dampf, wenn der Handdampfreiniger (5) richtig in das Hauptteil (11) eingesteckt oder der Dampfschlauch angebracht wurde oder wenn die Autoselect™-Programmwahl auf ON (EIN) steht.
	5.	Überprüfen Sie, ob der Wassertank voll ist. <b>Hinweis:</b> Nach dem ersten Befüllen oder nachdem der Tank vollständig leer war, kann es bis zu 45 Sekunden dauern, bis Dampf erzeugt wird.
	6.	Überprüfen Sie Schritt 1, dann 2, dann 3.
Der Dampfreiniger hört während der Verwendung mit der Dampferzeugung auf.	7.	Überprüfen Sie Schritt 4, dann 5, dann 3.
Der Dampfreiniger erzeugt bei der Verwendung zu viel Dampf.	8.	Drehen Sie die Autoselect™-Programmwahl (2) gegen den Uhrzeigersinn, um die Menge an erzeugtem Dampf zu reduzieren.
Der Dampfreiniger erzeugt bei der Verwendung zu wenig Dampf.	9.	Drehen Sie die Autoselect™-Programmwahl (2) im Uhrzeigersinn, um die Menge an erzeugtem Dampf zu erhöhen.
Der Handdampfreiniger erzeugt keinen Dampf.	10.	Überprüfen Sie, ob die Autoselect™-Programmwahl (2) in der Position 'ON' (EIN) steht.
	11.	Überprüfen Sie Schritt 5, dann 1, dann 2, dann 3.
Der Handdampfreiniger erzeugt bei der Verwendung zu wenig Dampf.	12.	Drehen Sie die Autoselect™-Programmwahl (2) im Uhrzeigersinn, um die Menge an erzeugtem Dampf zu erhöhen.
	13.	Überprüfen Sie Schritt 5
Der Handdampfreiniger erzeugt bei der Verwendung zu viel Dampf.	14.	Drehen Sie die Autoselect™-Programmwahl (2) gegen den Uhrzeigersinn, um die Menge an erzeugtem Dampf zu reduzieren.
Das Zubehör fällt immer vom Gerät ab.	15.	Beachten Sie das Kapitel "Montage" mit Anweisungen zum richtigen Anbringen von Teilen und Zubehör.
Aus unerwarteten Stellen des Geräts tritt Dampf aus.	16.	Beachten Sie das Kapitel "Montage" mit Anweisungen zum richtigen Anbringen von Teilen und Zubehör.
Wo kann ich weitere Informationen/Zubehör bekommen?	17.	<a href="http://www.blackanddecker.co.uk/steammp">www.blackanddecker.co.uk/steammp</a> <a href="http://www.blackanddecker.ie/steammp">www.blackanddecker.ie/steammp</a>

## Utilisation prévue

Votre balais vapeur BLACK+DECKER™ FSMH1321, FSMH13515M, FSMH13101SM, FSMH13151SM, FSMH1321J, FSMH1321JSM, FSMH1321JMD a été conçu pour désinfecter et nettoyer les planchers en bois durs, laminés, en lino, en vinyle, carrelés, en pierres et en marbre. Il est destiné à une utilisation à l'intérieur et exclusivement domestique.

## Consignes de sécurité



**Attention ! Lisez attentivement l'intégralité des manuels de sécurité, de maintenance et d'entretien avant d'utiliser cet appareil. Lisez attentivement et entièrement le manuel avant d'utiliser l'appareil.**

## Étiquettes apposées sur l'appareil

Les pictogrammes suivants ainsi que le code date sont apposés sur l'outil.



**ATTENTION Vapeur bouillante**



**Ruissellement d'eau lorsque l'appareil est utilisé à l'envers**



**La vapeur s'échapper de tous les côtés**



**Ne laissez l'appareil sans surveillance en présence de jeunes enfants**



**Lavage à la main**

## Caractéristiques

Cet appareil présente tout ou partie des caractéristiques suivantes.

1. Interrupteur Marche/Arrêt
2. Molette Autoselect™

3. Poignée de l'appareil à vapeur portable
4. Bouchon de remplissage
5. Appareil à vapeur portable
6. Poignée
7. Crochet supérieur de retenue de câble
8. Poignée principale
9. Crochet inférieur de retenue de câble
10. Bouton de libération de l'appareil à vapeur portable
11. Corps principal
12. Tête de nettoyage de sol
- 12a. Tête de nettoyage de sol avec booster vapeur
- 12b. Accessoire moquette (à utiliser sur les tapis)
13. Patin de nettoyage de sol
14. Languette de libération du patin de nettoyage de sol
15. Patte d'accrochage
16. Tuyau de vapeur
17. Buse vapeur
18. Brosse d'angle (à utiliser sur les taches tenaces)
19. Brosse (à utiliser sur le carrelage / les joints)
20. Raclette (à utiliser sur les pare-douches / le verre / les miroirs / les garnitures/ les tissus d'ameublement)
- 20a. Chaussette de raclette
21. Grande raclette (à utiliser sur les pare-douches / le verre / les miroirs / les garnitures/ les tissus d'ameublement)
- 21a. Grande chaussette de raclette
22. Brosse avec booster vapeur
- 22a. Brosse métallique avec booster de vapeur (à utiliser pour les BBQ / fours)
- 22b. Brosse avec booster de vapeur (à utiliser pour les BBQ / fours / réchauds / robinets / joints)
- 22c. Grande brosse avec booster de vapeur (à utiliser sur les plus grandes surfaces)
23. Tête triangulaire (à utiliser sur les garnitures / les tissus d'ameublement / les plus grandes surfaces)
- 23a. Patin de nettoyage pour surface plate
- 23b. Accessoire vapeur pour vêtements (à utiliser sur vêtements / les tissus d'ameublement)
- 23c. Brosse vapeur pour vêtements (à utiliser sur vêtements / les tissus d'ameublement)
- 23d. Patin vapeur pour vêtements (à utiliser sur vêtements / les tissus d'ameublement)
24. Patin vapeur pour tissus et vêtements (à utiliser sur vêtements / les tissus d'ameublement)
25. SteaMitt™
26. Tuyau SteaMitt™
27. Patin de nettoyage SteaMitt™

28. Buse réglable

Configuration

	F S M H 1 3 3 2 1	F S M H 1 3 5 1 S M	F S H 1 3 0 1 S M	F S M H 1 3 1 5 1 S M	F S M H 1 3 1 5 1 S M	F S M H 1 3 2 1 J	F S M H 1 3 2 1 J S M	F S M H 1 3 2 1 J M D	S E T T I N G S
12	✓	✓	✓	✓	✓	✓	✓	✓	Tous
12a			✓	✓	✓	✓	✓	✓	Tous
12b				✓	✓	✓	✓	✓	Tous
13	✓	✓	✓	✓	✓	✓	✓	✓	Tous
16	✓	✓	✓	✓	✓	✓	✓	✓	Tous
18	✓	✓		✓	✓	✓	✓	✓	*
19	✓	✓	✓			✓	✓	✓	...
20	✓	✓	✓	✓	✓	✓	✓	✓	*
20a	✓	✓	✓	✓	✓	✓	✓	✓	*
21									*
21a									*
22				✓	✓				Tous
22a				✓	✓				Tous
22b				✓	✓				Tous
22c				✓	✓				Tous
23									Tous
23a									Tous
23b									*
23c									*
23d									*
24									*
25				✓	✓				S/O
28					✓				TOUS

Assemblage



Avertissement ! Avant d'exécuter ce qui suit, assurez-vous que l'appareil est éteint, débranché, qu'il est froid et ne contient pas d'eau.

Fixation du manche (Fig. A)

- ◆ Glissez l'extrémité inférieure du manche (8) dans l'extrémité supérieure du corps du balai vapeur (11) jusqu'à ce qu'il s'enclenche en place.

Fixation du nettoyeur vapeur portable (Fig. B)

- ◆ Tout en maintenant l'arrière du corps du balai vapeur (11), poussez fermement le nettoyeur à vapeur portable (5) dans le corps du balai vapeur (11) en vous assurant qu'il est correctement en place dans le raccord (11a) et qu'il est bien enclenché.

Retrait du nettoyeur à vapeur portable (Fig. B)

- ◆ Enfoncez le bouton de libération (10) sur le corps principal (11) et soulevez le nettoyeur à vapeur portable (5) hors du raccord (11a) pour l'éloigner du corps principal (11).

Fixation d'un patin de nettoyage (Fig. C)

Vous trouverez des patins de nettoyage de rechange auprès de votre revendeur BLACK+DECKER (cat. n° FSMP20-XJ).

- ◆ Placez un patin de nettoyage (13) sur le sol, côté avec la boucle en Velcro vers le haut.
- ◆ Appuyez légèrement le balai vapeur sur le patin de nettoyage (13).

**Remarque :** Cet appareil peut être livré avec un tête de nettoyage pour les sols standard (12) ou une tête de nettoyage vapeur (12a). Dans les deux cas utilisez ces instructions pour installer le patin de nettoyage.

**Attention !** Ne laissez jamais le balai vapeur trop longtemps au même endroit. Placez toujours le balai vapeur, manche (8) à la verticale et assurez-vous que le balai est éteint lorsqu'il n'est pas utilisé.

Retrait de la lavette

**Attention !** Portez toujours des chaussures adaptées pour changer la lavette de votre balai vapeur.

Ne portez pas de chaussons ou de pieds-nus.

- ◆ Remplacez le manche (8) en position verticale et éteignez le balai vapeur.
- ◆ Attendez que le balai vapeur ait refroidi (environ 5 minutes).
- ◆ Retirez le balai vapeur du patin de nettoyage en enlevant la fixation Velcro.

**Attention !** Ne laissez jamais le balai vapeur trop longtemps au même endroit.

Placez toujours le balai vapeur, manche (8) à la verticale et assurez-vous que le balai est éteint lorsqu'il n'est pas utilisé.

Remplissage du réservoir d'eau (Fig. Q)

**Remarque !** Remplissez le réservoir d'eau avec de l'eau propre du robinet (n'utilisez aucun additif ou produit chimique).

**Remarque !** Dans les zones où l'eau est très calcaire, l'utilisation d'eau déionisée est recommandée.

- ◆ Ouvrez le bouchon de remplissage (4) en le basculant vers le haut.
- ◆ Remplissez le réservoir d'eau avec de l'eau (n'utilisez aucun additif ou produit chimique).

**Avertissement !** Lors du remplissage détachez-le du module principal et gardez-le à l'horizontal.

**Avertissement !** La capacité du réservoir d'eau est de 0.5 L. Ne remplissez pas trop le réservoir.

- ◆ Refermez le bouchon de remplissage (4).

**Remarque !** Assurez-vous que le bouchon de remplissage est fermement refermé.

### Fixation de l'accessoire moquette (12b) (à utiliser sur les tapis uniquement)

- ◆ Placez l'accessoire moquette (12b) sur le sol.
- ◆ Fixez un patin de nettoyage sur la tête de nettoyage (12)
- ◆ Appuyez légèrement le balai vapeur sur l'accessoire moquette (12b) jusqu'à ce qu'il s'enclenche en place.

**Attention !** Ne laissez jamais le balai vapeur trop longtemps au même endroit. Placez toujours le balai vapeur, manche (8) à la verticale et assurez-vous que le balai est éteint lorsqu'il n'est pas utilisé.

### Retrait de l'accessoire moquette

**Attention !** Portez toujours des chaussures adaptées pour changer l'accessoire moquette du balai vapeur. Ne portez pas de chaussons ou de pieds-nus.

- ◆ Remplacez le manche (8) en position verticale et éteignez le balai vapeur.
- ◆ Attendez que le balai vapeur ait refroidi (environ 5 minutes).
- ◆ Placez l'avant de votre chaussure sur la languette de libération de l'accessoire moquette et appuyez fermement dessus.
- ◆ Soulevez le balai vapeur pour dégager l'accessoire moquette.

**Attention !** Ne laissez jamais le balai vapeur trop longtemps au même endroit. Placez toujours le balai vapeur, manche (8) à la verticale et assurez-vous que le balai est éteint lorsqu'il n'est pas utilisé.

### Fixation du tuyau et des accessoires sur le nettoyeur à vapeur portable (Fig. G - O)

**Avertissement !** Contrôlez le joint entre le point de raccordement du nettoyeur vapeur portable (5) et le tuyau de vapeur (16) avant chaque utilisation. Si le joint dysfonctionne ou est endommagé, contactez le réparateur agréé Black & Decker le plus proche. N'utilisez pas l'appareil.

### Fixation du tuyau

- ◆ Appuyez sur le bouton de libération du tuyau de vapeur (16a) sur le tuyau de vapeur (16).
- ◆ Raccordez le tuyau de vapeur (16) au nettoyeur vapeur portable (5) et relâchez le bouton de libération du tuyau de vapeur (16a) en vous assurant que le tuyau est bien en place.

**Important !** Assurez-vous que le tuyau de vapeur (16) est correctement raccordé avant d'utiliser le nettoyeur à vapeur portable (5). Si de la vapeur s'échappe du joint, cela indique que le tuyau n'est pas correctement installé. Éteignez l'appareil et laissez-le refroidir, avant de retirer et de réinstaller le tuyau.

### Fixation des accessoires (Fig. H)

- ◆ Alignez les pattes sur la buse vapeur (17) avec les encoches de l'accessoire.
- ◆ Enfoncez l'accessoire sur la buse vapeur (17) et tournez-le dans le sens inverse des aiguilles d'une montre jusqu'à ce qu'il s'enclenche en place.

**Important !** Tous les accessoires, à l'exception du SteaMitt™ (25) qui dispose de son propre tuyau et son propre raccord (26) doivent être raccordés au tuyau de vapeur (16) pour être utilisés.

### Retrait du tuyau et des accessoires

**Avertissement !** Le tuyau de vapeur (16), la buse vapeur (17) et les accessoires deviennent chauds pendant l'utilisation. Laissez l'appareil et tous les accessoires refroidir avant de retirer ces derniers.

### Retrait d'un accessoire

- ◆ Tournez l'accessoire dans le sens des aiguilles d'une montre, avant de le tirer hors du tuyau (16).

### Retrait du tuyau

- ◆ Appuyez sur le bouton de libération du tuyau de vapeur (16a) sur le tuyau de vapeur (16) et retirez ce dernier du module vapeur portable.

### SteMitt™

Votre BLACK+DECKER™ SteaMitt™ a été conçu pour désinfecter et nettoyer les carrelages, plans de travail, surfaces de cuisines et de salles de bain. Il est destiné à une utilisation à l'intérieur et exclusivement domestique.

### Fixation du tuyau du SteaMitt™ sur le module vapeur portable

**Avertissement !** Contrôlez le joint entre le point de raccordement du nettoyeur vapeur portable (5) et le SteaMitt™ (26) avant chaque utilisation. Si le joint dysfonctionne ou est endommagé, contactez le réparateur agréé Black & Decker le plus proche. N'utilisez pas l'appareil.

- ◆ Appuyez sur le bouton de libération du tuyau du SteaMitt™ sur le tuyau du SteaMitt™ (26).
- ◆ Raccordez le tuyau du SteaMitt™ (26) au nettoyeur vapeur portable (5) et relâchez le bouton de libération du tuyau du SteaMitt™ en vous assurant que ce dernier s'enclenche bien en place.

**Important !** Assurez-vous que le tuyau du SteaMitt™ (26) est correctement raccordé avant d'utiliser le nettoyeur à vapeur portable (5).

Si de la vapeur s'échappe du joint, cela indique que le tuyau n'est pas correctement installé. Éteignez l'appareil et laissez-le refroidir, avant de retirer et de réinstaller le tuyau.

### Installation du patin de nettoyage sur le SteaMitt™ (Fig. L)

- ◆ Installez le patin de nettoyage (27) sur le SteaMitt™ (25) en fixant les bandes Velcro "bouclées" (27a) de la partie supérieure du patin de nettoyage sur les coussinets Velcro "crochetés" (25a) en dessous du SteaMitt™ (4). Appuyez fermement.

**Avertissement !** Le SteaMitt™ ne doit pas être utilisé si le patin de nettoyage n'est pas installé.

**Remarque :** Le SteaMitt™ peut accueillir 3 types de patins de nettoyage de différentes épaisseurs. Le plus fin peut servir à nettoyer les formes en 3D comme les robinets, etc. Les plus épais peuvent servir pour les surfaces plates plus grandes.

**Avertissement !** Utilisez toujours le SteaMitt™ comme illustré par la figure M, votre main à l'intérieur du gant de protection.

**Avertissement !** Ne tentez jamais d'utiliser le SteaMitt™ en le tenant par l'extérieur, comme illustré par la figure N. Vous pourriez sinon vous brûler.

**Avertissement !** Évitez d'utiliser le SteaMitt™ dans des coins étroits comme illustré par la figure O.

**Avertissement !** En cas de problème pendant l'utilisation, utilisez la languette de libération rapide pour pouvoir rapidement retirer votre main du SteaMitt™ comme illustré par la figure P.

**Avertissement !** N'utilisez pas le SteaMitt™ sur du verre froid, comme des fenêtres par exemple, car le choc thermique pourrait provoquer des dégâts.

**Avertissement !** Ne pointez et ne dirigez jamais le Mittsteam™ vers vous-même ou d'autres personnes.

**Remarque :** La molette de réglage de la vapeur est déconnectée lorsque le SteaMitt™ est installé et le flux de vapeur est alors limité.

### Utilisation

**Important !** Cet appareil détruit 99,9 % des bactéries et germes pour autant qu'il soit utilisé conformément aux consignes décrites dans le présent manuel, avec de patins en microfibre et en fonctionnant en continu pendant 90 secondes.

### Mise en marche et extinction

- ◆ Pour mettre l'appareil en marche, appuyez sur l'interrupteur Marche/Arrêt (1).

Le balai vapeur a besoin d'environ 15 secondes pour chauffer.

- ◆ Pour éteindre l'appareil, appuyez sur l'interrupteur Marche/Arrêt (1).

**Remarque :** Assurez-vous de toujours avoir la main à l'intérieur du SteaMitt™ avant d'appuyer sur le bouton d'activation de la vapeur.

**Attention !** Ne laissez jamais le balai vapeur trop longtemps au même endroit.

Placez toujours le balai vapeur, manche (8) à la verticale et assurez-vous que le balai est éteint lorsqu'il n'est pas utilisé.




**Attention !** Videz toujours le balai vapeur après utilisation.

**Remarque !** Au premier remplissage ou après avoir fonctionné à vide, la production de vapeur peut prendre jusqu'à 45 minutes.

### Technologie Autoselect™ (Fig. R)

Ce balai vapeur est équipé d'une molette Autoselect™ (2) qui permet différents types de nettoyage. Elle permet de sélectionner le mode de fonctionnement approprié au nettoyage que vous souhaitez.

Grâce à Autoselect™, choisissez l'une des applications suivantes en tournant la molette Autoselect™ (2) jusqu'à atteindre le paramètre voulu.

Réglage	Balais	Portable
	Bois/Lamellé	Vapeur à haute température pour les fenêtres ●
	Pierre/Marbre	● ●
	Carrelage/Vinyle	Vapeur à basse température pour les taches tenaces ● ● ●

Le balai vapeur sélectionne le volume de vapeur approprié au nettoyage choisi.

**Remarque :** Contrôlez toujours que le réglage est correct avant d'utiliser votre balai vapeur.

### Booster vapeur (Fig. C1) (uniquement sur FSMH-1310SM, FSMH13151SM)

La tête pour sol (12a) est équipée d'une pédale pour booster la vapeur afin de supprimer les marques et les taches tenaces.

- ◆ Pendant l'utilisation, appuyez sur la pédale booster vapeur pour libérer plus de vapeur.
- ◆ Pour revenir à un mode de fonctionnement normal, appuyez à nouveau sur la pédale.

## Conseils pour une utilisation optimale

### Généralités

**Attention** : N'utilisez jamais le balai vapeur sans y avoir d'abord fixé une lavette.

- ◆ Aspirez ou balayez toujours le sol avant d'utiliser le balai vapeur.
- ◆ Le moyen le plus simple d'utiliser l'appareil est d'incliner le manche à 45° et de nettoyer lentement en couvrant de petites zones à la fois.
- ◆ Utilisez uniquement de l'eau dans votre balai vapeur, sans aucun additif ou produit chimique. Afin d'éliminer les taches tenaces sur les sols en vinyle ou en lino, vous pouvez les pré-traiter avec un mélange de détergent doux et d'eau, avant d'utiliser le balai vapeur.

### Nettoyage à la vapeur avec le balai

- ◆ Fixez le nettoyeur vapeur portable (5) dans le corps du balai vapeur (11)
- ◆ Placez un patin de nettoyage (13) sur le sol, côté avec la boucle en Velcro vers le haut.
- ◆ Appuyez légèrement le balai vapeur sur le patin de nettoyage (13).
- ◆ Branchez le balai vapeur au secteur.
- ◆ Appuyez sur le bouton Marche/Arrêt (1). Le balai vapeur a besoin d'environ 15 secondes pour chauffer.
- ◆ Tournez la molette Autoselect™ (2) jusqu'à atteindre le bon réglage. Après quelques secondes, la vapeur commence à d'échapper de la tête vapeur.

**Remarque** ! Au premier remplissage ou après avoir fonctionné à vide, la production de vapeur peut prendre jusqu'à 45 minutes.

- ◆ La vapeur met quelques secondes pour atteindre le patin nettoyeur. Une fois fait, le balai vapeur glisse facilement sur la surface à désinfecter/nettoyer.
- ◆ Déplacez lentement le balai vapeur d'avant en arrière sur le sol pour nettoyer chaque zone à fond grâce à la vapeur.
- ◆ Une fois terminé, relevez le manche (8) à la verticale en vous assurant qu'il est soutenu et éteignez le balai. Attendez que le balai vapeur ait refroidi (environ cinq minutes).

**Attention** ! Il est important de surveiller le niveau d'eau dans le réservoir. Pour faire le plein d'eau et continuer à désinfecter/nettoyer, placez le balai à la verticale en vous assurant que le manche est soutenu et éteignez le balai vapeur. Débranchez l'appareil de la prise de courant murale, et remplissez le réservoir d'eau.

**Attention** ! Ne laissez jamais le balai vapeur trop longtemps au même endroit. Placez toujours le balai vapeur, manche (8) à la verticale et assurez-vous que le balai est éteint lorsqu'il n'est pas utilisé.

### Rafraîchissement de moquette

- ◆ Placez un patin de nettoyage (13) sur le sol, côté avec la boucle en Velcro vers le haut.
- ◆ Appuyez légèrement le balai vapeur sur le patin de nettoyage.
- ◆ Placez l'accessoire moquette (12b) sur le sol.
- ◆ Appuyez légèrement le balai vapeur sur l'accessoire moquette jusqu'à ce qu'il s'enclenche en place.
- ◆ Branchez le balai vapeur au secteur.
- ◆ Appuyez sur le bouton Marche/Arrêt (1). Le balai vapeur a besoin d'environ 15 secondes pour chauffer.
- ◆ Tournez la molette Autoselect™ (2) sur la position Bois/Lamellé.
- ◆ Poussez et tirez lentement le balai vapeur sur la moquette pour nettoyer à fond chaque secteur.
- ◆ Une fois terminé, relevez le manche (8) à la verticale et éteignez le balai. Attendez que le balai vapeur ait refroidi (environ cinq minutes).

### Après l'utilisation

- ◆ Tournez la molette Autoselect™ (2) jusqu'à la position Arrêt.
- ◆ Attendez que le balai vapeur refroidisse.
- ◆ Débranchez le balai vapeur de la prise de courant murale.
- ◆ Videz le réservoir d'eau.
- ◆ Retirez le patin de nettoyage (13) et lavez-le pour qu'il soit prêt lors de la prochaine utilisation (prenez soin de respecter les instructions de lavage imprimées sur les patins de nettoyage).
- ◆ Entourez le câble d'alimentation des crochets de retenue de câble (7 et 9).
- ◆ La poignée (6) intègre une patte d'accrochage (15) qui permet de suspendre votre balai vapeur sur un support adapté fixé au mur. Vérifiez que le crochet mural peut supporter le poids du balai vapeur en toute sécurité.

### Nettoyage vapeur avec le module portable

**Avertissement** ! Le module ne produit pas de vapeur tant qu'il n'est pas raccordé au corps principal (11) ou que le tuyau de vapeur (16) n'est pas installé.

**Avertissement** ! Ne l'utilisez qu'en position horizontale.

- ◆ Fixez l'accessoire nécessaire.
- ◆ Branchez le nettoyeur vapeur portable au secteur.
- ◆ Appuyez sur le bouton Marche/Arrêt (1). Le balai vapeur a besoin d'environ 15 secondes pour chauffer.
- ◆ Tournez la molette Autoselect™ (2) jusqu'à atteindre le bon réglage. Après quelques secondes, la vapeur commence à d'échapper de la tête vapeur.

**Remarque** ! Au premier remplissage ou après avoir fonctionné à vide, la production de vapeur peut prendre jusqu'à 45 minutes.

- ◆ Quand vous avez fini de vous servir du nettoyeur vapeur portable, tournez la molette Autoselect™ (2) en position Arrêt. Éteignez l'appareil en appuyant sur le bouton Marche/Arrêt (1) et débranchez-le du secteur. Patientez jusqu'à ce que l'appareil refroidisse avant de le ranger (environ cinq minutes).

## Accessoires

Les performances de votre appareil dépendent des accessoires utilisés. Les accessoires BLACK+DECKER sont élaborés dans le respect de normes de qualité supérieures et ils sont conçus pour améliorer les performances de votre appareil. L'utilisation de ces accessoires vous permet de tirer le meilleur de votre équipement.

## Données techniques

FSMH1321		
Tension	V <sub>ca</sub>	230
Puissance	W	1300
Capacité du réservoir	ml	500
Poids	kg	2,7
FSMH1351SM		
Tension	V <sub>ca</sub>	230
Puissance	W	1300
Capacité du réservoir	ml	500
Poids	kg	2,7
FSMH13101SM		
Tension	V <sub>ca</sub>	230
Puissance	W	1300
Capacité du réservoir	ml	500
Poids	kg	2,8
FSMH13151SM		
Tension	V <sub>ca</sub>	230
Puissance	W	1300
Capacité du réservoir	ml	500
Poids	kg	2,8
FSMH1321J		
Tension	V <sub>ca</sub>	230
Puissance	W	1300
Capacité du réservoir	ml	500
Poids	kg	2,7
FSMH1321JSM		
Tension	V <sub>ca</sub>	230
Puissance	W	1300
Capacité du réservoir	ml	500
Poids	kg	2,8

FSMH1321		
Tension	V <sub>ca</sub>	230
Puissance	W	1300
Capacité du réservoir	ml	500
Poids	kg	2,7
FSMH1351SM		
Tension	V <sub>ca</sub>	230
Puissance	W	1300
Capacité du réservoir	ml	500
Poids	kg	2,7
FSMH13101SM		
Tension	V <sub>ca</sub>	230
Puissance	W	1300
Capacité du réservoir	ml	500
Poids	kg	2,8

## Dépannage

Si votre appareil semble ne pas fonctionner correctement, suivez les instructions ci-dessous. Si le problème persiste, veuillez contacter votre réparateur local BLACK+DECKER.

Problème	Étape	Solution possible
Le balai vapeur ne s'allume pas	1.	Vérifiez que l'appareil est branché dans une prise murale.
	2.	Vérifiez que l'appareil a bien été allumé à l'aide de l'interrupteur Marche/Arrêt (1)
	3.	Vérifiez le fusible de la prise.
Le balai vapeur ne diffuse pas de vapeur	4.	Le balai vapeur ne produit de la vapeur que si le nettoyeur vapeur portable (5) est correctement raccordé au corps principal (11) ou que le tuyau de vapeur est installé ou si la molette Autoselect™ est en position Marche
	5.	Vérifiez que le réservoir d'eau est plein. <b>Remarque :</b> Au premier remplissage ou après avoir fonctionné à vide, la production de vapeur peut prendre jusqu'à 45 minutes.
	6.	Vérifiez l'étape 1, puis 2, puis 3
Le balai vapeur cesse de produire de la vapeur pendant l'utilisation	7.	Vérifiez l'étape 4, puis 5, puis 3
Le balai vapeur produit trop de vapeur pendant l'utilisation	8.	Tournez la molette Autoselect™ (2) dans le sens inverse des aiguilles d'une montre afin de réduire la quantité de vapeur produite
Le balai vapeur produit trop peu de vapeur pendant l'utilisation	9.	Tournez la molette Autoselect™ (2) dans le sens des aiguilles d'une montre afin d'augmenter la quantité de vapeur produite
Le nettoyeur vapeur portable ne produit aucune vapeur	10.	Vérifiez que la molette Autoselect™ (2) est en position Marche
	11.	Vérifiez l'étape 5, puis 1, puis 2, puis 3
Le nettoyeur vapeur portable produit trop peu de vapeur pendant l'utilisation	12.	Tournez la molette Autoselect™ (2) dans le sens des aiguilles d'une montre afin d'augmenter la quantité de vapeur produite
	13.	Vérifiez l'étape 5



Problème	Étape	Solution possible
Le nettoyeur vapeur portable produit trop de vapeur pendant l'utilisation	14.	Tournez la molette Autoselect™ (2) dans le sens inverse des aiguilles d'une montre afin de réduire la quantité de vapeur produite
Les accessoires tombent de l'appareil	15.	Consultez le chapitre sur l'assemblage pour savoir comment correctement installer les pièces et les accessoires
De la vapeur s'échappe par des zones non prévues de l'appareil	16.	Consultez le chapitre sur l'assemblage pour savoir comment correctement installer les pièces et les accessoires
Où puis-je obtenir plus d'informations/d'accessoires	17.	<a href="http://www.blackanddecker.co.uk/steammop">www.blackanddecker.co.uk/steammop</a> <a href="http://www.blackanddecker.ie/steammop">www.blackanddecker.ie/steammop</a>

## Uso previsto

La scopa a vapore BLACK+DECKER™ FSMH1321, FSMH13515M, FSMH13101SM, FSMH13151SM, FSMH1321J, FSMH1321JSM, FSMH1321JMD è stata progettata per igienizzare e pulire pavimenti in legno duro sigillato, laminato sigillato, linoleum, vinile, piastrelle, pietra e marmo. L'elettrodomestico è stato progettato solo per uso domestico e all'interno.

## Istruzioni di sicurezza

**Avvertenza! Leggere attentamente il manuale "Sicurezza, manutenzione, assistenza" prima di usare l'elettrodomestico. Leggere attentamente il presente manuale prima di usare l'elettrodomestico.**



## Etichette sull'apparecchio

I seguenti simboli sono mostrati sull'utensile insieme al codice data:



**ATTENZIONE** vapore bollente



Acqua gocciolante se utilizzato quando capovolto



Il vapore fuoriesce da tutti i lati



Non lasciare incustodito con bambini piccoli



Lavare esclusivamente a mano

## Caratteristiche

Questo apparecchio presenta alcune o tutte le seguenti caratteristiche.

1. Interruttore acceso/spento
2. Manopola Auto Select™
3. Maniglia dell'unità a vapore portatile
4. Tappo di rifornimento
5. Unità a vapore portatile
6. Impugnatura
7. Gancio fissa filo superiore
8. Impugnatura principale
9. Gancio fissa filo inferiore
10. Pulsante di sgancio dell'unità a vapore portatile
11. Corpo principale
12. Spazzola di pulitura per pavimenti
- 12a. Spazzola di pulitura a vapore per pavimenti
- 12b. Accessorio per moquette (per l'utilizzo su tappeti)
13. Tampone di pulitura per pavimenti
14. Linguetta di sgancio del tampone di pulitura per pavimenti
15. Staffa di sospensione
16. Tubo flessibile a vapore
17. Ugello a vapore
18. Accessorio spazzola ad angolo (per l'utilizzo su macchie ostinate)
19. Accessorio spazzola (per l'utilizzo su piastrelle / malta)
20. Accessorio raschietto (per l'utilizzo su schermi doccia / vetro / specchi / indumenti / imbottitura)
- 20a. Calza raschietto
21. Accessorio raschietto di grandi dimensioni (per l'utilizzo su schermi doccia / vetro / specchi / indumenti / imbottitura)
- 21a. Calza raschietto di grandi dimensioni
22. Unità spazzola metallica a vapore
- 22a. Spazzola metallica a vapore (per l'utilizzo su barbecue / forni)
- 22b. Spazzola metallica a vapore (per utilizzo su barbecue / forni / piani di cottura / rubinetti / malta)
- 22c. Spazzola larga a vapore (per l'utilizzo su superfici di lavoro maggiori)
23. Testa triangolare (per l'utilizzo su indumenti / imbottitura / superfici di lavoro maggiori)
- 23a. Tampone di pulitura per superfici piane

- 23b. Interfaccia di vaporizzazione capi di abbigliamento (per l'utilizzo su indumenti / imbottitura)
- 23c. Spazzola di vaporizzazione capi di abbigliamento (per l'utilizzo su indumenti / imbottitura)
- 23d. Tampone di vaporizzazione capi di abbigliamento (per l'utilizzo su indumenti / imbottitura)
24. Tampone a vapore capi di abbigliamento e tessuti (per l'utilizzo su indumenti / imbottitura)
25. SteaMitt™
26. Tubo flessibile SteaMitt™
27. Tampone di pulitura SteaMitt™
28. Ugello regolabile

## Configurazione

	F S M H 1 3 2 1	F S M H 1 3 5 1 S M	F S H 1 3 1 0 1 S M	F S M H 1 3 1 5 1 S M	F S M H 1 3 1 5 1 S M	F S M H 1 3 2 1 J	F S M H 1 3 2 1 J S M	F S M H 1 3 2 1 J M D	S E T T I N G S
12	✓	✓	✓	✓	✓	✓	✓	✓	Tutto
12a			✓	✓	✓	✓	✓	✓	Tutto
12b				✓	✓	✓	✓	✓	Tutto
13	✓	✓	✓	✓	✓	✓	✓	✓	Tutto
16	✓	✓	✓	✓	✓	✓	✓	✓	Tutto
18	✓	✓		✓	✓	✓	✓	✓	*
19	✓	✓	✓			✓	✓	✓	...
20	✓	✓	✓	✓	✓	✓	✓	✓	*
20a	✓	✓	✓	✓	✓	✓	✓	✓	*
21									*
21a									*
22				✓	✓				Tutto
22a				✓	✓				Tutto
22b				✓	✓				Tutto
22c				✓	✓				Tutto
23									Tutto
23a									Tutto
23b									*
23c									*
23d									*
24									*
25				✓	✓				N/D
28					✓				TUTTO

## Assemblaggio



Avvertenza! Prima di iniziare una delle seguenti operazioni, verificare che l'elettrodomestico sia spento e scollegato dalla presa elettrica, che sia freddo e non contenga acqua.

### Montaggio del manico (fig. A)

- ◆ Infilare l'estremità inferiore del manico (8) nell'estremità superiore del corpo della scopa a vapore (11) fino a quando scatta in sede.

### Fissaggio del pulitore a vapore portatile (fig. B)

- ◆ Afferrando la parte posteriore del corpo della scopa a vapore (11), premere fermamente l'estremità inferiore del manico (5) nel corpo della scopa a vapore (11) facendo in modo che si trovi in modo saldo sopra l'interfaccia (11a) fino a quando non scatta in sede.

### Smontaggio del pulitore a vapore portatile (fig. B)

- ◆ Premere il pulsante di sgancio (10) sul corpo principale (11) e sollevare il pulitore a vapore portatile (5) dall'interfaccia (11a) e lontano dal corpo principale (11).

### Montaggio di un tampone di pulitura (fig. C)

I tamponi di pulitura di ricambio sono reperibili presso il rivenditore BLACK+DECKER:- (cat no. FSMP20-XJ).

- ◆ Mettere un tampone di pulitura (13) sul pavimento con il lato con il velcro ad anello rivolto verso l'alto.
- ◆ Premere leggermente la scopa a vapore sul tampone di pulitura (13).

**Nota:** la presente unità è dotata della spazzola di pulitura per pavimenti (12) o la spazzola di pulitura a vapore (12a). In entrambi i casi servirsi delle presenti istruzioni per inserire un tampone di pulitura.

**Attenzione!** Non lasciare mai la scopa a vapore a lungo nel medesimo punto di una qualsiasi pavimentazione. Appoggiare sempre la scopa a vapore con il manico (8) in posizione verticale quando è ferma e accertarsi che sia spenta quando non è usata

### Rimozione di un tampone di pulitura

**Attenzione!** Indossare sempre scarpe idonee quando si cambia il tampone di pulitura sulla scopa a vapore.

Non indossare pantofole o sandali aperti.

- ◆ Riportare il manico (8) in posizione verticale e spegnere la scopa a vapore.
- ◆ Attendere fino a quando la scopa a vapore si raffredda prima di metterla via (circa 5 minuti).
- ◆ Sollevare la scopa a vapore dal tampone di pulitura liberandola dalla chiusura a velcro.

**Attenzione!** Non lasciare mai la scopa a vapore a lungo nel medesimo punto di una qualsiasi pavimentazione.

Appoggiare sempre la scopa a vapore con il manico (8) in posizione verticale quando è ferma e accertarsi che sia spenta quando non è usata

### Rifornimento del serbatoio con acqua (fig. Q)

**Nota!** Riempire il serbatoio di acqua con acqua di rubinetto pulita (non utilizzare additivi o agenti chimici).

**Nota!** In zone con acqua dura si consiglia di usare acqua deionizzata.

- ◆ Aprire il tappo di rifornimento (4) ruotandolo verso il basso.
- ◆ Riempire il serbatoio di acqua con acqua (non utilizzare additivi o agenti chimici).

**Avvertenza!** Durante il riempimento, staccarsi dall'unità principale e mantenere una posizione orizzontale.

**Avvertenza!** Il serbatoio dell'acqua ha una capacità di 0.5 l. Non riempire eccessivamente il serbatoio.

- ◆ Chiudere il tappo di rifornimento (4).

**Nota!** Verificare che il tappo di rifornimento sia fissato saldamente.

### Montaggio dell'accessorio per moquette (12b) (solo per impiego sulle moquette)

- ◆ Appoggiare l'accessorio per tappeti (12b) sul pavimento.
- ◆ Fissare un tampone di pulitura sulla spazzola di pulitura per pavimenti (12)
- ◆ Premere leggermente la scopa a vapore sull'accessorio per moquette (12b) fino a quando scatta in sede.

**Attenzione!** Non lasciare mai la scopa a vapore a lungo nel medesimo punto di una qualsiasi pavimentazione. Appoggiare sempre la scopa a vapore con il manico (8) in posizione verticale quando è ferma e accertarsi che sia spenta quando non è usata

### Smontaggio dell'accessorio per moquette

**Attenzione!** Indossare sempre scarpe idonee quando si cambia l'accessorio per moquette sulla scopa a vapore. Non indossare pantofole o sandali aperti.

- ◆ Riportare il manico (8) in posizione verticale e spegnere la scopa a vapore.
- ◆ Attendere fino a quando la scopa a vapore si raffredda prima di metterla via (circa 5 minuti).
- ◆ Appoggiare la punta della scarpa sulla linguetta di rimozione dell'accessorio per moquette e premere con fermezza.
- ◆ Sollevare leggermente la scopa a vapore dall'accessorio per moquette .

**Attenzione!** Non lasciare mai la scopa a vapore a lungo nel medesimo punto di una qualsiasi pavimentazione. Appoggiare sempre la scopa a vapore con il manico (8) in posizione verticale quando è ferma e accertarsi che sia spenta quando non è usata.

## Montaggio del tubo flessibile e degli accessori sul pulitore a vapore portatile (figg. G e O)

**Avvertenza!** Ispezionare la tenuta tra il punto di connessione sul pulitore a vapore portatile (5) e il tubo flessibile a vapore (16) prima di ciascun utilizzo. Se la tenuta funziona in modo errato o è danneggiata, non usarla e contattare il tecnico autorizzato più vicino. Non usare l'elettrodomestico.

### Fissaggio del tubo flessibile

- ◆ Premere il pulsante di sgancio (16a) sul tubo flessibile a vapore (16).
- ◆ Collegare il tubo flessibile a vapore (16) al pulitore a vapore portatile (5) e rilasciare il pulsante di sgancio del tubo flessibile a vapore (16a) accertandosi che scatti in sede.

**Importante!** Verificare che il tubo flessibile a vapore (16) sia connesso saldamente prima di usare il pulitore a vapore portatile (5). Se il vapore fuoriesce dalla giunzione, il tubo flessibile non è inserito correttamente. Spegnerlo, lasciare che l'unità si raffreddi prima di smontarlo e reinserire il tubo flessibile.

### Montaggio degli accessori (fig. H)

- ◆ Allineare le linguette sull'ugello a vapore (17) a quelle nelle gole dell'accessorio.
- ◆ Premere l'accessorio sull'ugello a vapore (17) e ruotarlo in senso antiorario fino a quando si aggancia in sede.

**Importante!** Tutti gli accessori, a parte il SteaMitt™ (25) che dispone del proprio tubo flessibile e connettore (26) devono essere fissati per funzionare al tubo flessibile a vapore (16).

### Smontaggio del tubo flessibile e degli accessori

**Avvertenza!** Il tubo flessibile a vapore (16), l'ugello a vapore (17) e gli accessori si surriscaldano durante l'utilizzo. Lasciare che l'unità e tutti gli accessori si raffreddino prima di smontarli.

### Smontaggio di un accessorio

- ◆ Ruotare l'accessorio in senso orario e staccarlo dal tubo flessibile (16).

### Smontaggio del tubo flessibile

- ◆ Premere il pulsante di sgancio (16a) sul tubo flessibile a vapore (16) e rimuoverlo dall'unità portatile a vapore.

### SteaMitt™

Il tuo pulitore BLACK+DECKER™ SteaMitt™ è stato progettato per igienizzare e pulire piastrelle, piani di lavoro e superfici di cucina e bagno. L'elettrodomestico è stato progettato solo per uso domestico e all'interno.

## Fissaggio del tubo flessibile del SteaMitt™ all'unità portatile a vapore

**Avvertenza!** Ispezionare la tenuta tra il punto di connessione sul pulitore a vapore portatile (5) e il tubo flessibile a vapore del SteaMitt™ (26) prima di ciascun utilizzo. Se la tenuta funziona in modo errato o è danneggiata, non usarla e contattare il tecnico autorizzato più vicino. Non usare l'elettrodomestico.

- ◆ Premere il pulsante di sgancio del tubo flessibile SteaMitt™ sul tubo flessibile SteaMitt™ (26).
- ◆ Collegare il tubo flessibile SteaMitt™ (26) al pulitore portatile a vapore (5) e rilasciare il pulsante di sgancio del tubo flessibile SteaMitt™ accertandosi che scatti in sede.

**Importante!** Verificare che il tubo flessibile a vapore SteaMitt™ (26) sia connesso saldamente prima di usare il pulitore a vapore portatile (5).

Se il vapore fuoriesce dalla giunzione, il tubo flessibile non è inserito correttamente. Spegnerlo, lasciare che l'unità si raffreddi prima di smontarlo e reinserire il tubo flessibile.

## Inserimento di un tampone di pulitura nel SteaMitt™ (fig. L)

- ◆ Montare il tampone di pulitura (27) sul SteaMitt™ (25) fissando i nastri ad anello di tipo velcro (27a) sulla parte superiore del tampone di pulitura, i tamponi a gancio di tipo velcro (25a) sulla parte inferiore del SteaMitt™ (4). Premere in basso con forza.

**Avvertenza!** Il SteaMitt™ non deve essere utilizzato senza fissaggio su un tampone di pulitura.

**Nota:** Il SteaMitt™ contiene 3 tipi di tamponi di pulitura con spessori differenti. Il più sottile può essere utilizzato per pulire forme tridimensionali come tamponi ecc. Le versioni più spesse possono essere utilizzate per superficie piane di dimensioni maggiori.

**Avvertenza!** Utilizzare il SteaMitt™ sempre come da figura M con la propria mano all'interno del guanto protettivo.

**Avvertenza!** Non tentare mai di utilizzare il SteaMitt™ afferrandolo esternamente come da figura N per non correre il pericolo di ustionarsi.

**Avvertenza!** Evitare di utilizzare il SteaMitt™ in angoli stretti come da figura O.

**Avvertenza!** In caso di problemi durante l'utilizzo, servirsi della linguette a sgancio rapido per rimuovere rapidamente il SteaMitt™ dalla propria mano come da figura P.

**Avvertenza!** Non utilizzare il SteaMitt™ su vetro freddo, come per esempio finestre, poiché si potrebbero verificare danni a causa di un improvviso cambiamento della temperatura.

**Avvertenza!** Non puntare o indirizzare mai il pulitore verso sé stessi o verso un'altra persona.

**Nota:** La manopola a vapore variabile è disconnessa quando il SteaMitt™ è inserito e di conseguenza il flusso di vapore è limitato.

## Utilizzo

**Importante!** Questo elettrodomestico è in grado di uccidere il 99.9% di batteri e di germi, se usato in base alle istruzioni del presente manuale e con il tampone in microfibra montato e un tempo di funzionamento continuo di 90 secondi.

## Accensione e spegnimento

- ◆ Per accendere l'elettrodomestico, premere l'interruttore di accensione (1). La scopa a vapore impiega 15 secondi circa per riscaldarsi.
- ◆ Per spegnere l'elettrodomestico, premere l'interruttore di accensione (1).

**Nota:** tenere sempre la propria mano all'interno del SteaMitt™ prima di premere il pulsante del vapore.

**Attenzione!** Non lasciare mai la scopa a vapore a lungo nel medesimo punto di una qualsiasi pavimentazione.

Appoggiare sempre la scopa a vapore con il manico (8) in posizione verticale quando è ferma e accertarsi che sia spenta quando non è usata




**Attenzione!** Svuotare sempre la scopa a vapore dopo l'impiego.

**Nota!** In occasione del primo rifornimento oppure se ha funzionato a secco, possono trascorrere fino a 45 secondi prima che venga generato del vapore.

## Tecnologia Autoselect™ (fig. R)

Questa scopa a vapore è dotata di manopola Autoselect™ (2) che mostra le varie applicazioni di pulitura. Esse sono usate per selezionare la corretta modalità di funzionamento per l'operazione di pulitura desiderata.

Scegliere una delle applicazioni seguenti mediante la manopola Autoselect™ (2) premendolo fino a selezionare la regolazione desiderata.

Impostazione	Scopa	Portatile
	Legno/ laminato	Vapore ad alta temperatura per finestre ●
	Pietra/marmo	● ●
	Piastrelle/vinile	Vapore a temperatura ridotta per impurità pesanti ● ● ●

La scopa a vapore selezionerà la quantità di vapore necessaria per una determinata operazione di pulitura.

**Nota:** Controllare sempre di aver scelto la corretta regolazione prima di usare la scopa a vapore.

### Getto di vapore (fig. C1) (disponibile solamente con le unità FSMH1310SM, FSMH13151SM)

La spazzola per pavimenti (12a) è dotata di pedale del getto di vapore per facilitare l'eliminazione di macchie e segni ostinati.

- ◆ Durante l'impiego, premere il pedale del getto di vapore per aumentare la forza pulente.
- ◆ Per ritornare alla configurazione normale, premere di nuovo il pedale.

### Consigli per un utilizzo ottimale

#### Generali

**Attenzione:** Non usare mai la scopa a vapore senza aver prima montato un tampone di pulitura.

- ◆ Passare sempre l'aspirapolvere oppure scopare il pavimento prima di usare la scopa a vapore.
- ◆ Il modo più semplice per usare la scopa consiste nell'inclinare il manico a 45° e pulire lentamente, trattando un'area piccola alla volta.
- ◆ Utilizzare dell'acqua con la propria scopa a vapore solamente senza additivi o sostanze chimiche. Per eliminare macchie ostinate dalle pavimentazioni in vinile o linoleum, è possibile pretrattarle con un detersivo neutro e un po' di acqua prima di usare la scopa a vapore.

#### Pulitura a vapore con la scopa

- ◆ Montare il pulitore a vapore portatile (5) nel corpo della scopa a vapore (11)
- ◆ Mettere un tampone di pulitura (13) sul pavimento con il lato ad anello di velcro rivolto verso l'alto.
- ◆ Premere leggermente la scopa a vapore sul tampone di pulitura (13).
- ◆ Collegare la scopa a vapore alla presa di corrente.
- ◆ Premere il pulsante di accensione (1). La scopa a vapore impiega 15 secondi circa per riscaldarsi.
- ◆ Girare la manopola Autoselect™ (2) fino a ottenere la regolazione richiesta. Dopo alcuni secondi il vapore comincia a fuoriuscire dalla testa a vapore.

**Nota!** In occasione del primo rifornimento oppure se ha funzionato a secco, possono trascorrere fino a 45 secondi prima che venga generato del vapore.

- ◆ Ci vogliono alcuni secondi prima che il vapore penetri nel tampone di pulitura. La scopa a vapore scorrerà ora facilmente sulla superficie da igienizzare/pulire.
- ◆ Spingere e tirare lentamente la scopa a vapore sulla superficie per pulire a fondo ogni sezione.

- ◆ Una volta finito di utilizzare la scopa a vapore, riportare la maniglia (8) alla posizione verticale, assicurandosi che sia supportata e ruotarla su 'OFF'. Attendere fino a quando la scopa a vapore si raffredda prima di metterla via (circa 5 minuti).

**Attenzione!** È importante controllare il livello dell'acqua nel serbatoio dell'acqua. Per rifornire il serbatoio dell'acqua e continuare a igienizzare/pulire, portare la scopa in posizione verticale e spegnere la scopa a vapore. Scollegare l'elettrodomestico dalla presa di corrente a parete e rifornire il serbatoio dell'acqua.

**Attenzione!** Non lasciare mai la scopa a vapore a lungo nel medesimo punto di una qualsiasi pavimentazione. Appoggiare sempre la scopa a vapore con il manico (8) in posizione verticale quando è ferma e accertarsi che sia spenta quando non è usata

#### Per ravvivare la moquette

- ◆ Mettere un tampone di pulitura (13) sul pavimento con il lato ad anello rivolto verso l'alto.
- ◆ Premere leggermente la scopa a vapore sul tampone di pulitura.
- ◆ Appoggiare l'accessorio per tappeti (12b) sul pavimento.
- ◆ Premere leggermente la scopa a vapore sull'accessorio per moquette fino a quando non scatta in sede.
- ◆ Collegare la scopa a vapore alla presa di corrente.
- ◆ Premere il pulsante di accensione (1). La scopa a vapore impiega 15 secondi circa per riscaldarsi.
- ◆ Ruotare la manopola Autoselect™ (2) sulla regolazione per Legno/laminato.
- ◆ Spingere e tirare lentamente la scopa a vapore sulla moquette per ravvivare ogni sezione.
- ◆ Una volta finito di utilizzare la scopa a vapore, riportare la maniglia (8) alla posizione verticale e ruotarla su 'OFF'. Attendere fino a quando la scopa a vapore si raffredda prima di metterla via (circa 5 minuti).

#### Dopo l'impiego

- ◆ Ruotare la manopola Autoselect™ (2) sulla posizione di OFF.
- ◆ Attendere fino a quando la scopa a vapore si raffredda.
- ◆ Scollegare la scopa a vapore dalla presa di corrente a parete.
- ◆ Svuotare il serbatoio dell'acqua.
- ◆ Rimuovere il tampone di pulitura (13) e lavarlo per l'utilizzo successivo (fare in modo di seguire le istruzioni di lavaggio delicato stampate sul tampone di pulitura).
- ◆ Avvolgere il filo di alimentazione attorno ai ganci fissa filo (7 e 9).
- ◆ Altrimenti, vi è una staffa per appenderla (15) incorporata nell'impugnatura (6) che consentirà di appendere la scopa a vapore a un gancio idoneo a parete.

Accertarsi sempre che il gancio a parete sia in grado di sorreggere in modo sicuro il peso della scopa a vapore.

### Pulitura con il pulitore a vapore portatile

**Avvertenza!** L'unità genera vapore fino a quando non è collegata al corpo principale (11) o il tubo flessibile a vapore (16) non è inserito.

**Avvertenza!** Utilizzare solamente in posizione orizzontale.

- ◆ Fissare l'accessorio richiesto.
- ◆ Collegare il pulitore a vapore portatile all'alimentazione di rete.
- ◆ Premere il pulsante di accensione (1). La scopa a vapore impiega 15 secondi circa per riscaldarsi.
- ◆ Girare la manopola Autoselect™ (2) fino a ottenere la regolazione richiesta. Dopo alcuni secondi il vapore comincia a fuoriuscire dalla testa a vapore.

**Nota!** In occasione del primo rifornimento oppure se ha funzionato a secco, possono trascorrere fino a 45 secondi prima che venga generato del vapore.

- ◆ Quando viene terminato l'utilizzo del pulitore portatile a vapore, girare la manopola Autoselect™ (2) sulla posizione di OFF. Spegnerne l'unità premendo il pulsante di accensione (1) e scollegarla dall'alimentazione di corrente. Attendere fino a quando l'unità non si è raffreddata prima di riporla (circa cinque minuti).

### Accessori

Le prestazioni dell'elettrodomestico dipendono dall'accessorio usato. Gli accessori BLACK + DECKER sono stati fabbricati in base a standard qualitativi elevati e sono stati progettati per ottenere le migliori prestazioni dall'elettrodomestico. Utilizzando questi accessori si otterrà il meglio dall'utensile.

### Dati Tecnici

FSMH1321		
Tensione	V <sub>c.a.</sub>	230
Potenza	W	1300
Capacità serbatoio	ml	500
Peso	kg	2,7
FSMH1351SM		
Tensione	V <sub>c.a.</sub>	230
Potenza	W	1300
Capacità serbatoio	ml	500
Peso	kg	2,7
FSMH13101SM		
Tensione	V <sub>c.a.</sub>	230
Potenza	W	1300
Capacità serbatoio	ml	500
Peso	kg	2,8

FSMH1321		
Tensione	V <sub>c.a.</sub>	230
Potenza	W	1300
Capacità serbatoio	ml	500
Peso	kg	2,7
FSMH1351SM		
Tensione	V <sub>c.a.</sub>	230
Potenza	W	1300
Capacità serbatoio	ml	500
Peso	kg	2,7
FSMH13101SM		
Tensione	V <sub>c.a.</sub>	230
Potenza	W	1300
Capacità serbatoio	ml	500
Peso	kg	2,8
FSMH1321J		
Tensione	V <sub>c.a.</sub>	230
Potenza	W	1300
Capacità serbatoio	ml	500
Peso	kg	2,7
FSMH1321JSM		
Tensione	V <sub>c.a.</sub>	230
Potenza	W	1300
Capacità serbatoio	ml	500
Peso	kg	2,8
FSMH1321JMD		
Tensione	V <sub>c.a.</sub>	230
Potenza	W	1300
Capacità serbatoio	ml	500
Peso	kg	2,8

### Ricerca guasti

Se l'elettrodomestico non dovesse funzionare correttamente, seguire le istruzioni riportate di seguito. Nel caso in cui non sia comunque possibile risolvere il problema, rivolgersi al tecnico BLACK+DECKER di zona.

Problema	Passo	Eventuale soluzione
La scopa a vapore non si accende	1.	Controllare che l'unità sia inserita nella presa a muro.
	2.	Controllare che l'unità sia accesa utilizzando l'interruttore di accensione/spengimento (1)
	3.	Controllare il fusibile nella spina.

Problema	Passo	Eventuale soluzione
La scopa a vapore non genera vapore	4.	La scopa a vapore genera vapore solamente se il pulitore portatile a vapore (5) è correttamente inserito nel corpo principale (11) o il tubo flessibile a vapore è inserito o l'Autoselect™ è acceso
	5.	Controllare che il serbatoio dell'acqua sia pieno. <b>Nota:</b> In occasione del primo rifornimento oppure se ha funzionato a secco, possono trascorrere fino a 45 secondi prima che venga generato del vapore.
	6.	Controllare i passi 1, 2, e 3.
La scopa a vapore smette di generare vapore durante l'uso	7.	Controllare i passi 4, 5, e 3.
La scopa a vapore smette genera troppo vapore durante l'uso	8.	Girare la manopola Autoselect™ (2) in senso antiorario per ridurre la quantità di vapore generato
La scopa a vapore smette genera troppo poco vapore durante l'uso	9.	Girare la manopola Autoselect™ (2) in senso orario per aumentare la quantità di vapore generato
Vapore non generato dal pulitore portatile a vapore	10.	Accertarsi che la manopola Autoselect™ (2) sia sulla posizione ON
	11.	Controllare i passi 5, poi 1, 2, e 3.
Il pulitore portatile a vapore smette genera troppo poco vapore durante l'uso	12.	Girare la manopola Autoselect™ (2) in senso orario per aumentare la quantità di vapore generato
	13.	Controllare il passo 5
Il pulitore portatile a vapore smette genera troppo poco vapore durante l'uso	14.	Girare la manopola Autoselect™ (2) in senso antiorario per ridurre la quantità di vapore generato
Gli accessori continuano a cadere dall'unità	15.	Consultare il capitolo assemblaggio per il corretto montaggio di tutte le parti e gli accessori
Il vapore fuoriesce da parti non previste dell'unità	16.	Consultare il capitolo assemblaggio per il corretto montaggio di tutte le parti e gli accessori
Dove è possibile trovare informazioni/accessori aggiuntivi	17.	<a href="http://www.blackanddecker.co.uk/steam mop">www.blackanddecker.co.uk/steam mop</a> <a href="http://www.blackanddecker.ie/steam mop">www.blackanddecker.ie/steam mop</a>

## Bedoeld gebruik

De BLACK+DECKER™ FSMH1321, FSMH13515M, FSMH13101SM, FSMH13151SM, FSMH1321J, FSMH1321JSM, FSMH1321JMD stoomreiniger is ontworpen voor het reinigen en ontsmetten van vloeren van geseald hardhout, laminaat, linoleum, keramische tegels, steen of marmer. Dit apparaat is uitsluitend bestemd voor gebruik binnenshuis.

## Instructies voor de veiligheid



**Waarschuwing! Lees deze handleiding over Veiligheid, onderhoud en service zorgvuldig door voordat u dit apparaat in gebruik neemt. Lees deze handleiding aandachtig geheel door voordat u dit apparaat in gebruik neemt.**

## Labels op het apparaat

De volgende pictogrammen worden met de datumcode op het apparaat weergegeven:



**VOORZICHTIG** Hete stoom



Lekkage van waterdruppels bij gebruik ondersteboven



Er ontsnapt stoom aan alle zijden



Laat niet onbeheerd achter in aanwezigheid van jonge kinderen



Alleen handwas

## Functies

Dit apparaat heeft enkele van de volgende functies of allemaal.

1. Aan/Uit-schakelaar
2. Autoselect™-knop
3. Handgreep van de hand-stoomreiniger
4. Vulpod
5. Hand-stoomreiniger
6. Handgreep
7. Bovenste opberghaak
8. Hoofdhandgreep
9. Onderste kabelopberghaak
10. Vrijgaveknop van de handstoomreiniger
11. Hoofd-apparaatgedeelte
12. Vloerpop

- 12a. Vloerkop voor stoom
- 12b. Tapijtglijder  
(voor gebruik op tapijten)
- 13. Reinigingsdoek voor de vloer
- 14. Vrijgavenok van de reinigingsdoek voor de vloer
- 15. Ophangbeugel
- 16. Stoomslang
- 17. Stoommondstuk
- 18. Hoekvormig borstelhulpstuk  
(voor het verwijderen van vlekken uit harde vloeren)
- 19. Borstelhulpstuk  
(voor gebruik op tegels / voegen)
- 20. Wissershulpstuk  
(voor gebruik op doucheschermen / glas / spiegels / kleding / bekleding)
- 20a. Wissensok
- 21. Groot wissershulpstuk  
(voor gebruik op doucheschermen / glas / spiegels / kleding / bekleding)
- 21a. Grote wissersok
- 22. Stoomstootborstel-unit
- 22a. Stoomstootdraadborstel  
(voor gebruik op BBQ's / ovens)
- 22b. Stoomstootborstel  
(voor gebruik op BBQ's / ovens / kookplaten / kranen / voegen)
- 22c. Brede stoomstootdraadborstel  
(voor gebruik op grotere werkoppervlakken)
- 23. Driehoekige kop  
(voor gebruik op kleding / bekleding / grotere werkoppervlakken)
- 23a. Reinigingsdoek vlak oppervlak
- 23b. Hulpstuk voor het stomen van kledingstukken  
(voor gebruik op kleding / bekleding)
- 23c. Borstel voor het stomen van kledingstukken  
(voor gebruik op kleding / bekleding)
- 23d. Reinigingsdoek voor het stomen van kledingstukken  
(voor gebruik op kleding / bekleding)
- 24. Reinigingsdoek voor het stomen van weefsels en kledingstukken  
(voor gebruik op kleding / bekleding)
- 25. SteaMitt™
- 26. SteaMitt™-slang
- 27. SteaMitt™-reinigingsdoek
- 28. Verstelbare spuitmond

## Configuratie

	F S M H 1 3 2 1	F S M H 1 3 5 1 S M	F S H 1 3 1 0 1 S M	F S M H 1 3 1 5 1 S M	F S M H 1 3 1 5 1 S M	F S M H 1 3 2 1 J	F S M H 1 3 2 1 J S M	F S M H 1 3 2 1 J M D	S E T I t r N G S
12	✓	✓	✓	✓	✓	✓	✓	✓	Alle
12a			✓	✓	✓	✓	✓	✓	Alle
12b				✓	✓	✓	✓	✓	Alle
13	✓	✓	✓	✓	✓	✓	✓	✓	Alle
16	✓	✓	✓	✓	✓	✓	✓	✓	Alle
18	✓	✓		✓	✓	✓	✓	✓	*
19	✓	✓	✓			✓	✓	✓	***
20	✓	✓	✓	✓	✓	✓	✓	✓	*
20a	✓	✓	✓	✓	✓	✓	✓	✓	*
21									*
21a									*
22				✓	✓				Alle
22a				✓	✓				Alle
22b				✓	✓				Alle
22c				✓	✓				Alle
23									Alle
23a									Alle
23b									*
23c									*
23d									*
24									*
25				✓	✓				N/A
28					✓				Alle

## Montage



Waarschuwing! Voordat u de volgende instructies volgt, moet u controleren dat het apparaat is uitgeschakeld en de stekker uit het stopcontact is getrokken en dat het apparaat is afgekoeld en geen water bevat.

## De handgreep vastmaken (Afb. A)

- ◆ Schuif de onderkant van de steel (8) in de bovenkant van de romp van de stoomreiniger (11) tot deze vastklikt.



**De handstoomreiniger bevestigen (Afb. B)**

- ◆ Terwijl u de achterkant van de romp van de stoomreiniger (11) vasthoudt, duwt u de handstoomreiniger (5) stevig in de romp van de stoomreiniger (11) en controleert u dat de reiniger goed over de aansluiting (11a) past en stevig vastklikt.

**De handstoomreiniger los nemen (Afb. B)**

- ◆ Duw de vrijgaveknop (10) op romp (11) en til de handstoomreiniger (5) van de aansluiting (11a) en los van de romp (11).

**Een reinigingsdoek bevestigen (Afb. C)**

Vervangende reinigingsdoeken zijn verkrijgbaar via uw BLACK+DECKER-leverancier: - (cat. nr. FSMP20-XJ).

- ◆ Plaats een reinigingsdoek (13) op de vloer met de klittenband-zijde naar boven.
- ◆ Druk de stoomreiniger licht op de reinigingsdoek (13).

**Opmerking:** Dit apparaat kan zijn geleverd met een standaard vloerreinigingskop (12) of een stoomreinigingskop (12a) Plaats in beide gevallen een reinigingsdoek volgens deze instructies.

**Let op!** Laat de stoomreiniger nooit langere tijd op één plek op een oppervlak staan. Zet de stoomreiniger altijd met de handgreep (8) rechtop neer en let erop dat u de stoomreiniger uitschakelt, wanneer u het apparaat niet gebruikt.

**Een reinigingsdoek verwijderen**

**Let op!** Draag altijd geschikte schoenen wanneer u de reinigingsdoeken verwisselt op de stoomreiniger. Draag geen slippers of schoeisel met open tenen.

- ◆ Zet de steel (8) rechtop en schakel de stoomreiniger 'UIT'.
- ◆ Wacht tot de stoomreiniger is afgekoeld (ongeveer 5 minuten).
- ◆ Til de stoomreiniger van de reinigingsdoek en los van de klittenbandbevestiging.

**Let op!** Laat de stoomreiniger nooit langere tijd op één plek op een oppervlak staan.

Zet de stoomreiniger altijd met de handgreep (8) rechtop neer en let erop dat u de stoomreiniger uitschakelt, wanneer u het apparaat niet gebruikt.

**De watertank vullen (Afb. Q)**

**Opmerking!** Vul de watertank met schoon kraanwater (Gebruik geen toevoegingen of chemicaliën).

**Opmerking!** In gebieden met hard water wordt het gebruik van gedeïoniseerd water aangeraden.

- ◆ Open de vuldop (4) door deze omhoog te klappen.
- ◆ Vul de watertank met schoon kraanwater (Gebruik geen toevoegingen of chemicaliën).

**Waarschuwing!** Maak de watertank los van de stoomreiniger en houd de tank tijdens het vullen in een horizontale stand.

**Waarschuwing!** De watertank heeft een capaciteit van 0,5 liter. Doe de tank niet te vol.

- ◆ Sluit de vuldop (4).

**Opmerking!** Controleer dat de vuldop stevig vastzit.

**De tapijtglijder monteren (12b) (Alleen voor gebruik op tapijten)**

- ◆ Plaats de tapijtglijder (12b) op de vloer.
- ◆ Bevestig een reinigingsdoek op de vloerreinigingskop (12)
- ◆ Druk de stoomreiniger licht op de tapijtglijder (12b) tot deze op z'n plaats vastklikt.

**Let op!** Laat de stoomreiniger nooit langere tijd op één plek op een oppervlak staan. Zet de stoomreiniger altijd met de handgreep (8) rechtop neer en let erop dat u de stoomreiniger uitschakelt, wanneer u het apparaat niet gebruikt.

**De tapijtglijder losnemen**

**Let op!** Draag altijd geschikte schoenen wanneer u de tapijtglijder verwijdert van de stoomreiniger. Draag geen slippers of schoeisel met open tenen.

- ◆ Zet de steel (8) rechtop en schakel de stoomreiniger 'UIT'.
- ◆ Wacht tot de stoomreiniger is afgekoeld (ongeveer 5 minuten).
- ◆ Plaats de voorkant van uw schoen op de verwijderingslip van de tapijtglijder en druk stevig omlaag.
- ◆ Til de stoomreiniger van de tapijtglijder.

**Let op!** Laat de stoomreiniger nooit langere tijd op één plek op een oppervlak staan. Zet de stoomreiniger altijd met de handgreep (8) rechtop neer en let erop dat u de stoomreiniger uitschakelt, wanneer u het apparaat niet gebruikt.

**De slang en accessoires aan de handstoomreiniger bevestigen (Afb. G - O)**

**Waarschuwing!** Inspecteer voor ieder gebruik het aansluitpunt van de handstoomreiniger (5) en de stoomslang (16). Neem contact op met de officiële servicemonteur bij u in de buurt als de afdichting niet goed werkt of beschadigd is. Gebruik het apparaat niet.

**De slang bevestigen**

- ◆ Druk de vrijgaveknop (16a) van de stoomslang op de stoomslang (16).
- ◆ Sluit de stoomslang (16) aan op de handstoomreiniger (5) en laat de vrijgaveknop van de stoomslang los (16a), let erop dat deze op z'n plaats klikt.

**Belangrijk!** Controleer dat de slang (16) stevig vastzit op de handstoomreiniger (5). Als er stoom ontsnapt uit de aansluiting, is de slang niet goed geplaatst. Schakel het apparaat uit, laat het afkoelen en plaats de slang opnieuw.

**Hulpstukken bevestigen (Afb. H)**

- ◆ Houd de nokken op de stroomspuitmond (17) tegenover de uitsparingen op het hulpstuk.

- ◆ Druk het hulpstuk op de stoomslang (17) en draai linksom tot het hulpstuk op z'n plaats vastklikt.

**Belangrijk!** Alle hulpstukken, behalve de SteaMitt™ (25), die zijn eigen slang en aansluiting heeft (26), moeten voor gebruik op de stoomslang (16) worden bevestigd.

## De slang en hulpstukken losnemen

**Waarschuwing!** De stoomslang (16), stoomspuitmond (17) en de hulpstukken worden heet tijdens gebruik. Laat het apparaat en alle hulpstukken afkoelen voordat u hulpstukken losneemt.

## Een hulpstuk los nemen

- ◆ Draai het hulpstuk rechtsom en trek het van de slang (16).

## De slang losnemen

- ◆ Druk op de vrijgaveknop van de stoomslang (16a) op de stoomslang (16) en trek deze los van de handstoomreiniger.

## SteaMitt™

De BLACK+DECKER™ SteaMitt™ is ontworpen voor het reinigen van tegels, werkbladen, keukenbladen en badkamers. Dit apparaat is uitsluitend bestemd voor gebruik binnenshuis.

## De slang van de SteaMitt™ op de handstoomreiniger bevestigen

**Waarschuwing!** Inspecteer voor ieder gebruik het aansluitpunt van de handstoomreiniger (5) en de slang (26) van de SteaMitt™. Neem contact op met de officiële servicemonteur bij u in de buurt als de afdichting niet goed werkt of beschadigd is. Gebruik het apparaat niet.

- ◆ Druk de vrijgaveknop van de slang van de SteaMitt™ op de slang van de SteaMitt™ (26).
- ◆ Sluit de slang (26) van de SteaMitt™ aan op de handstoomreiniger (5) en laat de vrijgaveknop van de stoomslang los, let erop dat deze op z'n plaats klikt.

**Belangrijk!** Controleer dat de slang (26) van de SteaMitt™ stevig vastzit op de handstoomreiniger (5).

Als er stoom ontsnapt uit de aansluiting, is de slang niet goed geplaatst. Schakel het apparaat uit, laat het afkoelen en plaats de slang opnieuw.

## Een reinigingsdoek op de SteaMitt™ plaatsen (Afb. L)

- ◆ Plaats de reinigingsdoek (27) op de SteaMitt™ (25) door de klittenband-stroken (27a) aan de bovenzijde van de reinigingsdoek en de klittenband-stroken (25a) aan de onderzijde van de SteaMitt™ (4) op elkaar vast te maken. Druk de reinigingsdoek stevig vast.

**Waarschuwing!** De SteaMitt™ kan beter niet zonder een reinigingsdoek worden gebruikt.

**Opmerking:** De SteaMitt™ is geschikt voor 3 typen reinigingsdoeken van verschillende dikten. De dunste kan worden gebruikt voor het reinigen van 3-dimensionale vormen, zoals kranen, enz. De dikkere versies kunnen worden gebruikt voor grotere vlakke oppervlakken.

⚠	<b>Waarschuwing!</b> Gebruik de SteaMitt™ altijd zoals wordt getoond in afbeelding M, met uw hand in de beschermende handschoen.
⚠	<b>Waarschuwing!</b> Probeer nooit de SteaMitt™ te gebruiken door het apparaat aan de buitenzijde vast te pakken zoals wordt getoond in afbeelding N. U zult zich dan branden.
⚠	<b>Waarschuwing!</b> Gebruik de SteaMitt™ niet in krappe hoeken, zoals in afbeelding O wordt getoond.
⚠	<b>Waarschuwing!</b> Als er zich een probleem voordoet tijdens het gebruik, haal dan met behulp van de nok van de snelsluiting snel de SteaMitt™ van uw hand, zoals wordt getoond in afbeelding P.
⚠	<b>Waarschuwing!</b> Gebruik de SteaMitt™ niet op koud glas, zoals vensteruiten, omdat deze kunnen beschadigen door de plotselinge temperatuurverandering.
⚠	<b>Waarschuwing!</b> Richt de mof nooit op uzelf of een ander persoon.

**Opmerking:** De keuzeknop voor variabele stoom wordt losgekoppeld wanneer de SteaMitt™ wordt geplaatst en de toevoer van stoom is daarna beperkt.

## Gebruik van het gereedschap

**Belangrijk!** Wanneer u dit apparaat volgens de aanwijzingen in deze handleiding gebruikt, u de microvezeldoeken plaatst en u het apparaat ten minste 90 seconden aanzet, doodt het 99,9% van alle bacteriën en ziektekiemen.

## In- en uitschakelen

- ◆ Schakel het apparaat in door op de aan/uit-schakelaar (1) te drukken. Het opwarmen van de stoomreiniger duurt ongeveer 15 seconden.
- ◆ Schakel het apparaat uit door op de aan/uit-schakelaar (1) te drukken.

**Opmerking:** Steek altijd eerst uw hand in de SteaMitt™ voordat u op de stoomknop drukt.

**Let op!** Laat de stoomreiniger nooit langere tijd op één plek op een oppervlak staan.

Zet de stoomreiniger altijd met de handgreep (8) recht neer en let erop dat u de stoomreiniger uitschakelt, wanneer u het apparaat niet gebruikt.

**Let op!** Giet de stoomreiniger na gebruik altijd leeg.

**Opmerking!** Wanneer u de stoomreiniger voor de eerste keer vult of nadat de watertank leeg is geweest, kan het tot wel 45 seconden duren voordat er stoom wordt geproduceerd.

## Autoselect™-technologie (Afb. R)

Deze stoomreiniger is uitgerust met een Autoselect™-knop (2) waarop verschillende reinigingstoepassingen zijn afgebeeld. Hiermee kunt u de juiste gebruiksstand voor uw schoonmaakwerk selecteren.

Kies één van de volgende toepassingen met Autoselect™ door de Autoselect™-knop (2) te draaien tot de gewenste instelling is geselecteerd.

Instelling	Dweilen	Met de hand
	Hout/Laminaat	Hete stoom voor ramen ●
	Steen/Marmer	● ●
	Tegels/Vinyl	hete stoom voor zwaar vuil ● ● ●

De stoomreiniger selecteert de juiste hoeveelheid stoom die nodig is voor uw schoonmaakwerk.

**Opmerking:** Controleer vóór het gebruik van de stoomreiniger altijd of u de juiste instelling hebt geselecteerd.

## Steam Burst (Afb. C1) (alleen beschikbaar op de apparaten FSMH1310SM, FSMH13151SM)

De vloerkop (12a) is voorzien van een pedaal voor een stoomstoot voor de verwijdering van hardnekkig vuil en hardnekkige vlekken.

- ◆ Druk tijdens gebruik op de stoomstootpedaal en pas extra reinigingskracht toe.
- ◆ Druk nogmaals op het pedaal als u wilt terugkeren naar de normale instelling.

## Tips voor optimaal gebruik

### Algemeen

**Voorzichtig:** Gebruik de stoomreiniger nooit voordat u een reinigingsdoek hebt aangebracht.

- ◆ Veeg of stofzuig de vloer altijd voordat u de stoomreiniger gebruikt.
- ◆ U werkt het gemakkelijkst met het apparaat door de handgreep 45° te kantelen en langzaam kleine stukjes schoon te maken.
- ◆ Gebruik in de stoomreiniger alleen water zonder toevoegingen en chemicaliën. U kunt hardnekkige vlekken uit vinyl- of linoleumvloeren verwijderen door ze, voor u de stoomreiniger gebruikt, voor te behandelen met een mild reinigingsmiddel en wat water.

## Stoomreinigen met de reiniger

- ◆ Breng de handstoomreiniger (5) aan op de romp van de stoomreiniger (11).

- ◆ Plaats een reinigingsdoek (13) op de vloer met de klittenband-zijde naar boven.
- ◆ Druk de stoomreiniger licht op de reinigingsdoek (13).
- ◆ Steek de stekker van de stoomreiniger in het stopcontact.
- ◆ Druk op de AAN/UIT-knop (1). Het opwarmen van de stoomreiniger duurt ongeveer 15 seconden.
- ◆ Draai de Autoselect™-knop (2) tot de gewenste instelling is bereikt. Na een paar seconden begint er stoom uit de stoomkop te komen.

**Opmerking!** Wanneer u de stoomreiniger voor de eerste keer vult of nadat de watertank leeg is geweest, kan het tot wel 45 seconden duren voordat er stoom wordt geproduceerd.

- ◆ Het duurt een aantal seconden voordat de stoom in de reinigingsdoek komt. De stoomreiniger glijdt nu gemakkelijk over het oppervlak dat moet worden gereinigd.
- ◆ Duw en trek de stoomreiniger langzaam over de vloer zodat deze in delen grondig met stoom wordt gereinigd.
- ◆ Wanneer u klaar bent met de stoomreiniger, zet dan de handgreep (8) weer rechtop, en let er daarbij op dat de handgreep wordt ondersteund en schakel het apparaat uit ('OFF'). Wacht tot de stoomreiniger is afgekoeld (ongeveer vijf minuten).

**Let op!** Het is belangrijk dat goed let op het waterniveau in de watertank. Wanneer u de watertank wilt vullen en daarna wilt doorgaan met reinigen, zet de handgreep dan rechtop en schakel de stoomreiniger 'UIT'. Haal de stekker uit het stopcontact, vul de watertank.

**Let op!** Laat de stoomreiniger nooit langere tijd op één plek op een oppervlak staan. Zet de stoomreiniger altijd met de handgreep (8) rechtop neer en let erop dat u de stoomreiniger uitschakelt, wanneer u het apparaat niet gebruikt.

## Tapijtopfrissing

- ◆ Plaats een reinigingsdoek (13) op de vloer met de klittenband-zijde naar boven.
- ◆ Druk de stoomreiniger licht op de reinigingsdoek.
- ◆ Plaats de tapijtglijder (12b) op de vloer.
- ◆ Druk de stoomreiniger licht op de tapijtglijder tot deze vastklikt.
- ◆ Steek de stekker van de stoomreiniger in het stopcontact.
- ◆ Druk op de AAN/UIT-knop (1). Het opwarmen van de stoomreiniger duurt ongeveer 15 seconden.
- ◆ Draai de Autoselect™-knop (2) naar de instelling Hout/Laminaat.
- ◆ Duw en trek de stoomreiniger langzaam over het tapijt en fris het in gedeelten grondig op.
- ◆ Wanneer u klaar bent met de stoomreiniger, zet dan de handgreep (8) weer rechtop, en schakel het apparaat uit ('OFF'). Wacht tot de stoomreiniger is afgekoeld (ongeveer vijf minuten).

**Na gebruik**

- ◆ Draai de Autoselect™-knop (2) naar de stand OFF.
- ◆ Wacht tot de stoomreiniger is afgekoeld.
- ◆ Haal de stekker van de stoomreiniger uit het stopcontact.
- ◆ Giet de watertank leeg.
- ◆ maak de reinigingsdoek (13) los en was de doek voor een volgend gebruik (Volg vooral de wasinstructies die op de reinigingsdoek zijn afgedrukt).
- ◆ Wind het snoer om de opberghaken (7 en 9).
- ◆ Er is een ophanghaak (15) ingebouwd in de handgreep (6), en u kunt daarmee de stoomreiniger aan een geschikte haak aan de wand ophangen. Controleer altijd dat de wandhaak stevig genoeg is voor het gewicht van de stoomreiniger.

**Handstoomreinigen**

**Waarschuwing!** Het apparaat zal alleen voldoende stroom produceren wanneer het is aangesloten op de romp (11) en de stoomslang (16) is geplaatst.

**Waarschuwing!** Alleen in de horizontale stand te gebruiken.

- ◆ Bevestig het benodigde hulpstuk.
- ◆ Steek de stekker van de handstoomreiniger in het stopcontact.
- ◆ Druk op de AAN/UIT-knop (1). Het opwarmen van de stoomreiniger duurt ongeveer 15 seconden.
- ◆ Draai de Autoselect™-knop (2) tot de gewenste instelling is bereikt. Na een paar seconden begint er stoom uit de stoomkop te komen.

**Opmerking!** Wanneer u de stoomreiniger voor de eerste keer vult of nadat de watertank leeg is geweest, kan het tot wel 45 seconden duren voordat er stoom wordt geproduceerd.

- ◆ Draai, wanneer u klaar bent met het werken met de stoomtreinen gaan, de Autoselect™-knop (2) in de stand OFF. Schakel het apparaat uit door op de aan/uit-knop (ON/OFF) (1) te drukken en trek de stekker uit het stopcontact. Wacht even (ongeveer vijf minuten) met opbergen tot het apparaat is afgekoeld.

**Accessoires**

De prestaties van het apparaat zijn afhankelijk van de gebruikte accessoires. Accessoires van BLACK+DECKER zijn ontworpen volgens hoge kwaliteitsnormen en zij verhogen de prestaties van uw apparaat. Door deze accessoires te gebruiken kunt u uw apparatuur optimaal laten presteren.

**Technische gegevens**

FSMH1321		
Spanning	V <sub>sc</sub>	230
Elektrisch	W	1300
Tankcapaciteit	ml	500
Gewicht	kg	2,7
FSMH1351SM		
Spanning	V <sub>sc</sub>	230
Elektrisch	W	1300
Tankcapaciteit	ml	500
Gewicht	kg	2,7
FSMH13101SM		
Spanning	V <sub>sc</sub>	230
Elektrisch	W	1300
Tankcapaciteit	ml	500
Gewicht	kg	2,8
FSMH13151SM		
Spanning	V <sub>sc</sub>	230
Elektrisch	W	1300
Tankcapaciteit	ml	500
Gewicht	kg	2,8
FSMH1321J		
Spanning	V <sub>sc</sub>	230
Elektrisch	W	1300
Tankcapaciteit	ml	500
Gewicht	kg	2,7
FSMH1321JSM		
Spanning	V <sub>sc</sub>	230
Elektrisch	W	1300
Tankcapaciteit	ml	500
Gewicht	kg	2,8
FSMH1321JMD		
Spanning	V <sub>sc</sub>	230
Elektrisch	W	1300
Tankcapaciteit	ml	500
Gewicht	kg	2,8

**Problemen oplossen**

Ga te werk volgens onderstaande instructies, als de machine niet goed lijkt te functioneren. Neem contact op met het BLACK+DECKER-servicecentrum bij u in de buurt, als u het probleem niet kunt verhelpen.

Probleem	Stap	Mogelijke oplossing
De stoomreiniger werkt niet	1.	Controleer dat de stekker van de unit in het stopcontact zit.
	2.	Controleer dat de unit is ingeschakeld met de AAN/UIT-schakelaar (1)
	3.	Controleer de zekering.

Probleem	Stap	Mogelijke oplossing
De stoomreiniger produceert geen stoom	4.	De stoomreiniger produceert alleen stoom als de handstoomreiniger (5) goed in de romp (11) van het apparaat is geplaatst, de stoomslang is geplaatst en de Autoselect™ op ON is gezet
	5.	Controleer dat de watertank vol is. <b>Opmerking:</b> Wanneer u de stoomreiniger voor de eerste keer vult of nadat de watertank leeg is geweest, kan het tot wel 45 seconden duren voordat er stoom wordt geproduceerd.
	6.	Controleer stap 1, dan 2, dan 3.
De stoomreiniger produceert tijdens het werken geen stoom meer	7.	Controleer stap 4, dan 5, dan 3.
De stoomreiniger produceert tijdens het werken te veel stoom	8.	Beperk de hoeveelheid stoom die wordt geproduceerd door de Autoselect™-knop (2) naar links te draaien
De stoomreiniger produceert tijdens het werken te weinig stoom	9.	Laat de hoeveelheid stoom die wordt geproduceerd toenemen door de Autoselect™-knop (2) naar rechts te draaien
Er komt geen stoom uit de handstoomreiniger	10.	Controleer dat de Autoselect™-knop (2) in de stand ON staat.
	11.	Controleer stap 5, dan 1, dan 2, dan 3.
De handstoomreiniger produceert tijdens het werken te weinig stoom	12.	Laat de hoeveelheid stoom die wordt geproduceerd toenemen door de Autoselect™-knop (2) naar rechts te draaien
	13.	Controleer stap 5
De handstoomreiniger produceert tijdens het werken te veel stoom	14.	Beperk de hoeveelheid stoom die wordt geproduceerd door de Autoselect™-knop (2) naar links te draaien
De hulpstukken blijven van het apparaat vallen	15.	Raadpleeg het hoofdstuk van de handleiding met de instructies voor de juiste bevestiging van onderdelen en hulpstukken.
Er ontsnapt stoom uit het apparaat op plaatsen waar u dat niet verwacht	16.	Raadpleeg het hoofdstuk van de handleiding met de instructies voor de juiste bevestiging van onderdelen en hulpstukken.
Waar kan ik meer informatie/hulpstukken verkrijgen	17.	<a href="http://www.blackanddecker.co.uk/steam mop">www.blackanddecker.co.uk/steam mop</a> <a href="http://www.blackanddecker.ie/steam mop">www.blackanddecker.ie/steam mop</a>

**Uso previsto**

Las mopas de vapor FSMH1321, FSMH13515M, FSMH13101SM, FSMH13151SM, FSMH1321J, FSMH1321JSM, FSMH1321JMD de BLACK+DECKER™ han sido diseñadas para la desinfección y la limpieza de los suelos de madera dura sellada, material laminado sellado, linóleo, vinilo, baldosas de cerámica, piedra, y mármol. Este aparato ha sido concebido únicamente para uso doméstico en interiores.

**Instrucciones de seguridad**

**Advertencia. Lea detenidamente todos los capítulos de seguridad, mantenimiento y servicio antes de utilizar este aparato. Lea todo el manual detenidamente antes de utilizar el aparato.**



**Etiquetas del aparato**

Los siguientes pictogramas están colocados junto al código en el aparato.



**PRECAUCIÓN Vapor caliente**



**Chorro de agua cuando se usa dado vuelta**



**El vapor sale por todas partes**



**No dejar sin vigilancia con niños pequeños**



**Lavar únicamente a mano**

**Características**

Este aparato incluye una o más de las siguientes características.

1. Interruptor de encendido/apagado
2. Mando Autoselect™
3. Empuñadura del limpiador de vapor a mano
4. Tapón de llenado
5. Limpiador a vapor de mano
6. Empuñadura
7. Gancho superior para recogida del cable
8. Mango principal
9. Gancho inferior para recogida del cable
10. Botón de extracción del limpiador de vapor a mano
11. Cuerpo principal
12. Cabeza para limpieza de suelos
- 12a. Cabeza para limpieza de suelos con chorro de vapor
- 12b. Deslizador para alfombras (para usar sobre alfombras)

13. Almohadilla para limpieza de suelos
14. Lengüeta de extracción de la almohadilla para limpieza de suelos
15. Soporte para colgar
16. Manguera de vapor
17. Boquilla de vapor
18. Cepillo angular  
(para usar en manchas difíciles de remover)
19. Cepillo  
(para usar en baldosas / cemento)
20. Escobilla de goma  
(para usar en mamparas de ducha / cristales / espejos / ropa / tapicería)
- 20a. Almohadilla limpiadora para la escobilla de goma
21. Escobilla de goma grande  
(para usar en mamparas de ducha / cristales / espejos / ropa / tapicería)
- 21a. Almohadilla limpiadora para la escobilla de goma grande
22. Cepillo para chorro de vapor
- 22a. Cepillo de alambre para chorro de vapor  
(para usar en parrillas / hornos)
- 22b. Cepillo para chorro de vapor  
(para usar en parrillas / hornos / quemadores de hornos / grifos / lechadas de cemento)
- 22c. Cepillo ancho para chorro de vapor  
(para usar en grandes superficies de trabajo)
23. Cabeza triangular  
(para usar sobre ropa / tapicería / grandes superficies de trabajo)
- 23a. Almohadilla limpiadora para superficies planas
- 23b. Acoplamiento para vaporizar prendas  
(para usar con ropa / tapicería)
- 23c. Cepillo para vaporizar prendas  
(para usar con ropa / tapicería)
- 23d. Almohadilla para vaporizar prendas  
(para usar con ropa / tapicería)
24. Almohadilla para vaporizar tejidos y prendas  
(para usar con ropa / tapicería)
25. SteaMitt™
26. Manguera del SteaMitt™
27. Almohadilla limpiadora del SteaMitt™
28. Boquilla ajustable

### Configuración

	F S M H 1 3 2 1	F S M H 1 3 5 1 S M	F S H 1 3 1 0 1 S M	F S M H 1 3 1 5 1 S M	F S M H 1 3 1 5 1 S M	F S M H 1 3 2 1 J	F S M H 1 3 2 1 J S M	F S M H 1 3 2 1 J M D	S E T T I N G S
12	✓	✓	✓	✓	✓	✓	✓	✓	Todo
12a			✓	✓	✓	✓	✓	✓	Todo
12b				✓	✓	✓	✓	✓	Todo
13	✓	✓	✓	✓	✓	✓	✓	✓	Todo
16	✓	✓	✓	✓	✓	✓	✓	✓	Todo
18	✓	✓		✓	✓	✓	✓	✓	*
19	✓	✓	✓			✓	✓	✓	***
20	✓	✓	✓	✓	✓	✓	✓	✓	*
20a	✓	✓	✓	✓	✓	✓	✓	✓	*
21									*
21a									*
22				✓	✓				Todo
22a				✓	✓				Todo
22b				✓	✓				Todo
22c				✓	✓				Todo
23									Todo
23a									Todo
23b									*
23c									*
23d									*
24									*
25				✓	✓				N/A
28					✓				TODO

### Ensamblaje



Advertencia. Antes de llevar a cabo cualquiera de las siguientes instrucciones, asegúrese de que el aparato está apagado, desenchufado y frío, y de que no contenga agua.

### Instalación del mango (Fig. A)

- ◆ Deslice el extremo inferior del mango (8) hacia el extremo superior del cuerpo de la mopa de vapor (11) hasta que encaje en su sitio.

**Colocación del limpiador a vapor de mano (Fig. B)**

- ◆ Sujetando el cuerpo de la mopa de vapor (11) por la parte posterior, empuje el limpiador a vapor de mano (5) firmemente hacia el cuerpo de la mopa de vapor (11) asegurándose de que se inserte correctamente en el acoplamiento (11a) hasta que encaje en su sitio.

**Desmontaje del limpiador a vapor de mano (Fig. B)**

- ◆ Pulse el botón de extracción (10) del cuerpo principal (11) y saque el limpiador a vapor de mano (5) del acoplamiento (11a) del cuerpo principal (11).

**Instalación de la almohadilla limpiadora (Fig. C)**

Las almohadillas limpiadoras de repuesto están disponibles en el distribuidor de BLACK+DECKER más cercano (cat. n.º FSMP20-XJ).

- ◆ Coloque una almohadilla limpiadora (13) en el suelo con la cinta de velcro con fibras en bucle hacia arriba.
- ◆ Empuje suavemente la mopa de vapor hacia abajo sobre la almohadilla limpiadora (13).

**Nota:** Esta unidad puede suministrarse con una cabeza estándar para limpieza de suelos (12) o con una cabeza para limpieza con chorro de vapor (12a). En ambos casos, siga estas instrucciones para colocar una almohadilla limpiadora.

**Precaución.** Durante un imprevisto, no deje nunca la mopa de vapor en el mismo sitio sobre ningún tipo de superficie, aunque sea por poco tiempo. Coloque siempre la mopa de vapor con el mango (8) en posición vertical cuando esté parada y asegúrese de que esté apagada cuando no la use.

**Extracción de la almohadilla limpiadora**

**Precaución.** Utilice siempre un calzado adecuado cuando cambie la almohadilla limpiadora de la mopa de vapor. No utilice zapatillas o calzado abierto.

- ◆ Vuelva a colocar el mango (8) en posición vertical y coloque el interruptor de la mopa de vapor en posición de apagado.
- ◆ Espere a que la mopa de vapor se enfríe (aproximadamente 5 minutos).
- ◆ Levante la mopa de la almohadilla limpiadora liberándola de la sujeción de velcro.

**Precaución.** Durante un imprevisto, no deje nunca la mopa de vapor en el mismo sitio sobre ningún tipo de superficie, aunque sea por poco tiempo.

Coloque siempre la mopa de vapor con el mango (8) en posición vertical cuando esté parada y asegúrese de que esté apagada cuando no la use.

**Llenado del depósito de agua (Fig. Q)**

**Nota.** Llene el depósito con agua limpia del grifo (no use productos químicos ni aditivos).

**Nota.** En zonas con agua dura, se recomienda el uso de agua desionizada.

- ◆ Gire el tapón de llenado (4) hacia arriba para abrirlo.
- ◆ Llene el depósito con agua limpia del grifo (no use productos químicos ni aditivos).

**Advertencia.** Para el llenado, separe la unidad principal y manténgala en posición horizontal.

**Advertencia.** La capacidad del depósito de agua es de 0.5 litros. No llene en exceso el depósito.

- ◆ Cierre el tapón de llenado (4).

**Nota.** Asegúrese de que el tapón de llenado esté bien colocado.

**Instalación del deslizador para alfombras (12b) (Solo para el uso en alfombras)**

- ◆ Coloque el deslizador para alfombras (12b) en el suelo.
- ◆ Coloque una almohadilla limpiadora a la cabeza para limpieza de suelos (12)
- ◆ Empuje suavemente la mopa de vapor hacia abajo sobre el deslizador para alfombras (12b) hasta que encaje en su lugar.

**Precaución.** Durante un imprevisto, no deje nunca la mopa de vapor en el mismo sitio sobre ningún tipo de superficie, aunque sea por poco tiempo. Coloque siempre la mopa de vapor con el mango (8) en posición vertical cuando esté parada y asegúrese de que esté apagada cuando no la use.

**Extracción del deslizador para alfombras**

**Precaución.** Utilice siempre un calzado adecuado cuando cambie el deslizador para alfombras de la mopa de vapor. No utilice zapatillas o calzado abierto.

- ◆ Vuelva a colocar el mango (8) en posición vertical y coloque el interruptor de la mopa de vapor en posición de apagado.
- ◆ Espere a que la mopa de vapor se enfríe (aproximadamente 5 minutos).
- ◆ Coloque la punta del zapato en la lengüeta de extracción del deslizador para alfombras y presione hacia abajo con firmeza.
- ◆ Extraiga la mopa de vapor del deslizador para alfombras.

**Precaución.** Durante un imprevisto, no deje nunca la mopa de vapor en el mismo sitio sobre ningún tipo de superficie, aunque sea por poco tiempo. Coloque siempre la mopa de vapor con el mango (8) en posición vertical cuando esté parada y asegúrese de que esté apagada cuando no la use.

**Colocación de la manguera y los accesorios en el limpiador a vapor de mano (Fig. G - O)**

**Advertencia.** Inspeccione la junta entre el punto de conexión del limpiador a vapor de mano (5) y la manguera de vapor (16) antes de cada uso. Si la junta no ajusta bien o está dañada, póngase en contacto con su agente de servicio técnico autorizado más cercano. No utilice el aparato.

## Colocación de la manguera

- ◆ Pulse el botón de extracción de la manguera de vapor (16a) de la manguera de vapor (16).
- ◆ Conecte la manguera de vapor (16) al limpiador de vapor a mano (5) y suelte el botón de extracción de la manguera de vapor (16a) asegurándose de que haga clic.

**Importante:** Asegúrese de que la manguera (16) esté correctamente fijada al limpiador de vapor a mano (5). Si sale vapor de la junta, la junta está mal colocada. Apague la unidad y espere a que se enfríe antes de extraer y volver a colocar la manguera.

## Colocación de accesorios (Fig. H)

- ◆ Alinee las aletas de la boquilla de vapor (17) con las hendiduras del accesorio.
- ◆ Presione el accesorio en la manguera (17) y gírelo en sentido contrario al de las agujas del reloj hasta que encaje en su lugar.

**Importante:** Todos los accesorios, salvo el SteaMitt™ (25) que tiene su propia manguera y conector (26), deben estar conectados a la manguera de vapor (16) para usarlos.

## Extracción de la manguera y los accesorios

**Advertencia.** La manguera de vapor (16), la boquilla de vapor (17) y los accesorios se calientan durante el uso. Espere a que la unidad y todos los accesorios se enfríen antes de extraerlos.

## Extracción de accesorios

- ◆ Gire el accesorio en el sentido de las agujas del reloj y extraígalo de la manguera (16).

## Extracción de la manguera

- ◆ Pulse el botón de extracción de la manguera de vapor (16a) de la manguera de vapor (16) y sáquela de la limpiadora de vapor a mano.

## SteaMitt™

El SteaMitt™ de BLACK+DECKER™ ha sido diseñado para la desinfección y limpieza de baldosas, superficies de trabajo, encimeras y superficies de baños. Este aparato ha sido concebido únicamente para uso doméstico en interiores.

## Colocación de la manguera del SteaMitt™ al limpiador a vapor de mano

**Advertencia.** Inspeccione la junta entre el punto de conexión del limpiador a vapor de mano (5) y la manguera del SteaMitt™ (26) antes de cada uso. Si la junta no ajusta bien o está dañada, póngase en contacto con su agente de servicio técnico autorizado más cercano. No utilice el aparato.

- ◆ Pulse el botón de extracción de la manguera del SteaMitt™ de la manguera del SteaMitt™ (26).

- ◆ Conecte la manguera del SteaMitt™ (26) al limpiador de vapor a mano (5) y suelte el botón de extracción de la manguera del SteaMitt™ asegurándose de haga clic.

**Importante:** Asegúrese de que la manguera del SteaMitt™ (26) esté correctamente fijada al limpiador de vapor a mano (5).

Si sale vapor de la junta, la junta está mal colocada. Apague la unidad y espere a que se enfríe antes de extraer y volver a colocar la manguera.

## Colocación de la almohadilla limpiadora al SteaMitt™ (Fig. L)

- ◆ Coloque la almohadilla limpiadora (27) al SteaMitt™ (25) uniendo las cintas de velcro con las fibras en bucle (27a) de la parte superior de la almohadilla limpiadora a las almohadillas con el velcro con ganchos (25a) de la parte inferior del SteaMitt™ (4). Apriete bien hacia abajo.

**Advertencia.** El SteaMitt™ no debe usarse sin colocar una almohadilla limpiadora.

**Nota:** Con el SteaMitt™ pueden usarse 3 tipos de almohadillas limpiadoras de diferentes espesores. La más fina puede usarse para limpiar formas 3D tales como grifos, etc. Las versiones más gruesas puede usarse para zonas planas más grandes.

⚠ **Advertencia.** Use siempre el SteaMitt™ como se muestra en la figura M, con la mano dentro del guante protector.

⚠ **Advertencia.** Nunca intente usar el SteaMitt™ sujetándolo externamente como se muestra en la figura N. Se producirán quemaduras.

⚠ **Advertencia.** Evite usar el SteaMitt™ en ángulos estrechos como se muestra en la figura O.

⚠ **Advertencia.** Si se produce algún problema durante el uso, use la lengüeta de extracción rápida para sacarse velozmente el SteaMitt™ de la mano como se muestra en la figura P.

⚠ **Advertencia.** No use el SteaMitt™ sobre cristales fríos tales como el de las ventanas pues pueden producirse daños por el cambio brusco de temperatura.

⚠ **Advertencia.** Nunca apunte o dirija el guante hacia usted mismo ni hacia otra persona.

**Nota:** El botón de vapor variable está desconectado cuando el SteaMitt™ está colocado, por lo tanto el flujo de vapor es limitado.



## Uso

**Importante:** Esta unidad elimina el 99.9 % de las bacterias y los gérmenes si se utiliza de acuerdo con este manual, con las almohadillas de microfibra puestas y durante un lapso continuado de 90 segundos.

## Encendido y apagado

- ◆ Para encender el aparato, pulse el botón de encendido y apagado (1). La mopa de vapor tarda aproximadamente 15 segundos en calentarse.
- ◆ Para apagar el aparato, pulse el botón de encendido y apagado (1).

**Nota:** tenga siempre la mano dentro del SteaMitt™ antes de pulsar el botón de vapor.

**Precaución.** Durante un imprevisto, no deje nunca la mopa de vapor en el mismo sitio sobre ningún tipo de superficie, aunque sea por poco tiempo.

Coloque siempre la mopa de vapor con el mango (8) en posición vertical cuando esté parada y asegúrese de que esté apagada cuando no la use.


**Precaución.** Vacíe siempre la mopa de vapor después de utilizarla.

**Nota.** Puede que tarde hasta 45 segundos en producir vapor al llenarla por primera vez o después de utilizarla en seco.

## Tecnología Autoselect™ (Fig. R)

Esta mopa de vapor cuenta con el mando Autoselect™ (2) que presenta varias aplicaciones de limpieza. Se utilizan para seleccionar el modo de funcionamiento correcto para cada trabajo de limpieza en particular.

Mediante Autoselect™, seleccione una de las siguientes aplicaciones girando el mando Autoselect™ (2) para seleccionar el ajuste que desee:

Configuración	Mopa	Limpiador a mano
	Madera/ Laminado	Vapor a alta temperatura para ventanas ●
	Piedra/Mármol	● ●
	Baldosas/Vinilo	Vapor a baja temperatura para suciedad persistente ● ● ● ●

La mopa de vapor seleccionará el volumen correcto de vapor que requiere esta operación de limpieza en particular.

**Nota:** Compruebe siempre que esté utilizando el ajuste correcto antes de utilizar la mopa de vapor.

## Chorro de vapor (Fig. C1) (disponible solo con las unidades FSMH1310SM, FSMH13151SM)

La cabeza para suelos (12a) está equipada con un pedal de chorro de vapor que ayuda a eliminar las marcas y las manchas más persistentes.

- ◆ Durante el uso, pulse el pedal del chorro de vapor para aplicar un poder de limpieza adicional.
- ◆ Para volver a la configuración normal, vuelva a pulsar el pedal.

## Consejos por un uso óptimo

### Información general

**Precaución:** No utilice nunca la mopa de vapor sin colocar primero una almohadilla limpiadora.

- ◆ Antes de utilizar la mopa de vapor, aspire o barra siempre el suelo.
- ◆ La manera más fácil de utilizar el aparato consiste en inclinar el mango hasta un ángulo de 45° y limpiar lentamente, cubriendo una zona pequeña por vez.
- ◆ Use agua solamente, sin ningún producto químico ni aditivos con su mopa de vapor. Para eliminar las manchas resistentes de los suelos de vinilo o linóleo, puede tratarlas con un detergente suave y un poco de agua antes de utilizar la mopa de vapor.

## Limpieza a vapor con la mopa

- ◆ Coloque el limpiador a vapor de mano (5) en el cuerpo de la mopa de vapor (11).
- ◆ Coloque una almohadilla limpiadora (13) en el suelo con la cinta de velcro con fibras en bucle hacia arriba.
- ◆ Empuje suavemente la mopa de vapor hacia abajo sobre la almohadilla limpiadora (13).
- ◆ Conecte la mopa de vapor a la corriente.
- ◆ Pulse el botón de encendido y apagado (1). La mopa de vapor tarda aproximadamente 15 segundos en calentarse.
- ◆ Gire el mando Autoselect™ (2) hasta la configuración deseada. Al cabo de pocos segundos, comenzará a salir vapor de la cabeza de vapor.

**Nota.** Puede que tarde hasta 45 segundos en producir vapor al llenarla por primera vez o después de utilizarla en seco.

- ◆ Transcurren unos segundos hasta que el vapor llega a la almohadilla limpiadora. A continuación, la mopa de vapor podrá deslizarse con facilidad sobre la superficie que desee desinfectar o limpiar.
- ◆ Arrastre lentamente la mopa de vapor hacia delante y hacia atrás por la superficie para limpiar a fondo cada sección.
- ◆ Cuando haya terminado de usar la mopa, vuelva a poner el mango (8) en posición vertical y compruebe que esté apoyada y apagada. Espere a que la mopa de vapor se enfríe (aproximadamente cinco minutos).

**Precaución.** Es importante que controle el nivel del depósito de agua. Para llenar el depósito de agua y continuar con la desinfección o limpieza coloque la mopa en posición vertical, compruebe que el mango quede apoyado y apague la mopa. Desenchufe la unidad de la toma eléctrica de la pared y llene el depósito de agua.

**Precaución.** Durante un imprevisto, no deje nunca la mopa de vapor en el mismo sitio sobre ningún tipo de superficie, aunque sea por poco tiempo. Coloque siempre la mopa de vapor con el mango (8) en posición vertical cuando esté parada y asegúrese de que esté apagada cuando no la use.

**Renovación del aspecto de las alfombras**

- ◆ Coloque una almohadilla limpiadora (13) en el suelo con la cinta de velcro con fibras en bucle hacia arriba.
- ◆ Empuje suavemente la mopa de vapor hacia abajo sobre la almohadilla limpiadora .
- ◆ Coloque el deslizador para alfombras (12b) en el suelo.
- ◆ Empuje suavemente la mopa de vapor hacia abajo sobre el deslizador para alfombras hasta que encaje en su lugar.
- ◆ Conecte la mopa de vapor a la corriente.
- ◆ Pulse el botón de encendido y apagado (1). La mopa de vapor tarda aproximadamente 15 segundos en calentarse.
- ◆ Gire el mando Autoselect™ (2) hasta la configuración de Madera/Laminado.
- ◆ Arrastre lentamente la mopa de vapor hacia delante y hacia atrás por la alfombra para refrescar a fondo cada sección.
- ◆ Cuando haya terminado de usar la mopa, vuelva a poner el mango (8) en posición vertical y compruebe que esté apoyada y apagada. Espere a que la mopa de vapor se enfríe (aproximadamente cinco minutos).

**Después de la utilización**

- ◆ Gire el mando Autoselect™ (2) hasta la posición de apagado.
- ◆ Espere a que la mopa de vapor se enfríe.
- ◆ Desenchufe la mopa de vapor de la toma de corriente de la pared.
- ◆ Vacíe el depósito de agua.
- ◆ Extraiga la almohadilla limpiadora (13) y lávela para tenerla lista para el próximo uso (tenga cuidado de seguir las instrucciones de lavado impresas en la almohadilla limpiadora).
- ◆ Enrole el cable de alimentación alrededor de los ganchos de recogida del cable (7 y 9).
- ◆ La mopa de vapor tiene también un soporte para colgar (15) incorporado en la empuñadura (6) que permite colgarla en la pared usando un gancho adecuado. Asegúrese siempre de que el gancho de la pared puede aguantar sin peligro el peso de la mopa de vapor.

**Limpiador a vapor de mano**

**Advertencia.** La unidad no generará vapor hasta que esté conectada al cuerpo principal (11) o hasta que esté conectada la manguera de vapor (16).

**Advertencia.** Use solo en posición horizontal.

- ◆ Coloque el accesorio que necesite.
- ◆ Conecte el limpiador a vapor de mano a la corriente.
- ◆ Pulse el botón de encendido y apagado (1). La mopa de vapor tarda aproximadamente 15 segundos en calentarse.
- ◆ Gire el mando Autoselect™ (2) hasta la configuración deseada. Al cabo de pocos segundos, comenzará a salir vapor de la cabeza de vapor.

**Nota.** Puede que tarde hasta 45 segundos en producir vapor al llenarla por primera vez o después de utilizarla en seco.

- ◆ Cuando haya terminado de usar el limpiador a vapor de mano, gire el mando Autoselect™ (2) hacia la posición de apagado. Apague la unidad pulsando el botón de encendido/apagado (1) y desenchúfela de la corriente. Espere a que la unidad se enfríe antes de guardarla (aproximadamente cinco minutos).

**Accesorios**

El rendimiento del aparato depende de los accesorios que utilice. Los accesorios de BLACK+DECKER han sido fabricados siguiendo estándares de alta calidad y han sido diseñados para mejorar el funcionamiento del aparato. Con estos accesorios, sacará el máximo provecho a su equipo.

**Datos técnicos**

FSMH1321		
Tensión	V <sub>ca</sub>	230
Alimentación	W	1300
Capacidad del depósito	ml	500
Peso	kg	2.7
FSMH1351SM		
Tensión	V <sub>ca</sub>	230
Alimentación	W	1300
Capacidad del depósito	ml	500
Peso	kg	2.7
FSMH13101SM		
Tensión	V <sub>ca</sub>	230
Alimentación	W	1300
Capacidad del depósito	ml	500
Peso	kg	2.8
FSMH13151SM		
Tensión	V <sub>ca</sub>	230
Alimentación	W	1300
Capacidad del depósito	ml	500
Peso	kg	2.8

FSMH1321		
Tensión	V <sub>ca</sub>	230
Alimentación	W	1300
Capacidad del depósito	ml	500
Peso	kg	2.7
FSMH1351SM		
Tensión	V <sub>ca</sub>	230
Alimentación	W	1300
Capacidad del depósito	ml	500
Peso	kg	2.7
FSMH13101SM		
Tensión	V <sub>ca</sub>	230
Alimentación	W	1300
Capacidad del depósito	ml	500
Peso	kg	2.7
FSMH1321JSM		
Tensión	V <sub>ca</sub>	230
Alimentación	W	1300
Capacidad del depósito	ml	500
Peso	kg	2.8
FSMH1321JMD		
Tensión	V <sub>ca</sub>	230
Alimentación	W	1300
Capacidad del depósito	ml	500
Peso	kg	2.8

## Resolución de problemas

Si nota que el aparato no funciona bien, siga las instrucciones que se indican a continuación. Si no se resuelve el problema, póngase en contacto con un técnico autorizado de BLACK+DECKER.

Problema	Paso	Posible solución
La mopa no se apaga	1.	Compruebe que el aparato esté enchufado en una toma de corriente de pared.
	2.	Compruebe que el aparato esté encendido usando el interruptor de apagado y encendido (1)
	3.	Compruebe el fusible del enchufe.
La mopa no genera vapor	4.	La mopa de vapor producirá calor solo si el limpiador a vapor de mano (5) está correctamente acoplado en el cuerpo principal (11), la manguera de vapor está colocada y el Autoselect™ está encendido.
	5.	Compruebe que el tanque de agua esté lleno. <b>Nota:</b> Puede que tarde hasta 45 segundos en producir vapor al llenarla por primera vez o después de utilizarla en seco.
	6.	Compruebe los pasos 1, 2 y 3.

Problema	Paso	Posible solución
La mopa deja de producir vapor durante el uso	7.	Compruebe los pasos 4, 5 y 3.
La mopa de vapor produce demasiado vapor durante el uso	8.	Gire el mando Autoselect™ (2) en sentido antihorario para reducir la cantidad de vapor producido
La mopa produce demasiado poco vapor durante el uso	9.	Gire el mando Autoselect™ (2) en sentido horario para aumentar la cantidad de vapor producido
El limpiador a vapor de mano no produce vapor	10.	Compruebe que el mando Autoselect™ (2) esté en la posición de encendido.
	11.	Compruebe los pasos 5, 1, 2 y 3.
El limpiador a vapor de mano produce demasiado poco vapor durante el uso	12.	Gire el mando Autoselect™ (2) en sentido horario para aumentar la cantidad de vapor producido
	13.	Compruebe el paso 5
El limpiador a vapor de mano produce demasiado vapor durante el uso	14.	Gire el mando Autoselect™ (2) en sentido antihorario para reducir la cantidad de vapor producido
Los accesorios se desprenden de la unidad	15.	Consulte el capítulo del manual sobre montaje para ver las instrucciones para colocar correctamente las piezas y los accesorios.
El vapor sale por partes no previstas de la unidad	16.	Consulte el capítulo sobre montaje del manual para ver las instrucciones para colocar correctamente las piezas y los accesorios.
¿Dónde puedo obtener más información/ accesorios?	17.	<a href="http://www.blackanddecker.co.uk/steam mop">www.blackanddecker.co.uk/steam mop</a> <a href="http://www.blackanddecker.ie/steam mop">www.blackanddecker.ie/steam mop</a>

(Tradução das instruções originais)

**PORTUGUÊS**

## Utilização pretendida

A sua BLACK+DECKER™ FSMH1321, FSMH13515M, FSMH13101SM, FSMH13151SM, FSMH1321J, FSMH1321JSM, FSMH1321JMD foi concebida para desinfetar e limpar chãos de madeiras duras seladas, laminados selados, linóleo, vinil, mosaicos, pedra e mármore. Este aparelho destina-se apenas a utilização doméstica em interiores.

## Instruções de segurança



**Atenção! Leia com atenção todo o manual “Segurança, Manutenção, Reparação” antes de utilizar o aparelho.**

Leia com atenção todo o manual antes de utilizar este aparelho.

## Rótulos do aparelho

Os seguintes pictogramas, assim como o código de data, estão indicados na ferramenta.



**CUIDADO Vapor quente**



Se for utilizado ao contrário, há saída de gotas de água



Há saída de vapor por todos os lados



Não deixe que a máquina seja utilizada por crianças sem supervisão



Só lavar as mãos

**Componentes**

Este aparelho inclui algumas ou todas as seguintes características.

1. Interruptor de ligar/desligar
2. Mostrador Autoselect™
3. Pega da unidade de vapor manual
4. Tampão de enchimento
5. Unidade de vapor manual
6. Pega
7. Gancho superior de organização dos cabos
8. Pega principal
9. Gancho inferior de organização dos cabos
10. Botão de libertação da unidade de vapor manual
11. Corpo principal
12. Cabeça de limpeza do chão
- 12a. Cabeça de limpeza do chão com jacto de vapor
- 12b. Acessório para alcatifas (para uso em alcatifas)
13. Pano de limpeza para chão
14. Patilha de libertação do pano de limpeza para chão
15. Suporte para pendurar
16. Mangueira de vapor
17. Bocal de vapor
18. Acessório para escova em ângulo (para utilização em manchas difíceis de remover)
19. Acessório da escova (para utilização em azulejos/calda de cimento)
20. Acessório de rodos (para utilização em resguardos para duche/vidro/espelhos/vestuário/estofos)
- 20a. Bolsa para rodos
21. Acessório de rodo grande

(para utilização em resguardos para duche/vidro/espelhos/vestuário/estofos)

- 21a. Bolsa para rodos grande
22. Unidade de escovagem com jacto de vapor
- 22a. Escova metálica com jacto de vapor (para utilizar em churrascos/fornos)
- 22b. Escova com jacto de vapor (para utilização em churrascos/fornos/placas de fornos/torneiros/calda de cimento)
- 22c. Escova grande com jacto de vapor (para utilização em superfícies de trabalho maiores)
23. Cabeça delta (para utilização em vestuário/estofos/superfícies de trabalho maiores)
- 23a. Pano de limpeza para superfícies planas
- 23b. Vaporizador de roupa (para uso em vestuário/estofos)
- 23c. Escova de vaporização de roupa (para uso em vestuário/estofos)
- 23d. Pano a vapor para vestuário (para uso em vestuário/estofos)
24. Pano a vapor para tecidos e vestuário (para uso em vestuário/estofos)
25. SteaMitt™
26. Mangueira da SteaMitt™
27. Pano de limpeza da SteaMitt™
28. Bocal ajustável

**Configuração**

	F S M H 1 3 3 2 1	F S M H 1 3 3 1 S M	F S H 1 3 0 1 S M	F S M H 1 3 1 5 1 S M	F S M H 1 3 1 5 1 S M	F S M H 1 3 2 1 J	F S M H 1 3 2 1 J S M	F S M H 1 3 2 1 J M D	S E T I N G S
12	✓	✓	✓	✓	✓	✓	✓	✓	Tudo
12a			✓	✓	✓	✓	✓	✓	Tudo
12b				✓	✓	✓	✓	✓	Tudo
13	✓	✓	✓	✓	✓	✓	✓	✓	Tudo
16	✓	✓	✓	✓	✓	✓	✓	✓	Tudo
18	✓	✓		✓	✓	✓	✓	✓	*
19	✓	✓	✓			✓	✓	✓	***
20	✓	✓	✓	✓	✓	✓	✓	✓	*
20a	✓	✓	✓	✓	✓	✓	✓	✓	*
21									*
21a									*
22				✓	✓				Tudo
22a				✓	✓				Tudo

22b				✓	✓					Tudo
22c				✓	✓					Tudo
23										Tudo
23a										Tudo
23b										*
23c										*
23d										*
24										*
25				✓	✓					N/A
26					✓					TUDO

**Cuidado!** Nunca deixe a mopa a vapor no mesmo ponto de uma superfície durante muito tempo. Quando não a estiver a utilizar, coloque sempre a mopa a vapor com a pega (8) na posição vertical, certificando-se de que se encontra desligada.

### Remover um pano de limpeza

**Cuidado!** Calce sempre sapatos adequados ao mudar o pano de limpeza da mopa a vapor.

Não calce chinelos nem sandálias.

- ◆ Volte a colocar a pega (8) na posição vertical e desligue a mopa a vapor.
- ◆ Deixe a mopa a vapor arrefecer antes de a guardar (cerca de 5 minutos).
- ◆ Afaste a mopa a vapor do pano de limpeza para libertá-la do fecho de velcro.

**Cuidado!** Nunca deixe a mopa a vapor no mesmo ponto de uma superfície durante muito tempo.

Quando não a estiver a utilizar, coloque sempre a mopa a vapor com a pega (8) na posição vertical, certificando-se de que se encontra desligada.

### Encher o reservatório de água (Fig. Q)

**Nota!** Encha o reservatório de água com água limpa da torneira (não utilize produtos químicos ou aditivos).

**Nota!** Em zonas de água dura, recomendamos a utilização de água desionizada.

- ◆ Abra o tampão de enchimento (4), pressionando-o.
- ◆ Encha o reservatório de água com água (não utilize aditivos ou produtos químicos).

**Atenção!** Quando encher, separe a unidade principal e mantenha-a na horizontal.

**Atenção!** O reservatório de água tem uma capacidade de meio litro. Não encha demasiado o reservatório.

- ◆ Feche o tampão de enchimento (4).

**Nota!** Certifique-se de que o tampão de enchimento está bem fixado.

### Montagem do acessório para alcatifas (12b) (apenas para alcatifas)

- ◆ Coloque o acessório para alcatifas (9) no chão.
- ◆ Coloque um pano de limpeza na cabeça de limpeza para chão (12)
- ◆ Prima ligeiramente a mopa a vapor para baixo sobre o acessório para alcatifas (12b) até ouvir um clique de encaixe.

**Cuidado!** Nunca deixe a mopa a vapor no mesmo ponto de uma superfície durante muito tempo. Quando não a estiver a utilizar, coloque sempre a mopa a vapor com a pega (8) na posição vertical, certificando-se de que se encontra desligada.

### Remoção do acessório para alcatifas

**Cuidado!** Calce sempre sapatos adequados ao mudar o acessório para alcatifas da mopa a vapor.

## Montagem



Atenção! Antes de tentar seguir qualquer das seguintes instruções, certifique-se de que o aparelho está desligado e que a respectiva ficha não está ligada à corrente eléctrica, se encontra à temperatura ambiente e não contém água.

### Fixar a pega (Fig. A)

- ◆ Faça deslizar a extremidade inferior da pega (8) para dentro da extremidade superior do corpo da mopa a vapor (11) até ouvir um clique de encaixe.

### Montagem da máquina de limpeza a vapor manual (Fig. B)

- ◆ Segurando na parte posterior do corpo da mopa a vapor (11) Pressione a máquina de limpeza a vapor manual (5) com firmeza no corpo da mopa a vapor (11), certificando-se de que assenta correctamente sobre a interface (11a) e encaixa bem no respectivo local.

### Remover a máquina de limpeza a vapor manual (Fig. B)

- ◆ Empurre o botão de libertação (10) no corpo principal (11) e levante a máquina de limpeza a vapor manual (5) da interface (11a) e afastada do corpo principal (11).

### Fixar um pano de limpeza (Fig. C)

Encontram-se disponíveis panos de limpeza sobresselentes no seu agente BLACK+DECKER (cat. n.º. FSMP20-XJ).

- ◆ Coloque um pano de limpeza (13) no chão com o lado de “gancho” com velcro para cima.
- ◆ Prima ligeiramente a mopa a vapor para baixo sobre o pano de limpeza (13).

**Nota:** Esta unidade pode ser fornecida com uma cabeça de limpeza padrão para chão (12) ou uma cabeça de limpeza com jacto de vapor (12a). Seja qual for a situação, siga estas instruções para colocar um pano de limpeza.

Não calce chinelos nem sandálias.

- ◆ Volte a colocar a pega (8) na posição vertical e desligue a mopa a vapor.
- ◆ Deixe a mopa a vapor arrefecer antes de a guardar (cerca de 5 minutos).
- ◆ Coloque a parte da frente do seu sapato na patilha de remoção do acessório para alcatifas e prima para baixo com firmeza.
- ◆ Levante a mopa a vapor do acessório para alcatifas.

**Cuidado!** Nunca deixe a mopa a vapor no mesmo ponto de uma superfície durante muito tempo. Quando não a estiver a utilizar, coloque sempre a mopa a vapor com a pega (8) na posição vertical, certificando-se de que se encontra desligada.

## Montagem da mangueira e dos acessórios à máquina de limpeza a vapor manual (Fig. G - O)

**Atenção!** Verifique o selo entre o ponto de ligação na máquina de limpeza a vapor manual (5) e a mangueira de vapor (16) antes de cada utilização. Se o selo avariar ou estiver danificado, contacte o seu agente de reparação autorizado mais próximo. Não utilize o aparelho.

### Montar a mangueira

- ◆ Pressione o botão de libertação da mangueira de vapor (16a) na mangueira de vapor (16).
- ◆ Ligue a mangueira de vapor (16) à máquina de limpeza a vapor manual (5) e liberte o botão de libertação da mangueira de vapor (16a), certificando-se de que encaixa no respetivo local.

**Importante!** Certifique-se de que a mangueira de vapor (16) está fixada correctamente na máquina de limpeza a vapor manual (5). Se houver fuga de vapor pela junta, isso significa que a mangueira foi montada incorrectamente. Desligue, deixe a unidade arrefecer, retire e volte a montar a mangueira.

### Fixar acessórios (Fig. H)

- ◆ Alinhe o bocal de vapor (17) com os encaixes do acessório.
- ◆ Prima o acessório no bocal de vapor (17) e rode-o no sentido contrário ao dos ponteiros do relógio até ouvir um som de encaixe.

**Importante!** Todos os acessórios, excepto a SteaMitt™ (25), que tem uma mangueira e um conector próprios (26), devem ser montados com a mangueira de vapor (16) para utilização.

### Remover a mangueira e os acessórios

**Atenção!** A mangueira de vapor (16), o bocal de vapor (17) e os acessórios ficam quentes durante a utilização. Deixe a unidade e todos os acessórios arrefecerem antes de removê-los.

### Remover acessórios

- ◆ Rode o acessório (25) no sentido dos ponteiros do relógio e, em seguida, retire da mangueira (16).

### Remover a mangueira

- ◆ Prima o botão de libertação da mangueira de vapor (16) e afaste-o da unidade de vapor manual.

### SteaMitt™

A sua máquina a vapor BLACK+DECKER™ SteaMitt™ foi concebida para desinfetar e limpar azulejos, superfícies de trabalho, superfícies de cozinha e superfícies de casas de banho. Este aparelho destina-se apenas a utilização doméstica em interiores.

### Montar a mangueira SteaMitt™ na unidade de vapor manual

**Atenção!** Verifique o selo entre o ponto de ligação na máquina de limpeza a vapor manual (5) e a mangueira da SteaMitt™ (26) antes de cada utilização. Se o selo avariar ou estiver danificado, contacte o seu agente de reparação autorizado mais próximo. Não utilize o aparelho.

- ◆ Prima o botão de libertação da mangueira da SteaMitt™ na mangueira da SteaMitt™ (26).
- ◆ Ligue a mangueira da SteaMitt™ (26) à máquina de limpeza a vapor manual (5) e solte o botão de libertação da SteaMitt™ certificando-se de que encaixa no respetivo local.

**Importante!** Certifique-se de que a mangueira da SteaMitt™ (26) está fixada correctamente na máquina de limpeza a vapor manual (5).

Se houver fuga de vapor pela junta, isso significa que a mangueira foi montada incorrectamente. Desligue, deixe a unidade arrefecer, retire e volte a montar a mangueira.

### Montar um pano de limpeza na SteaMitt™ (Fig. L)

- ◆ Instale o pano de limpeza (27) na SteaMitt™ (25) fixando as fitas de velcro de "gancho" (27a) no lado de cima do pano de limpeza nas fitas de velcro do "gancho" (25a) na parte de baixo da SteaMitt™ (4). Pressione para baixo com firmeza.

**Atenção!** Só deve utilizar a SteaMitt™ depois de instalar um pano de limpeza.

**Nota:** A SteaMitt™ inclui 3 tipos de panos de limpeza com vários tipos de espessura. Os panos mais finos podem ser utilizados para limpar formas em 3D, como torneiras, etc. Os panos mais grossos podem ser utilizados em áreas planas maiores.

**Atenção!** Utilize sempre a SteaMitt™ como indicado na Figura M, com a mão dentro da luva de protecção.



- Atenção!** Nunca utilize a SteaMitt™ agarrando-a por fora, como indicado na Figura N. Pode sofrer queimaduras.
- Atenção!** Evite utilizar a SteaMitt™ em canto apertados como indicado na Figura H.
- Atenção!** Se ocorrer um problema durante a utilização, utilize a patilha de libertação rápida para remover rapidamente a SteaMitt™ da sua mão, como indicado na Figura P.
- Atenção!** Não utilize a SteaMitt™ em vidros frios, por exemplo, em janelas, porque podem ocorrer danos devido à variação súbita de temperatura.
- Atenção!** Nunca aponte ou direcione a mopa a vapor na sua direcção ou de outra pessoa.

**Nota:** O mostrador de vapor variável desliga-se quando a SteaMitt™ é montada e, por conseguinte, o fluxo de vapor é limitado.

### Utilização

**Importante!** Esta unidade mata 99,9% das bactérias e dos germes, se for utilizada de acordo com as instruções indicadas neste manual e com os panos de micro fibras colocado e durante 90 segundos sem parar.

### Ligar e desligar

- ◆ Para ligar o aparelho, prima o interruptor LIGAR/DESLIGAR (1). A mopa a vapor demora aproximadamente 15 segundos a aquecer.
- ◆ Para desligar o aparelho, prima o interruptor LIGAR/DESLIGAR (1).

**Nota:** coloque sempre a mão dentro da SteaMitt™ antes de premir o botão de vapor.

**Cuidado!** Nunca deixe a mopa a vapor no mesmo ponto de uma superfície durante muito tempo.

Quando não a estiver a utilizar, coloque sempre a mopa a vapor com a pega (8) na posição vertical, certificando-se de que se encontra desligada.

**Cuidado!** Esvazie sempre a mopa a vapor após a utilização.

**Nota!** Quando ficar cheia pela primeira vez ou depois de ficar seca, o vapor pode demorar até 45 segundos.

### Tecnologia Autoselect™ (Fig. R)

Esta mopa a vapor inclui um mostrador (2) Autoselect™ que mostra várias aplicações de limpeza. São utilizadas para seleccionar o modo de funcionamento correcto para uma operação de limpeza específica.

Utilizando o Autoselect™, escolha uma das seguintes aplicações, rodando o mostrador Autoselect™ (2) até que seja seleccionada a definição pretendida.

Regulação	Mopa	Manual
	Madeira/ Laminado	Vapor de alta temperatura para janelas ●
	Pedra/Mármore	● ●
	Mosaicos/Vinil	Vapor de baixa temperatura para sujidade abundante ● ● ●

A mopa a vapor seleccionará o volume de vapor correcto necessário para a operação de limpeza específica.

**Nota:** Verifique sempre se está a utilizar a definição correcta antes de utilizar a mopa a vapor.

### Jacto de vapor (Fig. C1) (apenas disponível nas unidades FSMH1310SM, FSMH13151SM)

A cabeça para chão (12a) está equipada com um pedal de jacto de vapor para ajudar a remover marcas a manchas persistentes.

- ◆ Durante a utilização, pressione o pedal de jacto de vapor para aplicar um poder de limpeza adicional.
- ◆ Para reverter para a definição normal, prima o pedal novamente.

### Sugestões para uma utilização óptima

#### Geral

**Atenção:** Nunca utilize a mopa a vapor sem fixar primeiro um pano de limpeza.

- ◆ aspire ou limpe sempre o chão antes de utilizar a mopa a vapor.
- ◆ A forma mais fácil de utilizar o aparelho é inclinando a pega com um ângulo de 45° e limpando lentamente, cobrindo uma área pequena de cada vez.
- ◆ Utilize apenas água sem aditivos ou produtos químicos na mopa a vapor. Para remover manchas persistentes de chão de vinil ou linóleo, poderá efectuar um tratamento prévio com um detergente suave e um pouco de água antes de utilizar a mopa a vapor.

### Limpeza a vapor com a mopa

- ◆ Encaixe a máquina de limpeza a vapor manual (5) no corpo da mopa a vapor (11)
- ◆ Coloque um pano de limpeza (13) no chão com o lado de "gancho" com velcro para cima.
- ◆ Prima ligeiramente a mopa a vapor para baixo sobre o pano de limpeza (13).
- ◆ Ligue a mopa a vapor à corrente eléctrica.
- ◆ Prima o botão LIGADO/DESLIGADO (1). A mopa a vapor demora aproximadamente 15 segundos a aquecer.

- ◆ Rode o mostrador (2) Autoselect™ até ser atingida a definição necessária. Após alguns segundos, começará a sair vapor da cabeça de vapor.

**Nota!** Quando ficar cheia pela primeira vez ou depois de ficar seca, o vapor pode demorar até 45 segundos.

- ◆ O vapor demora alguns segundos a entrar no pano de limpeza. A mopa a vapor deslizará agora facilmente sobre a superfície a desinfetar/limpar.
- ◆ Empurre e puxe lentamente a mopa a vapor ao longo da superfície para limpar profundamente a vapor todas as secções do chão.
- ◆ Quando terminar a limpeza com a mopa a vapor, volte a colocar a pega (8) na posição vertical, certificando-se de que fica apoiada e coloque-a na posição Desligado. Deixe a mopa a vapor arrefecer antes de a guardar (cerca de cinco minutos).

**Cuidado!** É importante monitorizar o nível de água no reservatório. Para atestar o reservatório de água e continuar a desinfecção/limpeza, volte a colocar a pega na posição vertical, certificando-se de que a pega fica apoiada e DESLIGUE a mopa a vapor. Desligue a unidade da tomada eléctrica e ateste o reservatório de água.

**Cuidado!** Nunca deixe a mopa a vapor no mesmo ponto de uma superfície durante muito tempo. Quando não a estiver a utilizar, coloque sempre a mopa a vapor com a pega (8) na posição vertical, certificando-se de que se encontra desligada.

### Limpeza de alcatifas

- ◆ Coloque um pano de limpeza (13) no chão com o lado de “gancho” para cima.
- ◆ Prima ligeiramente a mopa a vapor para baixo sobre o pano de limpeza.
- ◆ Coloque o acessório para alcatifas (9) no chão.
- ◆ Prima ligeiramente a mopa a vapor para baixo sobre o acessório para alcatifas até ouvir um clique de encaixe.
- ◆ Ligue a mopa a vapor à corrente eléctrica.
- ◆ Prima o botão LIGADO/DESLIGADO (1). A mopa a vapor demora aproximadamente 15 segundos a aquecer.
- ◆ Rode o mostrador Autoselect™ (2) para a posição Madeira/Laminado.
- ◆ Empurre e puxe lentamente a mopa a vapor ao longo da alcatifa para limpar todas as secções em profundidade.
- ◆ Quando terminar a limpeza com a mopa a vapor, volte a colocar a pega (8) na posição vertical e desligue a unidade. Deixe a mopa a vapor arrefecer antes de a guardar (cerca de cinco minutos).

### Após a utilização

- ◆ Rode o mostrador (2) Autoselect™ para a posição DESLIGADO.
- ◆ Deixe a mopa a vapor arrefecer.
- ◆ Desligue a mopa a vapor da tomada eléctrica.
- ◆ Esvazie o reservatório de água.

- ◆ retire o pano de limpeza (13) e lave-o para a próxima utilização (deve ler as instruções de cuidados de lavagem impressas no pano de limpeza).
- ◆ Enrole o cabo de alimentação à volta dos ganchos de organização (7 e 9).
- ◆ Em alternativa, é disponibilizado um suporte para pendurar (15) incorporado no punho (6) que permite pendurar a mopa a vapor num gancho adequado na parede. Certifique-se sempre de que o gancho na parede suporta com segurança o peso da mopa a vapor.

### Limpeza a vapor manual

**Atenção!** A unidade só produz vapor se estiver ligada ao corpo principal (11) ou se a mangueira de vapor (16) estiver montada.

**Atenção!** Utilize apenas na horizontal.

- ◆ Fixe o acessório necessário.
- ◆ Ligue a máquina de limpeza a vapor manual à corrente eléctrica.
- ◆ Prima o botão LIGADO/DESLIGADO (1). A mopa a vapor demora aproximadamente 15 segundos a aquecer.
- ◆ Rode o mostrador (2) Autoselect™ até ser atingida a definição necessária. Após alguns segundos, começará a sair vapor da cabeça de vapor.

**Nota!** Quando ficar cheia pela primeira vez ou depois de ficar seca, o vapor pode demorar até 45 segundos.

- ◆ Quando terminar a limpeza com a máquina de limpeza a vapor, coloque o mostrador Autoselect™ (2) na posição DESLIGADO. Prima o botão LIGAR/DESLIGAR (1) para desligar a unidade e depois retire a ficha da fonte de alimentação. Aguarde até a unidade arrefecer antes de armazená-la (cerca de cinco minutos).

### Acessórios

O desempenho do aparelho depende dos acessórios utilizados. Os acessórios BLACK+DECKER são concebidos segundo normas de elevada qualidade e desenvolvidos de modo a melhorar o desempenho do seu aparelho. Utilizando estes acessórios, tirará o melhor partido do seu equipamento.



## Dados técnicos

FSMH1321		
Tensão	V <sub>ac</sub>	230
Potência	W	1300
Capacidade do reservatório	ml	500
Peso	kg	2,7
FSMH1351SM		
Tensão	V <sub>ac</sub>	230
Potência	W	1300
Capacidade do reservatório	ml	500
Peso	kg	2,7
FSMH13101SM		
Tensão	V <sub>ac</sub>	230
Potência	W	1300
Capacidade do reservatório	ml	500
Peso	kg	2,8
FSMH13151SM		
Tensão	V <sub>ac</sub>	230
Potência	W	1300
Capacidade do reservatório	ml	500
Peso	kg	2,8
FSMH1321J		
Tensão	V <sub>ac</sub>	230
Potência	W	1300
Capacidade do reservatório	ml	500
Peso	kg	2,7
FSMH1321JSM		
Tensão	V <sub>ac</sub>	230
Potência	W	1300
Capacidade do reservatório	ml	500
Peso	kg	2,8
FSMH1321JMD		
Tensão	V <sub>ac</sub>	230
Potência	W	1300
Capacidade do reservatório	ml	500
Peso	kg	2,8

## Resolução de problemas

Se achar que o aparelho não está a funcionar correctamente, respeite as instruções apresentadas em seguida. Se não conseguir resolver o problema, contacte o agente local de reparação BLACK+DECKER.

Problema	Passo	Solução possível
A mopa a vapor não liga	1.	Verifique se a unidade está ligada à tomada de parede.
	2.	Verifique se a unidade está ligada, utilizando o interruptor LIGAR/DESLIGAR (1)
	3.	Verifique o fusível na ficha.
A mopa a vapor não produz vapor	4.	A mopa a vapor só irá produzir vapor se a máquina de limpeza a vapor manual (5) estiver inserida correctamente no corpo principal (11) ou a mangueira de vapor estiver instalada ou se o mostrador Autoselect™ estiver na posição LIGADO
	5.	Verifique se o reservatório de água está cheio. <b>Nota:</b> Quando ficar cheio pela primeira vez ou depois de ficar seco, o vapor pode demorar até 45 segundos a ser produzido.
A mopa a vapor pára de produzir vapor durante a utilização	6.	Verifique o passo 1 e depois o 2 e o 3.
	7.	Verifique o passo 4 e depois o 5 e o 3.
A mopa a vapor produz demasiado vapor durante a utilização	8.	Rode o mostrador Autoselect™ (2) no sentido contrário ao dos ponteiros do relógio para reduzir a quantidade de vapor produzida
A mopa a vapor produz pouco vapor durante a utilização	9.	Rode o mostrador Autoselect™ (2) no sentido dos ponteiros do relógio para aumentar a quantidade de vapor produzida
A máquina de limpeza a vapor manual não produz vapor	10.	Verifique se o mostrador Autoselect™ (2) está na posição LIGADO
	11.	Verifique o passo 5 e depois o 2 e o 3.
A máquina de limpeza a vapor manual produz muito pouco vapor durante a utilização	12.	Rode o mostrador Autoselect™ (2) no sentido dos ponteiros do relógio para aumentar a quantidade de vapor produzida
	13.	Verifique o passo 5
A máquina de limpeza a vapor manual produz pouco vapor durante a utilização	14.	Rode o mostrador Autoselect™ (2) no sentido contrário ao dos ponteiros do relógio para reduzir a quantidade de vapor produzida
Os acessórios impedem a queda da unidade	15.	Consulte o capítulo sobre montagem para saber quais são as instruções de instalação correcta de todas as peças e acessórios.
Há saída de vapor de pontos inesperados da unidade	16.	Consulte o capítulo sobre montagem para saber quais são as instruções de instalação correcta de todas as peças e acessórios.
Onde posso obter mais informações/acessórios	17.	<a href="http://www.blackanddecker.co.uk/steam mop">www.blackanddecker.co.uk/steam mop</a> <a href="http://www.blackanddecker.ie/steam mop">www.blackanddecker.ie/steam mop</a>

## Avsedd användning

Din BLACK+DECKERTM FSMH1321, FSMH13515M, FSMH13101SM, FSMH13151SM, FSMH1321J, FSMH1321JSM, FSMH1321JMD ångmopp är konstruerad för sanering och rengöring av golv av förseglat hårdträ, förseglat laminat, linoleum, vinyl, kakel, sten och marmor. Redskapet är endast avsett för inomhusbruk i hemmet.

## Säkerhetsinstruktioner

**Varning! Läs hela "Säkerhet, underhåll och service" handboken noggrant innan du börjar använda den här apparaten. Läs hela den här bruksanvisningen noggrant innan du börjar använda denna apparat.**



## Etiketter på apparaten

Följande symboler tillsammans med datumkoden är synliga på apparaten.



SE UPP Het Ånga



Vatten droppar vid användning uppochner



Ånga tränger ut på alla sidor



Lämna inte apparaten utan tillsyn tillsammans med unga barn



Endast handdisk

## Funktioner

Denna apparat har några eller samtliga av följande funktioner:

1. Strömbrytare
2. Autoselect™-ratt
3. Handhållet ångenhetshandtag
4. Påfyllningslock
5. Handhållen ångenhets
6. Handtag
7. Övre kabelhållarkrok

8. Huvudhandtag
9. Kabelhållarens nedre krok
10. Frikopplingsknapp för handhållen ångenhets
11. Huvudstomme
12. Golvrengöringsmunstycke
- 12a. Ångdusch för golvrengöringsmunstycke
- 12b. Mattglidskena (för användning på mattor)
13. Golvrengöringsdyna
14. Frikopplingsflik för golvrengöringsdyna
15. Upphängningskrok
16. Ångslang
17. Ångmunstycke
18. Vinkelborsttillbehör (för användning på svårborttagna fläckar)
19. Borsttillbehör (för användning på kakel/betong)
20. Rakeltillbehör (för användning på duschkärlmar/glas/speglar/kläder/möbelyg)
- 20a. Rakelstrumpa
21. Stort rakeltillbehör (för användning på duschkärlmar/glas/speglar/kläder/möbelyg)
- 21a. Stor rakelstrumpa
22. Ångduschborstenhet
- 22a. Ångduschtrådborste (för användning på grillar/ugnar)
- 22b. Ångduschborste (för användning på grillar/ugnar/ugnskåpor/kranar/betong)
- 22c. Bred ångduschborste (för användning på större arbetsytor)
23. Delta-munstycke (för användning på kläder/möbelyg/större arbetsytor)
- 23a. Rengöringsdyna för plana ytor
- 23b. Munstycke för ångbehandling av kläder (för användning på kläder/möbelyg)
- 23c. Borste för ångbehandling av kläder (för användning på kläder/möbelyg)
- 23d. Ångbehandlingsdyna för kläder (för användning på kläder/möbelyg)
24. Ångbehandlingsdyna för textil och kläder (för användning på kläder/möbelyg)
25. SteaMitt™
26. SteaMitt™-slang
27. SteaMitt™-rengöringsdyna
28. Justerbart munstycke

## Konfiguration

	F s m H 1 3 2 1	F s m H 1 3 5 1 s m	F s H 1 3 1 0 1 s m	F s m H 1 3 1 5 1 s m	F s m H 1 3 1 5 1 s m	F s m H 1 3 2 1 J	F s m H 1 3 2 1 J s m	F s m H 1 3 2 1 J m D	S E T T I N G S
12	✓	✓	✓	✓	✓	✓	✓	✓	All
12a			✓	✓	✓	✓	✓	✓	All
12b				✓	✓	✓	✓	✓	All
13	✓	✓	✓	✓	✓	✓	✓	✓	All
16	✓	✓	✓	✓	✓	✓	✓	✓	All
18	✓	✓		✓	✓	✓	✓	✓	*
19	✓	✓	✓			✓	✓	✓	...
20	✓	✓	✓	✓	✓	✓	✓	✓	*
20a	✓	✓	✓	✓	✓	✓	✓	✓	*
21									*
21a									*
22				✓	✓				All
22a				✓	✓				All
22b				✓	✓				All
22c				✓	✓				All
23									All
23a									All
23b									*
23c									*
23d									*
24									*
25				✓	✓				ej till.
28					✓				All

## Montera den handhållna ångregöraren (fig. B)

- Medan du håller i bakre delen av ångmoppen (11), tryck in den handhållna ångregöraren (5) ordentligt i ångmoppen (11) och se till att den sitter korrekt över mellanstycket (11a) och klickar in säkert på plats.

## Ta bort den handhållna ångregöraren (fig. B)

- Tryck på frikopplingsknappen (10) på huvudstommen (11) och lyft av den handhållna ångregöraren (5) från mellanstycket (11a) och bort från huvudstommen (11).

## Montera en rengöringsdyna (fig. C)

Rengöringsdynor finns att köpa hos din BLACK+DECKER-återförsäljare (kataloger. FSMP20-XJ).

- Placera en rengöringsdyna (13) på golvet med kardborresidan uppåt.
- Tryck försiktigt ned ångmoppen på rengöringsdynan (13).

**OBS:** Denna enhet kan levereras med standardmunstycke för golvrengöring (12) eller ett munstycke med ångdusch (12a). Oavsett vilket ska du följa dessa anvisningar för att montera en rengöringsdyna.

**Varning!** Lämna aldrig ångmoppen på samma plats på ytan under längre tid. Förvara alltid ångmoppen så att handtaget (8) får stöd och befinner sig i upprätt läge och se till att ångmoppen är avstängd när den inte används.

## Ta bort en rengöringsdyna

**Varning!** Använd alltid lämpliga skor när du byter rengöringsdyna på ångmoppen.

Använd inte tofflor eller öppna skor.

- Återställ handtaget (8) i upprättstående läge och stäng AV ångmoppen.
- Vänta tills ångmoppen svalnat (ungefär 5 minuter).
- Lyft bort ångmoppen från rengöringsdynan genom att frigöra den från kardborrefästet.

**Varning!** Lämna aldrig ångmoppen på samma plats på ytan under längre tid.

Förvara alltid ångmoppen så att handtaget (8) får stöd och befinner sig i upprätt läge och se till att ångmoppen är avstängd när den inte används.

## Fylla vattentanken (fig. Q)

**OBS!** Fyll vattentanken med rent kranvatten (använd inga tillsatser eller kemikalier).

**OBS!** I områden med hårt vatten rekommenderas det att du använder avjoniserat vatten.

- Öppna påfyllningslocket (4) genom att fälla upp det.
- Fyll vattentanken med vatten (använd inga tillsatser eller kemikalier).

**Varning!** Koppla bort enheten från elnätet och ha den i vågrätt läge vid påfyllningen.

**Varning!** Vattenbehållaren rymmer 0.5 liter. Fyll inte på för mycket vatten i vattenbehållaren.

## Montering



**Varning!** Innan du verkställer någon av nedanstående instruktioner ska du kontrollera att apparaten är avstängd, att sladden inte sitter i och att den har svalnat och inte innehåller vatten.

## Montera handtaget (fig. A)

- Skjut in den nedre delen av handtaget (8) i den övre delen av ångmoppen (11) tills den klickar på plats.

- ◆ Stäng påfyllningslocket (4).

**OBS!** Kontrollera att påfyllningslocket sitter fast ordentligt.

### Montera mattglidskenan (12b) (enbart för användning på mattor)

- ◆ Placera mattglidskenan (12b) på golvet.
- ◆ Montera en rengöringsdyna på golvrengöringsmunstycket (12)
- ◆ Tryck ned ångmoppen ätt på mattglidskenan (12b) tills den klickar in på plats.

**Varning!** Lämna aldrig ångmoppen på samma plats på ytan under längre tid. Förvara alltid ångmoppen så att handtaget (8) får stöd och befinner sig i upprätt läge och se till att ångmoppen är avstängd när den inte används.

### Ta bort mattglidskenan

**Varning!** Använd alltid lämpliga skor när du byter mattglidskena på ångmoppen. Använd inte tofflor eller öppna skor.

- ◆ Återställ handtaget (8) i upprättstående läge och stäng AV ångmoppen.
- ◆ Vänta tills ångmoppen svalnat (ungefär 5 minuter).
- ◆ Placera framdelen på din sko på mattglidskenans borttagningsflik och trampa ned ordentligt.
- ◆ Lyft ångmoppen uppåt och bort från mattglidskenan.

**Varning!** Lämna aldrig ångmoppen på samma plats på ytan under längre tid. Förvara alltid ångmoppen så att handtaget (8) får stöd och befinner sig i upprätt läge och se till att ångmoppen är avstängd när den inte används.

### Montera slang och tillbehör på den handhållna ångregöraren (fig. G - O)

**Varning!** Kontrollera packningen mellan anslutningsstället på den handhållna ångregöraren (5) och ångslangen (16) före varje användning. Om packningen inte fungerar som den ska eller är skadad, ska du kontakta närmaste auktoriserade verkstad. Använd inte apparaten.

### Montering av slangen

- ◆ Tryck på ångslangens frikopplingsknapp (16a) på ångslangen (16).
- ◆ Anslut ångslangen (16) till den handhållna ångregöraren (5) och släpp upp ångslangens frikopplingsknapp (16a) samt se till att den klickar in på plats.

**Viktigt!** Kontrollera att slangen (16) är korrekt ansluten till den handhållna ångregöraren (5). Om ånga tränger ut ur fogen, är slangen inte korrekt monterad. Stäng av, låt enheten svalna och ta sedan bort och montera tillbaka slangen.

### Montera tillbehör (fig. H)

- ◆ Passa in klackarna på ångmunstycket (17) mot ursparingarna på tillbehöret.

- ◆ Tryck tillbehöret mot ångmunstycket (17) och vrid moturs tills tillbehöret klickar in på plats.

**Viktigt!** Alla tillbehör förutom SteaMitt™ (25), som har egen slang och kontaktdon (26), måste monteras på ångslangen (16) för användning.

### Ta bort slang och tillbehör

**Varning!** Ångslangen (16), ångmunstycket (17) och tillbehören blir heta under användning. Låt enheten och samtliga tillbehör svalna innan du försöker ta bort någonting.

### Ta bort ett tillbehör

- ◆ Vrid tillbehöret medurs och dra sedan bort det från slangen (16).

### Ta bort slangen

- ◆ Tryck på ångslangens frikopplingsknapp (16a) på ångslangen (16) och dra bort den från den handhållna ångenheten.

### SteaMitt™

Din BLACK+DECKER™ FSH10SM SteaMitt™ har konstruerats för sanering och rengöring av kakelplattor, arbetsbänkar, köksytor och badrumsytor. Redskapet är endast avsett för inomhusbruk i hemmet.

### Montera SteaMitt™-slangen på den handhållna ångenheten

**Varning!** Kontrollera packningen mellan anslutningsstället på den handhållna ångregöraren (5) och SteaMitt™-slangen (26) före varje användning. Om packningen inte fungerar som den ska eller är skadad, ska du kontakta närmaste auktoriserade verkstad. Använd inte apparaten.

- ◆ Tryck på SteaMitt™-slangens frikopplingsknapp på SteaMitt™-slangen (26).
- ◆ Anslut SteaMitt™-slangen (26) till den handhållna ångregöraren (5) och släpp upp SteaMitt™-slangens frikopplingsknapp samt se till att den klickar in på plats.

**Viktigt!** Se till att SteaMitt™-slangen (26) är säkert ansluten till den handhållna ångregöraren (5).

Om ånga tränger ut ur fogen, är slangen inte korrekt monterad. Stäng av, låt enheten svalna och ta sedan bort och montera tillbaka slangen.

### Montera en rengöringsdyna på SteaMitt™ (fig. L)

- ◆ Montera rengöringsdynan (27) på SteaMitt™ (25) genom att fästa 'öglan' av kardborreband (27a) på ovansidan av rengöringsdynan på 'kroken' av kardborredynor (25a) på undersidan av SteaMitt™ (4). Tryck ned hårt.

**Varning!** SteaMitt™ ska inte användas utan monterad rengöringsdyna.

**Notera:** SteaMitt™ har plats för 3 typer av rengöringsdynamoer av olika tjocklekar. Den tunnaste kan användas för rengöring av 3D-former typ kranar etc. De tjockare varianterna kan användas för större plana ytor.

⚠ **Varning!** Använd alltid SteaMitt™ såsom visas i figur M med din hand inuti skyddshandsken.

⚠ **Varning!** Försök aldrig använda SteaMitt™ genom att fatta tag i den utvägigt såsom visas i figur N. Detta leder till skällning.

⚠ **Varning!** Undvik att använda SteaMitt™ i tränga hörn såsom visas i figur O.

⚠ **Varning!** Skulle du stöta på problem under användningen, använd då snabblossningsfliken (8) för att snabbt avlägsna SteaMitt™ från din hand såsom visas i figur P.

⚠ **Varning!** Använd inte SteaMitt™ på kallt glas typ fönster, eftersom skador kan uppstå genom den plötsliga temperaturförändringen.

⚠ **Varning!** Vänd eller rikta aldrig moppen mot dig själv eller någon annan person.

**OBS:** Skalan för variabel ånga kopplas bort när SteaMitt™ monterats och därefter är ångflödet begränsat.

## Användning

**Viktigt!** Den här apparaten dödar 99.9% av alla bakterier och baciller om den används enligt anvisningarna i den här manualen, har mikrofiberdynorna monterade och körs kontinuerligt i 90 sekunder.

## Slå på och stänga av

- ◆ Starta apparaten genom att trycka in strömbrytaren TILL/FRÅN (1). Det tar cirka 15 sekunder för ångmoppen att värmas upp.
- ◆ Stäng av apparaten genom att trycka in strömbrytaren TILL/FRÅN (1).

**OBS:** ha alltid din hand inuti SteaMitt™ innan du trycker på ångknappen.

**Varning!** Lämna aldrig ångmoppen på samma plats på ytan under längre tid.

Förvara alltid ångmoppen så att handtaget (8) får stöd och befinner sig i upprätt läge och se till att ångmoppen är avstängd när den inte används.

**Varning!** Töm alltid ångmoppen efter användningen.

**OBS!** När du fyller på vatten för första gången eller efter det att vattnet har tagit slut kan det ta upp till 45 sekunder innan ånga bildas.

## Autoselect™-teknik (fig. R)

Den här ångmoppen har en Autoselect™-ratt (2) som visar olika rengöringstillämpningar.

De används för att välja rätt arbetssätt anpassat efter vad som ska rengöras.

Med Autoselect™ väljer du en av följande tillämpningar, genom att vrida på Autoselect™-ratten (2) tills önskad inställning har valts.

Inställning	Mopp	Handhållen
	Trä/laminat	Högtemperaturånga för fönster ●
	Sten/marmor	● ●
	Kakel/vinyl	Lågtemperaturånga för kraftig smuts ● ● ●

**Ångmoppen väljer rätt ångmängd anpassat efter vad som ska rengöras.**

**OBS:** Kontrollera alltid att du använder rätt inställning innan du använder ångmoppen.

## Ångdusch (fig. C1) (kan enbart erhållas med enheterna FSMH1310SM, FSMH13151SM)

Golvmunstycket (12a) har en ångduschpedal till hjälp vid borttagning av envisa märken och fläckar.

- ◆ Under användning trampar du på ångduschpedalen för extra rengöringskraft.
- ◆ Trampa på pedalen igen för att återgå till normalinställningen.

## Tips för optimal användning

### Allmänt

**Se upp:** Använd aldrig ångmoppen utan att först montera en rengöringsdyna.

- ◆ Dammsug eller sopa alltid golvet innan du använder ångmoppen.
- ◆ Det enklaste sättet att använda apparaten är att luta handtaget 45° och sedan långsamt rengöra en liten yta åt gången.
- ◆ Använd enbart vatten utan tillsatser eller kemikalier till din ångmopp. Om du ska ta bort besvärliga fläckar från vinyl- eller linoleumgolv kan du förbehandla med ett mildt rengöringsmedel innan du använder ångmoppen.

## Ångrengöring med moppen

- ◆ Fäst den handhållna ångrengöraren (5) på ångmoppen (11).
- ◆ Placera en rengöringsdyna (13) på golvet med kardborresidan uppåt.
- ◆ Tryck försiktigt ned ångmoppen på rengöringsdynan (13).
- ◆ Anslut ångmoppen till elnätet.

- ◆ Tryck på strömbrytaren TILL/FRÅN (1). Det tar cirka 15 sekunder för ångmoppen att värmas upp.
- ◆ Vrid på Autoselect™-ratten (2) tills önskad inställning har uppnåtts. Efter några sekunder börjar ånga strömma ut ur ånghuvudet.

**OBS!** När du fyller på vatten för första gången eller efter det att vattnet har tagit slut kan det ta upp till 45 sekunder innan ånga bildas.

- ◆ Det tar några sekunder för ångan att komma in i rengöringsdynan. Ångmoppen glider nu lätt över ytan som ska saneras/rengöras.
- ◆ Skjut och dra ångmoppen långsamt över golvet för en grundlig ångrengöring av varje sektion.
- ◆ När du har använt ångmoppen färdigt, ställ tillbaka handtaget (8) i upprätt läge, se till att det har stöd och stäng "Av" ångmoppen. Vänta tills ångmoppen har svalnat (ca. fem minuter).

**Varning!** Det är viktigt att kontrollera vattennivån i vattenbehållaren. För att fylla på vattenbehållaren och fortsätta saneringen/rengöringen ställer du moppen i upprätt läge, ser till att handtaget har stöd och stänger "Av" ångmoppen. Koppla bort enheten från eluttaget och fyll på vattenbehållaren.

**Varning!** Lämna aldrig ångmoppen på samma plats på ytan under längre tid. Förvara alltid ångmoppen så att handtaget (8) får stöd och befinner sig i upprätt läge och se till att ångmoppen är avstängd när den inte används.

## Uppfräschning av matta

- ◆ Placera en rengöringsdyna (13) på golvet med kardborresidan uppåt.
- ◆ Tryck försiktigt ned ångmoppen på rengöringsdynan.
- ◆ Placera mattglidskenan (12b) på golvet.
- ◆ Tryck försiktigt ned ångmoppen på mattglidskenan tills den klickar på plats.
- ◆ Anslut ångmoppen till elnätet.
- ◆ Tryck på strömbrytaren TILL/FRÅN (1). Det tar cirka 15 sekunder för ångmoppen att värmas upp.
- ◆ Vrid Autoselect™-ratten (2) till trä/laminat-läget.
- ◆ Skjut och dra ångmoppen långsamt över mattan för en grundlig uppförskning av varje sektion.
- ◆ När du har använt ångmoppen färdigt, ställ tillbaka handtaget (8) i upprätt läge och stäng "Av" ångmoppen. Vänta tills ångmoppen har svalnat (ca. fem minuter).

## Efter användning

- ◆ Vrid Autoselect™-ratten (2) till önskad inställning.
- ◆ Vänta tills ångmoppen har svalnat.
- ◆ Koppla bort ångmoppen från eluttaget.
- ◆ Töm vattentanken.
- ◆ Ta bort rengöringsdynan (13) och tvätta den så den är klar för nästa användning (var noga med att följa de på rengöringsdynan tryckta tvättråden).

- ◆ Vira upp nätkabeln runt krokarna på apparaten (7 och 9).
- ◆ Det finns en upphängningskrok (15) inbyggd i handtaget (6) som gör det möjligt att hänga upp ångmoppen på lämplig krok på väggen. Kontrollera alltid att kroken klarar ångmoppens tyngd.

## Handhållen ångrengöring

**Varning!** Enheten genererar ingen ånga, såvida den inte är ansluten till stommen (11) eller ångslangen (16) är monterad.

**Varning!** Får endast användas i vågrätt läge.

- ◆ Montera önskat tillbehör.
- ◆ Anslut den handhållna ångrengöraren till elnätet.
- ◆ Tryck på strömbrytaren TILL/FRÅN (1). Det tar cirka 15 sekunder för ångmoppen att värmas upp.
- ◆ Vrid på Autoselect™-ratten (2) tills önskad inställning har uppnåtts. Efter några sekunder börjar ånga strömma ut ur ånghuvudet.

**Notera!** När du fyller på vatten för första gången eller efter det att vattnet har tagit slut kan det ta upp till 45 sekunder innan ånga bildas.

- ◆ När du slutat använda den handhållna ångrengöraren ska du vrida Autoselect™-ratten (2) till FRÅN-läget. Stäng AV enheten genom att trycka på strömbrytaren TILL/FRÅN (1) och koppla bort den från elnätet. Vänta tills enheten svalnat innan du ställer undan den (ungefär fem minuter).

## Tillbehör

vilka resultat du får med redskapet beror på vilka tillbehör du använder. Tillbehör från BLACK & DECKER håller hög kvalitet och är konstruerade för att fungera optimalt med redskapet. Med dessa tillbehör får du ut mesta möjliga av din utrustning.

## Tekniska data

FSMH1321		
Spänning	V <sub>ac</sub>	230
Energi	W	1300
Behållarens kapacitet	ml	500
Vikt	kg	2.7
FSMH1351SM		
Spänning	V <sub>ac</sub>	230
Energi	W	1300
Behållarens kapacitet	ml	500
Vikt	kg	2.7
FSMH13101SM		
Spänning	V <sub>ac</sub>	230
Energi	W	1300
Behållarens kapacitet	ml	500
Vikt	kg	2.8
FSMH13151SM		
Spänning	V <sub>ac</sub>	230
Energi	W	1300
Behållarens kapacitet	ml	500
Vikt	kg	2.8
FSMH1321J		
Spänning	V <sub>ac</sub>	230
Energi	W	1300
Behållarens kapacitet	ml	500
Vikt	kg	2.7
FSMH1321JSM		
Spänning	V <sub>ac</sub>	230
Energi	W	1300
Behållarens kapacitet	ml	500
Vikt	kg	2.8
FSMH1321JMD		
Spänning	V <sub>ac</sub>	230
Energi	W	1300
Behållarens kapacitet	ml	500
Vikt	kg	2.8

Problem	Steg	Möjlig lösning
Ångmoppen startar inte	1.	Kontrollera att enheten är ansluten till vägguttaget.
	2.	Kontrollera att enheten är påstagen med strömbrytaren (1)
	3.	Kontrollera säkringen i kontakten.
Ångmoppen producerar ingen ånga	4.	Ångmoppen genererar enbart ånga om den handhållna ångregöraren (5) är korrekt ansluten till moppstommen (11) eller ångslangen har monterats eller Autoselect™ ställts i läge TILL
	5.	Kontrollera att vattentanken är full. Notera: När du fyller på vatten för första gången eller efter det att vattnet har tagit slut kan det ta upp till 45 sekunder innan ånga bildas.
	6.	Kontrollera steg 1, sedan 2, sedan 3.
Ångmoppen slutar producera ånga under användningen	7.	Kontrollera steg 4, sedan 5, sedan 3.
Ångmoppen producerar för mycket ånga under användningen	8.	Vrid Autoselect™-ratten (2) moturs för att reducera mängden ånga som genereras
Ångmoppen producerar för litet ånga under användningen	9.	Vrid Autoselect™-ratten (2) medurs för att öka mängden ånga som genereras
Ingen ånga genereras från den handhållna ångregöraren	10.	Kontrollera att Autoselect™-ratten (2) står i TILL-läget
	11.	Kontrollera steg 1, sedan 2, sedan 3.
Den handhållna ångregöraren producerar för litet ånga under användningen	12.	Vrid Autoselect™-ratten (2) medurs för att öka mängden ånga som genereras
	13.	Kontrollera steg 5
Den handhållna ångregöraren producerar för mycket ånga under användningen	14.	Vrid Autoselect™-ratten (2) moturs för att reducera mängden ånga som genereras
Tillbehören ramlar av enheten.	15.	Se monteringsavsnittet i handboken för korrekt montering av alla delar och tillbehör.
Ånga tränger ut från oväntade ytor på moppen.	16.	Se monteringsavsnittet i handboken för korrekt montering av alla delar och tillbehör.
Var kan jag få ytterligare information/tillbehör?	17.	<a href="http://www.blackanddecker.co.uk/steamopp">www.blackanddecker.co.uk/steamopp</a> <a href="http://www.blackanddecker.ie/steamopp">www.blackanddecker.ie/steamopp</a>

## Felsökning

Om apparaten inte fungerar som den ska följer du instruktionerna nedan. Om problemet kvarstår kontaktar du närmaste BLACK+DECKER-verkstad.

## Tiltenkt bruk

BLACK+DECKER™ FSMH1321, FSMH13515M, FSMH13101SM, FSMH13151SM, FSMH1321J, FSMH1321JSM, FSMH1321JMD dampmopper er utformet for å rense og rengjøre gulv med forseglet hardtre, forseglet laminat, linoleum, vinyl, keramiske fliser, stein og marmor og for å friske opp tepper. Produktet er bare beregnet for innendørs bruk i hjemmet.

## Sikkerhetsinstruksjoner



**Advarsel! Les sikkerhets-, vedlikeholds- og serviceanvisningene nøye før du bruker dette produktet. Les hele denne håndboken nøye før du bruker apparatet.**

## Produktmerking

De følgende symbolene sammen med datokode vises på apparatet.



**FORSIKTIG** Varm damp



Vann drypper om du snur den opp-ned



Det kommer damp ut på alle kanter



Ikke la den være uten tilsyn med små barn til stede



Håndvask bare

## Funksjoner

Dette apparatet har noen av eller alle funksjonene nedenfor.

1. På-/av-bryter
2. Autoselect™-skive
3. Håndtak, håndholdt dampvasker
4. Påfyllingslokk
5. Håndholdt dampvasker
6. Håndtak
7. Øvre kabelfestekrok
8. Hovedhåndtak
9. Nedre kabelfestekrok
10. Låseknapp, håndholdt dampvasker
11. Hoveddel
12. Gulvmunnstykke
- 12a. Dampstøt gulvmunnstykke
- 12b. Teppeglider  
(for bruk på tepper)
13. Gulvrengjøringspute
14. Låseknapp, gulvrengjøringspute
15. Opphengsbrakett
16. Dampslange
17. Dampmunnstykke
18. Vinkelbørste  
(for bruk på hardnakkede flekker)
19. Børsteverktøy  
(for på fliser/støp)
20. Nal  
(for bruk på dusjkabinetter/glass/vinduer/speil/klær/møbeltrekk)
- 20a. Nalstrømpe
21. Stor nal  
(for bruk på dusjkabinetter/glass/vinduer/speil/klær/møbeltrekk)
- 21a. Stor nalstrømpe
22. Dampbørsteenhet
- 22a. Dampstålbørste  
(for bruk på grill og ovn)
- 22b. Dampstøtbørste  
(for bruk på grill/ovn/kokeplater/kraner/støp)
- 22c. Dampstøtbørste, bred  
(for bruk på store flater)
23. Trekanthode  
(for bruk på klær/møbeltrekk/store flater)
- 23a. Rengjøringspute, flate flater
- 23b. Tøydampingsadapter  
(for bruk på klær/møbler)
- 23c. Tøydampingsbørste  
(for bruk på klær/møbler)
- 23d. Tøydampingspute  
(for bruk på klær/møbler)
24. Damppute, stoff og tøy  
(for bruk på klær/møbler)
25. SteaMitt™
26. SteaMitt™ slange
27. SteaMitt™ rengjøringspute
28. Justerbar dyse



## Konfigurasjon

	F S M H 1 3 2 1	F S M H 1 3 5 1 S M	F S H 1 3 1 0 1 S M	F S M H 1 3 1 5 1 S M	F S M H 1 3 1 5 1 S M	F S M H 1 3 2 1 J	F S M H 1 3 2 1 J S M	F S M H 1 3 2 1 J M D	S E T T I N G S
12	✓	✓	✓	✓	✓	✓	✓	✓	Alle
12a			✓	✓	✓	✓	✓	✓	Alle
12b				✓	✓	✓	✓	✓	Alle
13	✓	✓	✓	✓	✓	✓	✓	✓	Alle
16	✓	✓	✓	✓	✓	✓	✓	✓	Alle
18	✓	✓		✓	✓	✓	✓	✓	*
19	✓	✓	✓			✓	✓	✓	...
20	✓	✓	✓	✓	✓	✓	✓	✓	*
20a	✓	✓	✓	✓	✓	✓	✓	✓	*
21									*
21a									*
22				✓	✓				Alle
22a				✓	✓				Alle
22b				✓	✓				Alle
22c				✓	✓				Alle
23									Alle
23a									Alle
23b									*
23c									*
23d									*
24									*
25				✓	✓				Ikke aktuell
28					✓				ALLE

## Montering



Advarsel! Før du utfører noen av fremgangsmåtene nedenfor, må du sikre at produktet er slått av, at støpselet er trukket ut, og at produktet er avkjølt og ikke inneholder vann.

### Sette på håndtaket (Fig. A)

- ◆ Skyv den nedre delen av håndtaket (8) inn i den øvre delen av dampmoppenheten (11) til det klikker på plass.

### Sette på den håndholdte dampmoppenheten (Fig. B)

- ◆ Hold på baksiden av dampmoppenheten (11), og trykk den håndholdte dampmoppenheten (5) inn i dampmoppenheten (11), pass på at den sitter korrekt på grensesnittet (11a) og klikker på plass.

### Ta av den håndholdte dampmoppenheten (Fig. B)

- ◆ Skyv låseknappen (10) på hovedenheten (11) og løft dampvaskeren (5) av grensesnittet (11a) og av hovedenheten (11).

### Sette på en rengjøringspute (Fig. C)

Ekstra rengjøringsputer får du hos din BLACK+DECKER-forhandler (artikkelnummer FSPM20-XJ).

- ◆ Plasser en rengjøringspute (13) på gulvet med festesiden av borrelåsen opp.
- ◆ Trykk dampmoppen forsiktig ned på rengjøringsputen (13).

**Merk:** Denne enheten kan leveres med et standard rengjøringshode for gulv (12) eller et dampstøt-hode (12a). Disse instruksene gjelder begge varianter.

**Forsiktig!** La aldri dampmoppen være på ett sted noen tid. Plasser alltid dampmoppen på hvilematten med håndtaket (8) i stående stilling når den er i ro, og pass på at dampmoppen er slått av når den ikke er i bruk.

### Fjerne en rengjøringspute

**Forsiktig!** Bruk alltid egnede sko når du bytter rengjøringspute på dampmoppen.

Ikke bruk tøfler eller fottøy med åpne tær.

- ◆ Sett håndtaket (8) i stående stilling igjen, og slå dampmoppen av.
- ◆ Vent til dampenheten er avkjølt før du setter den til oppbevaring (omtrent 5 minutter).
- ◆ Løft dampmoppen vekk fra rengjøringsputen ved å løsne borrelåsen.

**Forsiktig!** La aldri dampmoppen være på ett sted noen tid. Plasser alltid dampmoppen på hvilematten med håndtaket (8) i stående stilling når den er i ro, og pass på at dampmoppen er slått av når den ikke er i bruk.

### Fylle vanntanken (Fig. Q)

**Merk!** Fyll vanntanken med rent vann fra kranen (ikke bruk tilsetninger eller kjemikalier).

**Merk!** I områder med hardt vann anbefales bruk av avionisert vann.

- ◆ Åpne påfyllingslokket (4) ved å vippe det ned.
- ◆ Fyll vanntanken med rent vann fra kranen (ikke bruk tilsetninger eller kjemikalier).

**Advarsel!** Ved fylling, løsne fra hovedenheten og hold i horisontal stilling.

**Advarsel!** Vanntanken tar 0,5 liter. Ikke fyll for mye på tanken.

- ◆ Sett på fyllingslokket (4) igjen.

**Merk!** Pass på at påfyllingslokket er satt på riktig.

### Fest teppeglideren (12b) (bare til bruk på tepper)

- ◆ Plasser teppeglideren (12b) på gulvet.
- ◆ Fest en rengjøringspute til gulvrengjøringshodet (12)
- ◆ Trykk dampmoppen forsiktig ned på teppeglideren (12b) til den klikker på plass.

**Forsiktig!** La aldri dampmoppen være på ett sted noen tid.

Plasser alltid dampmoppen på hvilematten med håndtaket (8) i stående stilling når den er i ro, og pass på at dampmoppen er slått av når den ikke er i bruk.

### Fjerne teppeglideren

**Forsiktig!** Bruk alltid egnede sko når du tar teppeglideren av dampmoppen. Ikke bruk tøfler eller fottøy med åpne tær.

- ◆ Sett håndtaket (8) i stående stilling igjen, og slå dampmoppen av.
- ◆ Vent til dampenheten er avkjølt før du setter den til oppbevaring (omtrent 5 minutter).
- ◆ Plasser skotuppen på klaffen for fjerning av teppeglideren, og trykk bestemt nedover.
- ◆ Løft dampmoppen opp og bort fra teppeglideren.

**Forsiktig!** La aldri dampmoppen være på ett sted noen tid.

Plasser alltid dampmoppen på hvilematten med håndtaket (8) i stående stilling når den er i ro, og pass på at dampmoppen er slått av når den ikke er i bruk.

### Sette slange og tilbehør på den håndholdte dampenheten (figur G - O)

**Advarsel!** Inspiser pakningen mellom koblingspunktet på den håndholdte dampvaskeren (5) og dampslangen (16) før hver bruk. Hvis pakningen mangler eller er skadet, må du kontakte nærmeste autoriserte serviceverksted. Ikke bruk produktet.

### Feste slangen

- ◆ Trykk på dampslangens låseknapp (16a) på dampslangen (16).
- ◆ Koble dampslangen (16) til den håndholdte dampvaskeren (5) og løsne låseknappen på dampslangen (16a), pass på at den klikker på plass.

**Viktig!** Sørg for at slangen (16) er sikkert festet før du bruker den håndholdte dampenheten (5). Dersom det kommer damp ut ved åpningen, er ikke slangen korrekt festet. Slå enheten av, og la den avkjøles før du tar av og setter på igjen slangen.

### Sette på tilbehør (Fig. H)

- ◆ Plasser tappene på slangen (17) mot sporene i tilbehøret.
- ◆ Trykk tilbehøret (25) inn på slangen (17), og vri mot klokken til tilbehøret klikker på plass.

**Viktig!** Alt tilbehør unntatt SteaMitt™ (25), som har sin egen slange og kobling (26), må kobles til dampslangen (16) for bruk.

### Ta av slange og tilbehør

**Advarsel!** Dampslangen (16), dampdysen (17) og tilbehør blir varme ved bruk. La enheten og alt tilbehør avkjøles før du tar av tilbehør.

### Ta av tilbehør

- ◆ Drei tilbehøret med klokken, og trekk det deretter bort fra slangen (16).

### Ta av slangen

- ◆ Trykk låseknappen (16a) på dampslangen (16) og trekk den ut fra den håndholdte dampvaskeren.

### SteaMitt™

Dampvaskeren BLACK+DECKER™ SteaMitt™ er designet for rensing og rengjøring av fliser, arbeidsbenker og overflater i kjøkken og badrom. Produktet er bare beregnet for innendørs bruk i hjemmet.

### Sette på SteaMitt™ slangen på den håndholdte dampvaskeren

**Advarsel!** Inspiser pakningen mellom koblingspunktet på den håndholdte dampvaskeren (5) og SteaMitt™ slangen (26) før hver bruk. Hvis pakningen mangler eller er skadet, må du kontakte nærmeste autoriserte serviceverksted. Ikke bruk produktet.

- ◆ Trykk på SteaMitt™ slangens låseknapp på SteaMitt™ slangen (26).
- ◆ Koble SteaMitt™ slangen (26) til den håndholdte dampvaskeren (5) og løsne SteaMitt™ slangens låseknapp, pass på at den klikker på plass.

**Viktig!** Sørg for at SteaMitt™ slangen (26) er sikkert festet før du bruker den håndholdte dampenheten (5).

Dersom det kommer damp ut ved åpningen, er ikke slangen korrekt festet. Slå enheten av, og la den avkjøles før du tar av og setter på igjen slangen.

### Feste rengjøringspute til SteaMitt™ (Fig. L)

- ◆ Sett rengjøringsputen (27) på SteaMitt™ (25) ved å feste borrelåsene (27a) på oversiden av rengjøringsputen på borrelåsen (25a) på undersiden av SteaMitt™ (4). Trykk godt ned.

**Advarsel!** SteaMitt™ skal ikke brukes åten å sette på en rengjøringspute.

**Merk:** SteaMitt™ kan bruke 3 typer rengjøringsputer med ulik tykkelse. Den tynneste brukes for rengjøring av krumme flater som kraner og lignende. De tykkere kan brukes på større flater.

⚠ **Advarsel!** Bruk alltid SteaMitt™ som vist på figur M, med hånden inne i hansken.

⚠ **Advarsel!** Prøv aldri å bruke SteaMitt™ ved å gripe den utvendig som vist i figur N. Dette vil føre til brannskader.

- ⚠ **Advarsel!** Unngå å bruke SteaMitt™ i trange hjørner som vist i figur O.
- ⚠ **Advarsel!** Dersom det oppstår et problem under bruken, bruk hurtiglåsen for raskt å løsne SteaMitt™ fra hånden, som vist i figur P.
- ⚠ **Advarsel!** Ikke bruk SteaMitt™ på kaldt glass som vinduer, det kan oppstå skader ved den brå temperaturendringen.
- ⚠ **Advarsel!** Pek eller rett aldri dampvotten mot deg selv eller andre personer.

**Merk:** Skiven for styring av damp er frakoblet når SteaMitt™ er tilkoblet, og derfor er damputførselen begrenset.

## Bruk

**Viktig!** Denne enheten dreper 99,9 % av mikrober inkludert bakterier når den brukes i samsvar med denne håndboken, mikrofiberputen er satt på, og enheten brukes kontinuerlig i 90 sekunder.

## Slå på og av

- ◆ Når du skal slå apparatet på, trykker du på AV/PÅ-bryteren (1). Det tar ca. 15 sekunder til dampmoppen er oppvarmet.
- ◆ Når du skal slå apparatet på, trykker du på AV/PÅ-bryteren (1).

**Merk:** ha alltid hånden i SteaMitt™ før du trykker på dampknappen.

**Forsiktig!** La aldri dampmoppen være på ett sted noen tid. Plasser alltid dampmoppen på hvilematten med håndtaket (8) i stående stilling når den er i ro, og pass på at dampmoppen er slått av når den ikke er i bruk.



**Forsiktig!** Tøm alltid dampmoppen etter bruk.

**Merk!** Ved første fylling eller etter at den har gått tom, kan det ta opptil 45 sekunder før det lages damp.

## Autoselect™-teknologi (Fig. R)

Denne dampmoppen har en Autoselect™-skive (2) som viser ulike rengjøringsanvendelser. De brukes til å velge riktig innstilling for den bestemte rengjøringsoppgaven.

Med Autoselect™ kan du velge mellom bruksområdene nedenfor ved å vri på Autoselect™-skiven (2) til den ønskede innstillingen er oppnådd.

Innstilling	Mopp	Håndholdt
	Tre/laminat	Høy temperatur damp for vinduer ●
	Stein/marmor	● ●
	Fliser/vinyl	Lav temperatur for kraftig skitt ● ● ●

Dampmoppen vil velge riktig dampvolum for den bestemte rengjøringsoppgaven.

**Merk:** Kontroller alltid at du bruker riktig innstilling før du bruker dampmoppen.

## Dampstøt (Fig. C1) (kun tilgjengelig for apparatene FSMH1310SM, FSMH13151SM)

Gulvhodet (12a) er utstyrt med en dampstøtpedal som bidrar til å fjerne vanskelige flekker.

- ◆ Under bruk trykker du inn dampstøt-knappen for å få mer kraft i rengjøringen.
- ◆ Trykk pedalen en gang til for å gå tilbake til normal innstilling.

## Råd for optimal bruk

### Generelt

**Forsiktig:** Bruk aldri dampmoppen uten å sette på rengjøringsputen først.

- ◆ Du må alltid støvsuge eller feie gulvet før du bruker dampmoppen.
- ◆ Den enkleste måten å bruke produktet på er å la håndtaket helle 45° og gjøre rent langsomt – et lite område om gangen.
- ◆ Bruk kun vann uten tilsetninger eller kjemikalier med dampmoppen. Når du skal fjerne vanskelige flekker fra vinyl- eller linoleumsgulv, kan du forbehandle det med et mildt rengjøringsmiddel og litt vann før du bruker dampmoppen.

### Damprengjøring med moppen

- ◆ Sett den håndholdte dampenheten (5) i dampmoppenheten (11)
- ◆ Plasser en rengjøringspute (13) på gulvet med festesiden av borrelåsen opp.
- ◆ Trykk dampmoppen forsiktig ned på rengjøringsputen (13).
- ◆ Sett støpselet til dampmoppen i stikkkontakten.
- ◆ Trykk på AV/PÅ-knappen (1). Det tar ca. 15 sekunder til dampmoppen er oppvarmet.
- ◆ Drei Autoselect™-skiven (2) til ønsket innstilling. Etter noen få sekunder begynner det å komme damp ut av damphodet.

**Merk!** Ved første fylling eller etter at den har gått tom, kan det ta opptil 45 sekunder før det lages damp.

- ◆ Det tar noen få sekunder før dampen kommer inn i rengjøringsputen. Dampmoppen glir nå lett over overflaten som skal renses/rengjøres.
- ◆ Skyv og trekk dampmoppen langsomt over gulvet for å rengjøre alle deler grundig med dampen.
- ◆ Når du er ferdig med å bruke dampmoppen, sett håndtaket (8) rett opp, pass på at den står stødig og slå den AV.

Vent til dampmoppen er avkjølt (omtrent 5 minutter).

**Forsiktig!** Det er viktig å holde øye med vannivået i vanntanken. Når du skal fylle på vanntanken og fortsette å rense/rengjøre, setter du håndtaket i stående stilling og slår dampmoppen AV. Trekk støpselet ut av stikkontakten, og fyll vanntanken (3) igjen.

**Forsiktig!** La aldri dampmoppen være på ett sted noen tid. Plasser alltid dampmoppen på hvilematten med håndtaket (8) i stående stilling når den er i ro, og pass på at dampmoppen er slått av når den ikke er i bruk.

## Oppfrisking av tepper

- ◆ Plasser en rengjøringspute (13) på gulvet med festesiden av borrelåsen opp.
- ◆ Trykk dampmoppen forsiktig ned på rengjøringsputen.
- ◆ Plasser teppeglideren (12b) på gulvet.
- ◆ Trykk dampmoppen forsiktig ned på teppeglideren til den klikker på plass.
- ◆ Sett støpselet til dampmoppen i stikkontakten.
- ◆ Trykk på AV/PÅ-knappen (1). Det tar ca. 15 sekunder til dampmoppen er oppvarmet.
- ◆ Drei Autoselect™-skiven (2) til innstillingen for tre/laminat.
- ◆ Skyv og trekk dampmoppen langsomt over teppet for å oppfriske alle deler grundig med dampen.
- ◆ Når du er ferdig med å bruke dampmoppen, sett håndtaket (8) rett opp, og slå den AV. Vent til dampmoppen er avkjølt (omtrent 5 minutter).

## Etter bruk

- ◆ Drei Autoselect™-skiven (2) til AV-posisjon.
- ◆ Vent til dampmoppen er avkjølt.
- ◆ Ta støpselet til dampmoppen ut av stikkontakten.
- ◆ Tøm vanntanken.
- ◆ Ta av rengjøringsputen (13), vask den så den er klar for neste bruk (pass på å følge vaskeanvisningen som er trykket på rengjøringsputen).
- ◆ Vikle strømledningen rundt kabelfestekrokene (7 og 9).
- ◆ Alternativt kan du benytte en hengebrakett (15) som er bygd inn i håndtaket (6), og som gjør det mulig å henge dampmoppen fra en passende krok på veggen. Pass alltid på at veggkroken trygt kan bære vekten av dampmoppen.

## Rengjøring med håndholdt enhet

**Advarsel!** Enheten vil ikke produsere damp uten at det er koblet til hovedenheten (11) eller dampslangen (16) er satt på.  
**Advarsel!** Skal kun brukes i horisontal posisjon.

- ◆ Sett på ønsket tilbehør.
- ◆ Koble den håndholdte dampenheten til strømmen.
- ◆ Trykk på AV/PÅ-knappen (1). Det tar ca. 15 sekunder til dampmoppen er oppvarmet.
- ◆ Drei Autoselect™-skiven (2) til ønsket innstilling. Etter noen få sekunder begynner det å komme damp ut av damphodet.

**Merk!** Ved første fylling eller etter at den har gått tom, kan det ta opptil 45 sekunder før det lages damp.

- ◆ Når du er ferdig å bruke den håndholdte dampvaskeren, sett Autoselect™-skiven (2) til AV. Slå AV enheten ved å trykke på AV/PÅ-knappen (1) og koble fra strømmen. Vent til enheten kjøler seg ned før du setter den vekk (omtrent fem minutter).

## Tilbehør

Produktets ytelse avhenger av tilbehøret du bruker.

Tilbehør fra BLACK & DECKER er produsert etter høye kvalitetsstandarder og er konstruert for å bedre produktets ytelse. Hvis du bruker dette tilbehøret, får du mest mulig ut av utstyret ditt.

## Tekniske data

FSMH1321		
Spenning	V <sub>ac</sub>	230
På/av	W	1300
Tankkapasitet	ml	500
Vekt	kg	2,7
FSMH1351SM		
Spenning	V <sub>ac</sub>	230
På/av	W	1300
Tankkapasitet	ml	500
Vekt	kg	2,7
FSMH13101SM		
Spenning	V <sub>ac</sub>	230
På/av	W	1300
Tankkapasitet	ml	500
Vekt	kg	2,8
FSMH13151SM		
Spenning	V <sub>ac</sub>	230
På/av	W	1300
Tankkapasitet	ml	500
Vekt	kg	2,8
FSMH1321J		
Spenning	V <sub>ac</sub>	230
På/av	W	1300
Tankkapasitet	ml	500
Vekt	kg	2,7
FSMH1321JSM		
Spenning	V <sub>ac</sub>	230
På/av	W	1300
Tankkapasitet	ml	500
Vekt	kg	2,8
FSMH1321JMD		
Spenning	V <sub>ac</sub>	230
På/av	W	1300
Tankkapasitet	ml	500
Vekt	kg	2,8

## Feilsøking

Hvis apparatet ikke fungerer som det skal, følger du instruksjonene nedenfor. Hvis problemet ikke løses, kontakter du ditt lokale BLACK+DECKER-serviceverksted.

Problem	Trinn	Mulig løsning
Dampmoppen slår seg ikke på	1.	Kontroller at enheten er koblet til stikkontakten.
	2.	Kontroller at enheten er slått på med PÅ/AV knappen (1)
	3.	Kontroller sikringen i støpselet.
Dampmoppen produserer ikke damp	4.	Dampmoppen vil bare produsere damp dersom dampvotten (5) festet korrekt til hoveddelen (11) og dampslangen er koblet til Autoselect™ og slått på
	5.	Kontroller at vanntanken er full. <b>Merk:</b> Ved første fylling eller etter at den har gått tom, kan det ta opptil 45 sekunder før det lages damp.
	6.	Kontroller trinn 1, så 2 og deretter 3
Dampmoppen stopper å lage damp under bruk	7.	Kontroller trinn 4, så 5 og deretter 3
Dampmoppen lager for lite damp under bruk	8.	Drei Autoselect™-skiven (2) mot klokken for å redusere mengden damp som produseres
Dampmoppen lager for lite damp under bruk	9.	Drei Autoselect™-skiven (2) med klokken for å øke mengden damp som produseres
Det produseres ikke damp fra den håndholdte dampvaskeren	10.	Drei Autoselect™-skiven (2) til PÅ-posisjon
	11.	Kontroller trinn 5, så 2 og deretter 3
Den håndholdte dampvaskeren lager for lite damp under bruk	12.	Drei Autoselect™-skiven (2) med klokken for å øke mengden damp som produseres
	13.	Kontroller trinn 5
Den håndholdte dampvaskeren lager for mye damp under bruk	14.	Drei Autoselect™-skiven (2) mot klokken for å redusere mengden damp som produseres
Tilbehøret faller stadig av enheten	15.	Se avsnittet om montering for korrekt montering av deler og tilbehør
Damp kommer ut på uventede steder på apparatet	16.	Se avsnittet om montering for korrekt montering av deler og tilbehør
Hvor kan jeg finne mer informasjon/tilbehør	17.	<a href="http://www.blackanddecker.co.uk/steammop">www.blackanddecker.co.uk/steammop</a> <a href="http://www.blackanddecker.co.uk/steammop">www.blackanddecker.co.uk/steammop</a>

## Tilsluttet brug

Din BLACK+DECKER™ FSMH1321, FSMH13515M, FSMH13101SM, FSMH13151SM, FSMH1321J, FSMH1321JSM, FSMH1321JMD dampmoppe er beregnet til rensning og rengøring af forsejlet hårdtræ, forsejlet laminat, linoleum, vinyl, keramikfliser, sten- og marmorgulve. Apparatet er kun beregnet til indendørs brug i husholdninger.

## Sikkerhedsinstruksjoner



**Advarsel! Læs hele vejledningen “Sikkerhed, vedligeholdelse og service” omhyggeligt, før du bruger dette apparat. Læs hele vejledningen omhyggeligt, før du bruger apparatet.**

## Mærkater på apparatet

Følgende piktogrammer vises på værktøjet sammen med datokoder.



FORSIGTIG Varm damp



Der drypper vand, når den bruges omvendt



Der kommer damp ud fra alle sider



Må ikke efterlades uden opsyn med mindre børn



Vask i hånden

## Funktioner

Dette apparat leveres med nogle af eller alle de følgende komponenter.

1. Tænd/sluk-kontakt
2. Autoselect™-skive
3. Håndholdt dampenhedshåndtag
4. Hætte
5. Håndholdt dampenhed
6. Håndgreb
7. Kabelholder, øverste kabel
8. Hovedhåndtag
9. Kabelholder, nederste kabel
10. Udløserknap til håndholdt dampenhed
11. Hoveddel
12. Gulvrengrøringsmundstykke
- 12a. Gulvrengrøringsmundstykke med damptryk
- 12b. Tæppeglider  
(til brug på tæpper)
13. Gulvmoppeklud

14. Udløsningstap til gulvmoppeklud
15. Hængebeslag
16. Dampslange
17. Dampdyse
18. Vinkelbørstetilbehør  
(til brug på genstridige pletter)
19. Børstetilbehør  
(til brug på fliser/fugemasse)
20. Vinduesskrabertilbehør  
(til brug på bruseskærme/glas/spejle/tøj/betræk)
- 20a. Vinduesskrabersok
21. Stort vinduesskrabertilbehør  
(til brug på bruseskærme/glas/spejle/tøj/betræk)
- 21a. Stor vinduesskrabersok
22. Børsteenhed med damptryk
- 22a. Ståltrådsbørste med damptryk  
(til brug på grill/ovne)
- 22b. Børste med damptryk  
(til brug på grill/ovne/kogesektioner/haner/fugemasse)
- 22c. Bred børste med damptryk  
(til brug på større arbejdsflader)
23. Delta-hoved  
(til brug på tøj/betræk/større arbejdsflader)
- 23a. Moppeklud til plan overflade
- 23b. Grænseflade til dampbehandling af klædningsstykker  
(til brug på tøj/betræk)
- 23c. Børste til dampbehandling af klædningsstykker  
(til brug på tøj/betræk)
- 23d. Klud til dampbehandling af klædningsstykker  
(til brug på tøj/betræk)
- 23a. Klud til dampbehandling af klædningsstykker  
(til brug på tøj/betræk)
- 23b. Klud til dampbehandling af klædningsstykker  
(til brug på tøj/betræk)
- 23c. Klud til dampbehandling af klædningsstykker  
(til brug på tøj/betræk)
24. Dampningsklud til stof og klædningsstykker  
(til brug på tøj/betræk)
25. SteaMitt™
26. SteaMitt™ slange
27. SteaMitt™ moppeklud
28. Justerbar dyse

## Konfiguration

	F S M H 1 3 2 2 1	F S M H 1 3 5 1 S M	F S H 1 3 1 0 1 S M	F S M H 1 3 1 5 1 S M	F S M H 1 3 1 5 1 S M	F S M H 1 3 2 2 1 J	F S M H 1 3 2 2 1 J S M	F S M H 1 3 2 2 1 J M D	S E T T I N G S
12	✓	✓	✓	✓	✓	✓	✓	✓	Alle
12a			✓	✓	✓	✓	✓	✓	Alle
12b				✓	✓	✓	✓	✓	Alle
13	✓	✓	✓	✓	✓	✓	✓	✓	Alle
16	✓	✓	✓	✓	✓	✓	✓	✓	Alle
18	✓	✓		✓	✓	✓	✓	✓	*
19	✓	✓	✓			✓	✓	✓	***
20	✓	✓	✓	✓	✓	✓	✓	✓	*
20a	✓	✓	✓	✓	✓	✓	✓	✓	*
21									*
21a									*
22				✓	✓				Alle
22a				✓	✓				Alle
22b				✓	✓				Alle
22c				✓	✓				Alle
23									Alle
23a									Alle
23b									*
23c									*
23d									*
24									*
25				✓	✓				N/A
28					✓				ALLE

## Samling



Advarsel! Sørg for, at apparatet er afbrudt, at stikket er taget ud, og at apparatet er koldt og ikke indeholder vand, inden nogle af de følgende instruktioner udføres.

## Montering af håndtaget (fig. A)

- ◆ Skub den nederste ende af håndtaget (8) ind i den øverste ende af dampmoppekabinettet (11), indtil det klikker på plads.

**Påmontering af den håndholdte damprenser (Fig. B)**

- ◆ Mens det bageste af dampmoppen (11) holdes fast, skubbes den håndholdte damprenser (5) solidt ind i dampmoppen (11), mens det sørges for, at den sidder korrekt over grænsefladen (11a) og klikker godt på plads.

**Afmontering af den håndholdte damprenser (fig. B)**

- ◆ Tryk på udløserknappen (10) på hoveddelen (11), og løft den håndholdte damprenser (5) fra grænsefladen (11a) og væk fra hoveddelen (11).

**Påsætning af moppeklud (fig. C)**

Nye moppeklude fås hos din BLACK+DECKER forhandler- (kat nr. FSMP20-XJ).

- ◆ Læg moppekluden (13) på gulvet med velcro-siden opad.
- ◆ Pres dampmoppen let ned på moppekluden (13).

**Bemærk:** Denne enhed kan være udstyret med et almindeligt gulv rengøringsmundstykke (12) eller et rengøringsmundstykke med damptryk (12a). I begge tilfælde skal disse anvisninger anvendes til at påmontere en moppeklud.

**Forsigtig!** Lad aldrig dampmoppen blive stående på et sted på nogen form for overflade. Stil altid dampmoppen med håndtaget (8) understøttet i lodret stilling, når den står stille og sørg for, at dampmoppen er slukket, når den ikke er i brug.

**Aftagning af moppeklud**

**Forsigtig!** Benyt altid egnet fodtøj, når du skifter moppeklud på din dampmoppe.

Brug ikke hjemmesko eller åbne sko.

- ◆ Sæt håndtaget (8) tilbage i lodret position, og sæt dampmoppen på 'OFF'.
- ◆ Vent, til at dampmoppen er afkølet, før den sættes væk (ca. 5 minutter).
- ◆ Løft dampmoppen væk fra moppekluden og frigør den fra velcrolukningen.

**Forsigtig!** Lad aldrig dampmoppen blive stående på et sted på nogen form for overflade.

Stil altid dampmoppen med håndtaget (8) understøttet i lodret stilling, når den står stille og sørg for, at dampmoppen er slukket, når den ikke er i brug.

**Påfyldning af vandbeholderen (fig. Q)**

**Bemærk!** Fyld vandbeholderen med rent vand fra hanen (Brug ikke tilsætningsstoffer eller kemikalier).

**Bemærk!** I områder med hårdt vand anbefales det at anvende deioniseret vand.

- ◆ Åbn hættten (4) ved at vippe den op.
- ◆ Fyld vandbeholderen med (Brug ikke tilsætningsstoffer eller kemikalier).

**Advarsel!** Under påfyldningen skal den tages af hoveddelen og holdes i en vandret position.

**Advarsel!** Vandbeholderen rummer 0.5 liter. Overfyld ikke beholderen.

- ◆ Luk hættten (4).

**Bemærk!** Sørg for, at hættten er sat forsvarligt på.

**Montering af tæppeglideren (12b) (må kun bruges på tæpper)**

- ◆ Læg tæppeglideren (12b) på gulvet.
- ◆ Sæt en moppeklud på gulv rengøringsmundstykket (12)
- ◆ Pres forsigtigt dampmoppen ned på tæppeglideren (12b), indtil den klikker på plads.

**Forsigtig!** Lad aldrig dampmoppen blive stående på et sted på nogen form for overflade. Stil altid dampmoppen med håndtaget (8) understøttet i lodret stilling, når den står stille og sørg for, at dampmoppen er slukket, når den ikke er i brug.

**Afmontering af tæppeglideren**

**Forsigtig!** Benyt altid egnet fodtøj, når du skifter tæppeglideren på din dampmoppe. Brug ikke hjemmesko eller åbne sko.

- ◆ Sæt håndtaget (8) tilbage i lodret position, og sæt dampmoppen på 'OFF'.
- ◆ Vent, til at dampmoppen er afkølet, før den sættes væk (ca. 5 minutter).
- ◆ Tryk fast på udløserpedalen til tæppeglideren med skosnuden.
- ◆ Løft dampmoppen op og væk fra tæppeglideren.

**Forsigtig!** Lad aldrig dampmoppen blive stående på et sted på nogen form for overflade. Stil altid dampmoppen med håndtaget (8) understøttet i lodret stilling, når den står stille og sørg for, at dampmoppen er slukket, når den ikke er i brug.

**Montering af slangen og tilbehøret på den håndholdte damprenser (fig. G - O)**

**Advarsel!** Inspicer forseglingen mellem forbindelsespunktet på den håndholdte damprenser (5) og dampslangen (16) inden hver brug. Hvis forseglingen har en defekt eller er beskadiget, kontaktes det nærmeste autoriserede serviceværksted. Apparatet må ikke bruges.

**Montering af slangen**

- ◆ Tryk på udløserknappen til dampslangen (16a) på dampslangen (16).
- ◆ Slut dampslangen (16) til den håndholdte damprenser (5), og udløs udløserknappen til dampslangen (16a), mens du sørger for, at den klikker på plads.

**Vigtigt!** Sørg for, at dampslangen (16) er sluttet korrekt til den håndholdte damprenser (5). Hvis der kommer damp ud fra sammenslutningen, er slangen sat forkert på. Sluk enheden, lad den køle af, og genmonter slangen.

**Montering af tilbehør (fig. H)**

- ◆ Ret monteringsstederne på dampdysen (17) ind efter fordybningerne på tilbehøret.

- ◆ Tryk tilbehøret på dampdysen (17), og drej imod uret, indtil tilbehøret klikker på plads.

**Vigtigt!** Alt tilbehør, bortset fra SteaMitt™ (25), som har sin egen slange og forbindelse (26), skal sættes på dampslangen (16) ved brug.

## Afmontering af slangen

**Advarsel!** Dampslangen (16), dampdysen (17) og tilbehør bliver varme under brug. Lad enheden og alt tilbehør køle af, før det forsøges fjernet.

## Afmontering af tilbehør

- ◆ Drej tilbehøret med uret, og træk det derefter væk fra slangen (16).

## Afmontering af slangen

- ◆ Tryk på udløserknappen til dampslangen (16a) på dampslangen (16), og træk den væk fra den håndholdte dampenhed.

## SteaMitt™

Din BLACK+DECKER™ SteaMitt™ er designet til rensning og rengøring af fliser, bordplader, køkken- og badeværelsesoverflader. Apparatet er kun beregnet til indendørs brug i husholdninger.

## Montering af SteaMitt™ slangen på den håndholdte dampenhed

**Advarsel!** Inspicer forseglingen mellem forbindelsespunktet på den håndholdte damprenser (5) og SteaMitt™ slangen (26) inden hver brug. Hvis forseglingen har en defekt eller er beskadiget, kontaktes det nærmeste autoriserede serviceværksted. Apparatet må ikke bruges.

- ◆ Tryk på udløserknappen til SteaMitt™ slangen på SteaMitt™ slangen (26).
- ◆ Slut SteaMitt™ slangen (26) til den håndholdte damprenser (5) og udløs udløserknappen til SteaMitt™ slangen, mens du sørger for, at den klikker på plads.

**Vigtigt!** Sørg for, at SteaMitt™ slangen (26) er sluttet korrekt til den håndholdte damprenser (5).

Hvis der kommer damp ud fra sammenslutningen, er slangen sat forkert på. Sluk enheden, lad den køle køle af, og genmonter slangen.

## Montering af en moppeklud på SteaMitt™ (fig. L)

- ◆ Sæt moppekluden (27) på SteaMitt™ (25) ved at fastgøre 'strop'-velcrostrimlerne (27a) på oversiden af moppekluden til 'krog'-velcropuderne (25a) på undersiden af SteaMitt™ (4). Tryk den godt ned.

**Advarsel!** SteaMitt™ bør ikke anvendes uden påmontering af en moppeklud.

**Bemærk:** SteaMitt™ har plads til 3 typer moppeklude af forskellig tykkelse. Den tyndeste kan bruges til at rengøre 3D-forme såsom haner osv. De tykkere versioner kan bruges til større flade områder.

⚠ **Advarsel!** Brug altid SteaMitt™ som vist i figur M, med din hånd i den beskyttende handske.

⚠ **Advarsel!** Forsøg aldrig at bruge SteaMitt™ ved at tage fat om den eksternt, som vist i figur N. Dette vil resultere i skoldning.

⚠ **Advarsel!** Undgå at bruge SteaMitt™ i snævre hjørner, som vist i figur O.

⚠ **Advarsel!** Hvis der skulle opstå et problem under brug, bør du bruge den hurtige udløsningsstap til hurtigt at fjerne SteaMitt™ fra din hånd, som vist i figur P.

⚠ **Advarsel!** Brug ikke SteaMitt™ på koldt glas, f.eks. vinduer, da det pludselige temperaturskift kan forårsage skader.

⚠ **Advarsel!** Peg eller vend aldrig vanten mod dig selv eller andre personer.

**Bemærk:** Variabel dampvælger frakobles, når SteaMitt™ monteres, og den efterfølgende dampstrøm er begrænset.

## Anvendelse

**Vigtigt!** Denne enhed dræber 99,9 % af bakterier og mikroorganismer, når den anvendes i overensstemmelse med instruktionerne i denne vejledning og med mikrofiberkludene monteret og en vedvarende brugstid på 90 sekunder.

## Sådan tændes og slukkes værktøjet

- ◆ Tænd for apparatet ved at trykke på tænd/sluk-kontakten (1). Det tager ca. 15 sekunder for dampmoppen at varme op.
- ◆ Sluk for apparatet ved at trykke på tænd/sluk-kontakten (1).

**Bemærk:** Hav altid din hånd inden i SteaMitt™, inden du trykker på dampknappen.

**Forsigtigt!** Lad aldrig dampmoppen blive stående på et sted på nogen form for overflade.

Stil altid dampmoppen med håndtaget (8) understøttet i lodret stilling, når den står stille og sørg for, at dampmoppen er slukket, når den ikke er i brug.

**Forsigtigt!** Tøm altid dampmoppen efter brug.




**Bemærk!** Når der påfyldes første gang, eller hvis der har været kørt tør, kan det tage op til 45 sekunder, før der frembringes damp.

## Autoselect™-teknologi (fig. R)

Denne dampmoppe er udstyret med en Autoselect™-vælger (2), som viser forskellige rengøringsindstillinger. Disse bruges til at vælge den rigtige indstilling for det aktuelle rengøringsarbejde.



Vælg et af følgende anvendelsesområder med Autoselect™ ved at dreje vælgeren Autoselect™ (2), indtil den ønskede indstilling er valgt.

Indstilling	Moppe	Håndholdt
	Træ/laminat	Damp af høj temperatur til vinduer ●
	Sten/marmor	● ●
	Fliser/vinyl	Damp af lav temperatur til kraftigt snavs ● ● ●

Dampmoppen indstiller den rigtige dampmængde til det aktuelle rengøringsarbejde.

**Bemærk:** Kontroller altid, at du bruger den korrekte indstilling, inden du bruger dampmoppen.

### Damptryk (fig. C1) (kun tilgængeligt med enhederne FSMH1310SM, FSMH13151SM)

Gulmundstykket (12a) er forsynet med en damptrykspedal som hjælp til fjernelse af genstridige mærker og pletter.

- ◆ Tryk under brug på damptrykspedalen for at anvende ekstra rengøringsstyrke.
- ◆ Tryk på pedalen igen for at vende tilbage til normal indstilling.

### Gode råd til optimal brug

#### Generelt

**Forsigtig:** Brug aldrig dampmoppen uden moppeklud.

- ◆ Støvsug eller føj altid gulvet, før du bruger dampmoppen.
- ◆ Den letteste måde at bruge apparatet på er at holde håndtaget i en 45° vinkel og rengøre et lille område ad gangen med langsomme bevægelser.
- ◆ Brug kun vand uden tilsætningsstoffer eller kemikalier med din dampmoppe. Hårdnakkede pletter på vinyl- eller linoleumsgulve kan forbehandles med et mildt rensmiddel og vand, før du bruger dampmoppen.

### Damprengøring med moppen

- ◆ Monter den håndholdte damprens (5) på dampmoppekabinettet (11)
- ◆ Læg moppekluden (13) på gulvet med velcro-siden opad.
- ◆ Pres dampmoppen let ned på moppekluden (13).
- ◆ Tilslut dampmoppen til ledningsnettet.
- ◆ Tryk på tænd/sluk-knappen (1). Det tager ca. 15 sekunder for dampmoppen at varme op.
- ◆ Drej Autoselect™-knappen (2), indtil den ønskede indstilling nås. Efter få sekunder begynder der at komme damp ud af damphovedet.

**Bemærk!** Når der påfyldes første gang, eller hvis der har været kørt tør, kan det tage op til 45 sekunder, før der frembringes damp.

- ◆ Det tager nogle få sekunder for dampen at komme ind i moppekluden. Dampmoppen glider nu let hen over den overflade, der skal renses/rengøres.
- ◆ Skub og træk dampmoppen langsomt hen over overfladen for at gøre hvert enkelt afsnit grundigt rent med dampen.
- ◆ Når du er færdig med at bruge dampmoppen, drej håndtaget (8) til oprejst position og kontroller, at den er understøttet, før du slår den 'OFF'. Vent, til at dampmoppen er afkølet, før den sættes væk (ca. fem minutter).

**Forsigtig!** Det er vigtigt at holde øje med vandstanden i vandbeholderen. For at fylde vand i vandbeholderen og fortsætte med rensningen/rengøringen skal du kontrollere, at håndtaget er understøttet, før du slår dampmoppen fra med off-knappen. Træk stikket ud af stikkontakten i væggen, og fyld vandbeholderen.

**Forsigtig!** Lad aldrig dampmoppen blive stående på et sted på nogen form for overflade. Stil altid dampmoppen med håndtaget (8) understøttet i lodret stilling, når den står stille og sørg for, at dampmoppen er slukket, når den ikke er i brug.

### Opfriskning af tæpper

- ◆ Læg moppekluden (13) på gulvet med 'strop'-siden opad.
- ◆ Pres dampmoppen let ned på moppekluden.
- ◆ Læg tæppeglideren (12b) på gulvet.
- ◆ Pres forsigtigt dampmoppen ned på tæppeglideren, indtil den klikker på plads.
- ◆ Tilslut dampmoppen til ledningsnettet.
- ◆ Tryk på tænd/sluk-knappen (1). Det tager ca. 15 sekunder for dampmoppen at varme op.
- ◆ Drej Autoselect™-vælgeren (2) til træ/laminat-indstilling.
- ◆ Skub og træk dampmoppen langsomt hen over tæppet for at opfriske hvert enkelt afsnit.
- ◆ Når du er færdig med at bruge dampmoppen, drej håndtaget (8) til oprejst position, og sæt enheden på 'OFF'. Vent, til at dampmoppen er afkølet, før den sættes væk (ca. fem minutter).

### Efter brug

- ◆ Drej Autoselect™-vælgeren (2) til OFF-positionen.
- ◆ Vent indtil dampmoppen er afkølet.
- ◆ Træk stikket til dampmoppen ud af stikkontakten i væggen.
- ◆ Tøm vandbeholderen.
- ◆ Tag moppekluden (13) af, og vask den, så den er klar til næste brug (sørg for at følge vaskeanvisningerne trykt på moppekluden).
- ◆ Vikl netkablet omkring kabelholderne (7 og 9).

- Der er et hængebeslag (15) indbygget i håndtaget (6), der gør det muligt at hænge din dampmoppe på en passende krog på væggen. Sørg altid for at bruge en vægkrog, der sikkert kan bære vægten af dampmoppen.

## Håndholdt damprensning

**Advarsel!** Enheden producerer ikke damp, med mindre den er sluttet til hoveddelen (11), eller dampslangen (16) er monteret.

**Advarsel!** Må kun bruges i vandret position.

- Monter det ønskede tilbehør.
- Tilslut den håndholdte damprenser til ledningsnettet.
- Tryk på tænd/sluk-knappen (1). Det tager ca. 15 sekunder for dampmoppen at varme op.
- Drej Autoselect™-knappen (2), indtil den ønskede indstilling nås. Efter få sekunder begynder der at komme damp ud af damphovedet.

**Bemærk!** Når der påfyldes første gang, eller hvis der har været kørt tør, kan det tage op til 45 sekunder, før der frembringes damp.

- Når du er færdig med at bruge den håndholdte damprenser, skal du sætte vælgeren Autoselect™ (2) i OFF-positionen. Sæt enheden på OFF ved at trykke på tænd/sluk-knappen (1) og koble den fra netforsyningen. Vent, til enheden køler ned, inden du opbevarer den (ca. fem minutter).

## Tilbehør

Apparatets ydeevne afhænger af det anvendte tilbehør. Tilbehør fra BLACK+DECKER er fremstillet efter høje kvalitetsstandarder og er designet til at forbedre apparatets ydeevne. Når du bruger dette tilbehør, vil udstyret yde optimalt.

## Tekniske data

FSMH1321		
Spænding	V <sub>ac</sub>	230
EI-	W	1300
Tankkapacitet	ml	500
Vægt	kg	2.7
FSMH1351SM		
Spænding	V <sub>ac</sub>	230
EI-	W	1300
Tankkapacitet	ml	500
Vægt	kg	2.7
FSMH1310ISM		
Spænding	V <sub>ac</sub>	230
EI-	W	1300
Tankkapacitet	ml	500
Vægt	kg	2.8
FSMH1315ISM		
Spænding	V <sub>ac</sub>	230
EI-	W	1300
Tankkapacitet	ml	500
Vægt	kg	2.8
FSMH1321J		
Spænding	V <sub>ac</sub>	230
EI-	W	1300
Tankkapacitet	ml	500
Vægt	kg	2.7
FSMH1321JSM		
Spænding	V <sub>ac</sub>	230
EI-	W	1300
Tankkapacitet	ml	500
Vægt	kg	2.8
FSMH1321JMD		
Spænding	V <sub>ac</sub>	230
EI-	W	1300
Tankkapacitet	ml	500
Vægt	kg	2.8

## Problemløsning

Følg vejledningen nedenfor, hvis apparatet ikke synes at fungere korrekt. Hvis dette ikke løser problemet, bedes du kontakte det lokale BLACK+DECKER-værksted.

Problem	Trin	Mulig løsning
Dampmoppen starter ikke	1.	Kontroller at enheden er tilsluttet til vægkontakten.
	2.	Kontroller at enheden er slået til ved hjælp af ON/OFF kontakten (1)
	3.	Kontroller sikringen i stikket.

Problem	Trin	Mulig løsning
Dampmoppen producerer ingen damp	4.	Dampmoppen producerer kun damp, hvis den håndholdte damprenser (5) sidder korrekt i hoveddelen (11), eller dampslangen er monteret, eller Autoselect™ står på ON
	5.	Kontroller, at vandbeholderen er fuld. <b>Bemærk:</b> Når den påfyldes første gang, eller hvis den har været kørt tør, kan det tage op til 45 sekunder, før der frembringes damp.
	6.	Kontroller trin 1, derefter 2, derefter 3
Dampmoppen stopper med at producere damp under brug	7.	Kontroller trin 4, derefter 5, derefter 3
Dampmoppen producerer for meget damp under brug	8.	Drej vælgeren Autoselect™ (2) mod uret for at reducere den mængde damp, der produceres
Dampmoppen producerer for lidt damp under brug	9.	Drej vælgeren Autoselect™ (2) med uret for at øge den mængde damp, der produceres
Der produceres ingen damp fra den håndholdte damprenser	10.	Kontroller, at vælgeren Autoselect™ (2) er i ON-positionen
	11.	Kontroller trin 5, derefter 1, derefter 2, derefter 3
Den håndholdte damprenser producerer for lidt damp under brug	12.	Drej vælgeren Autoselect™ (2) med uret for at øge den mængde damp, der produceres
	13.	Kontroller trin 5
Den håndholdte damprenser producerer for meget damp under brug	14.	Drej vælgeren Autoselect™ (2) mod uret for at reducere den mængde damp, der produceres
	15.	Se kapitlet om montering for korrekt montering af alle dele og alt tilbehør
Tilbehøret bliver ved med at falde af enheden	16.	Se kapitlet om montering for korrekt montering af alle dele og alt tilbehør
Hvor kan jeg få yderligere oplysninger/tilbehør	17.	<a href="http://www.blackanddecker.co.uk/steammop">www.blackanddecker.co.uk/steammop</a> <a href="http://www.blackanddecker.ie/steammop">www.blackanddecker.ie/steammop</a>

## Käyttötarkoitus

BLACK+DECKER™ FSMH1321, FSMH13515M, FSMH13101SM, FSMH13151SM, FSMH1321J, FSMH1321JSM, FSMH1321JMD höyrymoppi on tarkoitettu tiivistettyjen puu- ja laminaatti-, linoleumi-, vinyyli-, keramiikkalaatta-, kivi- ja marmorilattioiden puhdistamiseen ja desinfiointiin. Laitte on tarkoitettu ainoastaan sisätiloissa tapahtuvaan kotitalouskäyttöön.

## Turvaohjeet



**Varoitus! Lue Turvallisuus, ylläpito ja huolto -opas huolellisesti ennen laitteen käyttöä. Lue nämä ohjeet huolellisesti ennen tämän laitteen käyttöä.**

## Laitteessa olevat merkinnät

Laitteessa on seuraavat merkit sekä päivämääräkoodi:



HUOMIO Kuumaa höyryä



Vesi valuu ylösalaisin käytettynä



Höyryä tulee kaikilta puolilta



Ei saa jättää ilman valvontaa lasten ollessa paikalla



Pese käsin

## Yleiskuvaus

Tässä laitteessa on kaikki tai joitakin seuraavista ominaisuuksista.

1. Virtakytkin
2. Autoselect™-säädin
3. Käsin pidettävän höyrytysyksikön kahva
4. Säiliön korkki
5. Käsin pidettävä höyrytysyksikkö
6. Kahva
7. Ylempi johtokoukku
8. Pääkahva
9. Alempi johtokoukku
10. Käsin pidettävän höyrytysyksikön vapautuspainike
11. Päärunko
12. Lattian puhdistuspää
- 12a. Höyrytyksen lattian puhdistuspää
- 12b. Mattokappale (käytettävä mattoihin)
13. Lattian puhdistuslevy
14. Lattian puhdistuslevyn vapautusallpa
15. Ripustuspidike
16. Höyryletku
17. Höyrysuutin
18. Kulmaharja (käytettävä vaikeisiin tahroihin)
19. Harjasuulake (käytettävä laattoihin/laastiin)

20. Kumilasta  
(käytettävä suihkuseiniin/lasiin/peileihin/tekstiileihin/  
verhoiluun)
- 20a. Kumilastapussi
21. Suuri kumilasta  
(käytettävä suihkuseiniin/lasiin/peileihin/tekstiileihin/  
verhoiluun)
- 21a. Suuri kumilastapussi
22. Höyrytyksen harjayskikko
- 22a. Höyrytyksen teräsharja  
(käytettävä grilleihin/uuneihin)
- 22b. Höyrytyksen harja  
(käytettävä grilleihin/uuneihin/keittotasoihin/hanoihin/  
laastiin)
- 22c. Höyrytyksen leveä harja  
(käytettävä suuriin työpintoihin)
23. Delta-pää  
(käytettävä tekstiiliin/verhoiluun/suuriin työpintoihin)
- 23a. Tasaisen pinnan puhdistuslevy
- 23b. Tekstiilin höyrytyksen liittymä  
(käytettävä tekstiiliin/verhoiluun)
- 23c. Tekstiilin höyrytysharja  
(käytettävä tekstiiliin/verhoiluun)
- 23d. Tekstiilin höyrytyslevy  
(käytettävä tekstiiliin/verhoiluun)
24. Tekstiilin/verhoilun höyrytyslevy  
(käytettävä tekstiiliin/verhoiluun)
25. SteaMitt™
26. SteaMitt™ -letku
27. SteaMitt™ -puhdistuslevy
28. Säädettävä suulake

## Kokoonpano

	F S M H 1 3 2 1	F S M H 1 3 5 1 S M	F S H 1 3 1 0 1 S M	F S M H 1 3 1 1 5 1 S M	F S M H 1 3 1 1 5 1 S M	F S M H 1 3 2 2 1 J	F S M H 1 3 2 2 1 J S M	F S M H 1 3 2 2 1 J M D	S E T T I N G S
12	✓	✓	✓	✓	✓	✓	✓	✓	Kaikki
12a			✓	✓	✓	✓	✓	✓	Kaikki
12b				✓	✓	✓	✓	✓	Kaikki
13	✓	✓	✓	✓	✓	✓	✓	✓	Kaikki
16	✓	✓	✓	✓	✓	✓	✓	✓	Kaikki
18	✓	✓		✓	✓	✓	✓	✓	*
19	✓	✓	✓			✓	✓	✓	***
20	✓	✓	✓	✓	✓	✓	✓	✓	*
20a	✓	✓	✓	✓	✓	✓	✓	✓	*
21									*
21a									*
22				✓	✓				Kaikki
22a				✓	✓				Kaikki
22b				✓	✓				Kaikki
22c				✓	✓				Kaikki
23									Kaikki
23a									Kaikki
23b									*
23c									*
23d									*
24									*
25				✓	✓				ei tiedossa
28					✓				KAIKKI

## Asennus



Varoitus! Ennen kuin yrität suorittaa mitään seuraavista toimenpiteistä, varmista, että laitteen virta on katkaistu, sähköpistoke on irrotettu sähköverkosta, laite on kylmä eikä se sisällä vettä.

## Kahvan kiinnittäminen (kuva A)

- ◆ Työnnä kahvan (8) alaosa höyrymopin rungon (11) yläosaan niin, että se napsahtaa paikalleen.

### Käsin pidettävän höyrypuhdistuslaitteen kiinnittäminen (kuva B)

- ◆ Tartu höyrymopin rungon (11) takaosaan ja työnnä käsin pidettävä höyrypuhdistuslaite (5) tukevasti höyrymopin runkoon (11) varmistamalla, että se on oikein kiinnitetty liitoskohtaan (11a) ja se napsahtaa paikalleen.

### Käsin pidettävän höyrypuhdistuslaitteen irrottaminen (kuva B)

- ◆ Paina päärunгон (11) vapautuspainiketta (10) ja nosta käsin pidettävä höyrypuhdistuslaite (5) irti liitoksesta (11a) ja pois päärungosta (11).

### Puhdistuslevyn kiinnittäminen (kuva C)

Vaihtopuhdistuslevyjä saat BLACK+DECKERjälleenmyyjältä (tuoteno FSMP20-XJ).

- ◆ Aseta puhdistuslevy (13) lattialle niin, että tarranauhapuoli on ylöspäin.
- ◆ Paina höyrymoppi kevyesti puhdistuslevyn (13) päälle.

**Huomautus:** Tämä yksikkö voi sisältää vakiomallisen lattian puhdistuspään (12) tai höyrytyksen puhdistuspään (12a).

Asenna puhdistuslevy joka tapauksessa näiden ohjeiden mukaisesti.

**Huomio!** Älä jätä höyrymoppia pidemmäksi ajaksi yhteen paikkaan. Aseta höyrymoppi paikoilleen aina niin, että kahva (8) on pystyasennossa. Varmista, että höyrymopin virta on katkaistu, kun laite ei ole käytössä.

### Puhdistuslevyn irrottaminen

**Huomio!** Käytä aina sopivia kenkiä höyrymopin puhdistuslevyn vaihdon aikana.

Älä käytä sandaaleja tai kärjestään avoimia jalkineita.

- ◆ Palauta kahva (8) pystyasentoon ja katkaise höyrymopin virta.
- ◆ Odota, kunnes höyrymoppi on jäähtynyt (n. 5 minuuttia).
- ◆ Nosta höyrymoppi pois puhdistuslevystä ja irrota se tarranauhakiinnityksestä.

**Huomio!** Älä jätä höyrymoppia pidemmäksi ajaksi yhteen paikkaan.

Aseta höyrymoppi paikoilleen aina niin, että kahva (8) on pystyasennossa. Varmista, että höyrymopin virta on katkaistu, kun laite ei ole käytössä.

### Vesisäiliön täyttäminen (kuva Q)

**Huomautus!** Täytä vesisäiliö puhtaalla hanavedellä (älä käytä kemikaaleja tai lisäaineita).

**Huomautus!** Jos vesi on kovaa, suosittelemme deionisoidun veden käyttöä.

- ◆ Avaa säiliön kansi (4) kääntämällä se ylös.
- ◆ Täytä vesisäiliö vedellä (älä käytä kemikaaleja tai lisäaineita).

**Varoitus!** Kun haluat täyttää säiliön, irrota se pääyksiköstä ja pidä se vaaka-asennossa.

**Varoitus!** Vesisäiliön tilavuus on 0,5 litraa. Älä täytä säiliötä liikaa.

- ◆ Sulje säiliön kansi (4).

**Huomautus!** Varmista, että säiliön kansi on kunnolla paikallaan.

### Mattokappaleen kiinnittäminen (12b) (vain mattoihin)

- ◆ Aseta mattokappale (12b) lattialle.
- ◆ Kiinnitä puhdistuslevy lattian puhdistuspäähän (12).
- ◆ Paina höyrymoppi kevyesti mattokappaleen (12b) päälle niin, että se napsahtaa paikalleen.

**Huomio!** Älä jätä höyrymoppia pidemmäksi ajaksi yhteen paikkaan. Aseta höyrymoppi paikoilleen aina niin, että kahva (8) on pystyasennossa. Varmista, että höyrymopin virta on katkaistu, kun laite ei ole käytössä.

### Mattokappaleen irrottaminen

**Huomio!** Käytä aina sopivia kenkiä höyrymopin mattokappaleen vaihdon aikana. Älä käytä sandaaleja tai kärjestään avoimia jalkineita.

- ◆ Palauta kahva (8) pystyasentoon ja katkaise höyrymopin virta.
- ◆ Odota, kunnes höyrymoppi on jäähtynyt (n. 5 minuuttia).
- ◆ Aseta kenkäsi kärki mattokappaleen irrotuskielekkeen päälle ja paina sitä voimakkaasti.
- ◆ Nosta höyrymoppi irti mattokappaleesta.

**Huomio!** Älä jätä höyrymoppia pidemmäksi ajaksi yhteen paikkaan. Aseta höyrymoppi paikoilleen aina niin, että kahva (8) on pystyasennossa. Varmista, että höyrymopin virta on katkaistu, kun laite ei ole käytössä.

### Letkun ja lisävarusteiden kiinnittäminen käsin pidettävään höyrypuhdistuslaitteeseen (kuvat G ja O)

**Varoitus!** Tarkista käsin pidettävän höyrypuhdistuslaitteen (5) ja höyryletkun (16) välinen liitäntä ennen jokaista käyttökertaa. Jos sinetti on virheellinen tai se on vahingoittunut, ota yhteyttä lähimpään valtuutettuun huoltoiliikkeeseen. Älä käytä laitetta.

### Letkun kiinnittäminen

- ◆ Paina höyryletkun vapautuspainiketta (16a) höyryletkussa (16).
- ◆ Liitä höyryletku (16) käsin pidettävään höyrypuhdistuslaitteeseen (5) ja vapauta höyryletkun vapautuspainike (16a) varmistaen, että se napsahtaa paikoilleen.

**Tärkeää!** Varmista, että höyryletku (16) on kiinnitetty tiukasti käsin pidettävään höyrypuhdistuslaitteeseen (5). Jos liitoksesta tulee höyryä, letku on asennettu oikein. Sammuta laite ja anna sen jäähtyä, irrota ja asenna letku sen jälkeen.

## Lisävarusteiden kiinnittäminen (kuva H)

- ◆ Kohdista höyrysuuttimessa (17) olevat korvakkeet lisävarusteessa oleviin syvennyksiin.
- ◆ Paina lisävaruste höyrysuuttimeen (17) ja kierrä lisävarustetta vastapäivään, kunnes se napsahtaa paikalleen.

**Tärkeää!** Kaikki sellaiset lisävarusteet, SteaMitt™ (25) -varustetta lukuun ottamatta, joissa on erillinen letku ja liitin (26), tulee liittää höyryletkuun (16) käyttöä varten.

## Letkun ja lisävarusteiden irrottaminen

**Varoitus!** Höyryletku (16), höyrysuutin (17) ja lisävarusteet kuumenevat käytön aikana. Anna laitteen ja kaikkien lisävarusteiden jäähtyä ennen niiden irrottamista.

## Lisävarusteen irrottaminen

- ◆ Kierrä lisävarustetta myötäpäivään ja vedä sitä letkusta (16) pois päin.

## Letkun irrottaminen

- ◆ Paina höyryletkussa (16) olevaa höyryletkun vapautuspainiketta (16a) ja vedä se irti käsin pidettävästä höyrytysyksiköstä.

## SteaMitt™

BLACK+DECKER™ SteaMitt™ on tarkoitettu laattojen, työtasojen sekä keittiön ja kylpyhuoneen pintojen puhdistamiseen ja desinfiointiin. Laite on tarkoitettu ainoastaan sisätiloissa tapahtuvaan kotitalouskäyttöön.

## SteaMitt™ -letkun liittäminen käsin pidettävään höyrytysyksikköön

**Varoitus!** Tarkista käsin pidettävän höyrypuhdistuslaitteen (5) ja SteaMitt™-letkun (26) välinen liittäntä ennen jokaista käyttökertaa. Jos sinetti on virheellinen tai se on vahingoittunut, ota yhteyttä lähimpään valtuutettuun huoltoliikkeeseen. Älä käytä laitetta.

- ◆ Paina SteaMitt™-letkun vapautuspainiketta SteaMitt™-letkussa (26).
- ◆ Liitä SteaMitt™-letku (26) käsin pidettävään höyrypuhdistuslaitteeseen (5) ja vapauta SteaMitt™-letkun vapautuspainike varmistaen, että se napsahtaa paikoilleen.

**Tärkeää!** Varmista, että SteaMitt™-letku (26) on kiinnitetty tiukasti käsin pidettävään höyrypuhdistuslaitteeseen (5). Jos liitoksesta tulee höyryä, letku on asennettu oikein. Sammuta laite ja anna sen jäähtyä, irrota ja asenna letku sen jälkeen.

## Puhdistuslevyn asentaminen SteaMitt™-laitteeseen (kuva L)

- ◆ Kiinnitä puhdistuslevy (27) SteaMitt™ (25) -laitteeseen kiinnittämällä puhdistuslevyn yläosassa olevien tarranauhojen (27a) 'silmutta' tarranauhojen (25a) 'koukkuun', joka on SteaMitt™ (4) -laitteen alaosassa. Paina lujasti.

**Varoitus!** SteaMitt™ -laitetta ei saa käyttää ilman puhdistuslevyä.

**Huomautus:** SteaMitt™ -laitteessa voidaan käyttää kolmenlaisia puhdistuslevyjä, joiden paksuus vaihtelee. Ohuinta levyä voidaan käyttää 3D-muottien (kuten hanojen) jne. puhdistamiseen. Paksumpia levyjä voidaan käyttää suurempien tasaisten alueiden puhdistamiseen.

- ⚠ **Varoitus!** Käytä aina SteaMitt™ -laitetta kuvan M mukaisesti pitäen kättä suojahanskan sisällä.
- ⚠ **Varoitus!** Älä koskaan yritä käyttää SteaMitt™ -laitetta tarttumalla siihen ulkoapäin kuvan F mukaisesti. Muutoin seurauksena on palovamma.
- ⚠ **Varoitus!** Vältä käyttämästä SteaMitt™ -laitetta tiukissa nurkissa kuvan O mukaisesti.
- ⚠ **Varoitus!** Jos käytön aikana esiintyy ongelmia, poista SteaMitt™ -laite nopeasti kädestä käyttäen pikavapautussalppaa kuvan P mukaisesti.
- ⚠ **Varoitus!** Älä käytä SteaMitt™ -laitetta kylmään lasiin (kuten ikkunoihin), sillä äkillinen lämpötilamuutos voi aiheuttaa vaurioita.
- ⚠ **Varoitus!** Älä koskaan kohdista tai suuntaa puhdistusalustaa itseesi tai muihin päin.

**Huomautus:** Muunneltava höyrysäädin kytkeytyy pois, kun SteaMitt™ asennetaan ja höyryn virtaus on tällöin rajoitettu.

## Käyttö

**Tärkeää!** Tämä laite tappaa 99,9 % bakteereista ja basilileista, kun sitä käytetään tämän oppaan ohjeiden mukaisesti 90 sekunnin ajan mikrokuivulevyt asennettuna.

## Käynnistäminen ja pysäyttäminen

- ◆ Kytke laite päälle painamalla virtakytkintä (1). Höyrymoppi lämpenee noin 15 sekunnissa.
- ◆ Kytke laite pois päältä painamalla virtakytkintä (1).

**Huomautus:** Pidä kättä aina SteaMitt™ -laitteen sisällä ennen kuin painat höyrytyspainiketta.

**Huomio!** Älä jätä höyrymoppia pidemmäksi ajaksi yhteen paikkaan.

Aseta höyrymoppi paikoilleen aina niin, että kahva (8) on pystyasennossa. Varmista, että höyrymopin virta on katkaistu, kun laite ei ole käytössä.

**Huomio!** Tyhjennä höyrymoppi aina käytön jälkeen.

**Huomautus!** Höyryn muodostuminen voi kestää 45 sekuntia ensimmäisen täytön tai kuivakäytön jälkeen.

## Autoselect™-teknologia (kuva R)

Tässä höyrymopissa on Autoselect™-säädin (2), joka näyttää eri puhdistusovellukset. Näiden avulla voidaan valita puhdistustehtävän kannalta oikea toimintatila.

Autoselect™-painikkeen avulla voidaan valita seuraavat sovellukset. Käännä Autoselect™-säädintä (2), kunnes haluttu asetus on valittuna.

Asetus	Moppi	Käsin pidettävä
	Puu/laminaatti	Korkean lämpötilan höyry ikkunoihin ●
	Kivi/marmori	● ●
	Laatta/vinyyli	Alhaisen lämpötilan höyry erittäin likaisiin kohteisiin ● ● ●

Höyrymoppi valitsee puhdistustehtävän kannalta oikean määrän höyryä.

**Huomautus:** Tarkista aina ennen höyrymopin käyttöä, että käytät oikeaa asetusta.

## Höyrytys (kuva C1) (käytettävissä vain malleissa FSMH1310SM, FSMH13151SM)

Lattiapäässä (12a) on höyrytyspoljin, joka helpottaa pinttyneiden tahrojen poistamista.

- ◆ Paina käytön aikana höyrytyspoljinta, jos tarvitset suurempaa puhdistustehoa.
- ◆ Voit palata takaisin normaaliin asetukseen painamalla poljinta uudelleen.

## Vinkkejä parhaimman tuloksen saavuttamiseksi

### Yleistä

**Huomio:** Älä koskaan käytä höyrymoppia ilman puhdistuslevyä.

- ◆ Muroi tai lakaise lattia aina ennen höyrymopin käyttöä.
- ◆ Helpoin tapa käyttää laitetta on kallistaa kahva 45 asteen kulmaan ja puhdistaa hitaasti pieni alue kerrallaan.
- ◆ Käytä höyrymopissa ainoastaan vettä. Älä käytä lisäaineita tai kemikaaleja. Vinyyli- tai linoleumilattioilla olevat pinttyneet tahrat voidaan poistaa käsittelemällä ne miedolla puhdistusaineella ja vedellä ennen höyrymopin käyttöä.

## Höyrypuhdistus mopin avulla

- ◆ Kiinnitä käsin pidettävä höyrypuhdistuslaite (5) höyrymopin runkoon (11).
- ◆ Aseta puhdistuslevy (13) lattialle niin, että tarranauhapuoli on ylöspäin.
- ◆ Paina höyrymoppi kevyesti puhdistuslevyn (13) päälle.
- ◆ Kytke höyrymoppi verkkovirtaan.

- ◆ Paina virtakytkintä (1). Höyrymoppi lämpenee noin 15 sekunnissa.
- ◆ Kierrä Autoselect™-säädintä (2), kunnes saavutat vaaditun asetuksen. Muutaman sekunnin kuluttua höyrytyspäästä alkaa nousta höyryä.

**Huomautus!** Höyryyn muodostuminen voi kestää 45 sekuntia ensimmäisen täyden tai kuivakäytön jälkeen.

- ◆ Kestää muutaman sekunnin, ennen kuin höyry pääsee puhdistuslevyyn. Höyrymoppi liikuu nyt kevyesti puhdistettavan tai desinfioitavan pinnan yli.
- ◆ Puhdista pinta perusteellisesti liikuttamalla höyrymoppia hitaasti työntämällä ja vetämällä.
- ◆ Aseta kahva (8) takaisin pystyasentoon höyrymopin käytön jälkeen varmistaen, että se on tuettuna. Katkaise laitteen virta. Odota, kunnes höyrymoppi on jäähtynyt (noin viisi minuuttia).

**Huomio!** On tärkeää valvoa vesisäiliössä olevan veden määrää. Jos haluat täyttää vesisäiliön ja jatkaa puhdistamista tai desinfiointia, aseta moppi pystyasentoon ja varmista, että kahva on tuettuna, katkaise höyrymopin virta. Irrota laite pistorasiasta ja täytä vesisäiliö.

**Huomio!** Älä jätä höyrymoppia pidemmäksi ajaksi yhteen paikkaan. Aseta höyrymoppi paikoilleen aina niin, että kahva (8) on pystyasennossa. Varmista, että höyrymopin virta on katkaistu, kun laite ei ole käytössä.

## Mattojen siistiminen

- ◆ Aseta puhdistuslevy (13) lattialle niin, että silmukkapuoli on ylöspäin.
- ◆ Paina höyrymoppi kevyesti puhdistuslevyn päälle.
- ◆ Aseta mattokappale (12b) lattialle.
- ◆ Paina höyrymoppi kevyesti mattokappaleen päälle niin, että se napsahtaa paikalleen.
- ◆ Kytke höyrymoppi verkkovirtaan.
- ◆ Paina virtakytkintä (1). Höyrymoppi lämpenee noin 15 sekunnissa.
- ◆ Kierrä Autoselect™-säädin (2) Puu/laminaatti-asetuksen kohdalle.
- ◆ Siisti matto perusteellisesti liikuttamalla höyrymoppia hitaasti työntämällä ja vetämällä.
- ◆ Aseta kahva (8) takaisin pystyasentoon höyrymopin käytön jälkeen ja katkaise laitteesta virta. Odota, kunnes höyrymoppi on jäähtynyt (noin viisi minuuttia).

## Käytön jälkeen

- ◆ Kierrä Autoselect™-säädin (2) pois päältä.
- ◆ Odota, kunnes höyrymoppi on jäähtynyt.
- ◆ Irrota höyrymoppi pistorasiasta.
- ◆ Tyhjennä vesisäiliö.
- ◆ Poista puhdistuslevy (13) ja pese se valmiiksi seuraavaa käyttökertaa varten (noudata puhdistuslevyyn painettuja pesuohjeita).
- ◆ Kiedo virtajohto johtokoukujen (7 ja 9) ympärille.

- ◆ Kädensijassa (6) on ripustuspideke (15), jonka avulla höyrymoppi voidaan ripustaa seinällä olevaan koukkuun. Varmista aina, että seinäkoukku pystyy kantamaan höyrymopin painon turvallisesti.

### Puhdistaminen käsin pidettävän höyrypuhdistuslaitteen avulla

**Varoitus!** Laite ei tuote höyryä, ellei sitä ole liitetty päärunkoon (11) tai jos höyryletkua (16) ei ole asennettu.

**Varoitus!** Käytä ainoastaan vaaka-asennossa.

- ◆ Kiinnitä tarvittava lisävaruste.
- ◆ Kytke käsin pidettävä höyrypuhdistuslaite pistorasiaan.
- ◆ Paina virtakytkintä (1). Höyrymoppi lämpenee noin 15 sekunnissa.
- ◆ Kierrä Autoselect™-säädintä (2), kunnes saavutat vaaditun asetuksen. Muutaman sekunnin kuluttua höyrytyspäästä alkaa nousta höyryä.

**Huomautus!** Höyryn muodostuminen voi kestää 45 sekuntia ensimmäisen täytön tai kuivakäytön jälkeen.

- ◆ Kun olet lopettanut käsin pidettävän höyrypuhdistuslaitteen käytön, käännä Autoselect™-säädin (2) pois päältä. Kytke laite pois päältä painamalla virtapainiketta (1) ja irrota se pistorasiasta. Odota, että laite jäähtyy ennen sen asettamista säilöön (noin viisi minuuttia).

### Lisävarusteet

Laitteen suorituskyky riippuu käytetystä lisävarusteesta. Korkealaatuiset BLACK+DECKER-lisävarusteet on suunniteltu parantamaan laitteen suorituskykyä. Käyttämällä näitä lisävarusteita saat laitteestasi parhaan hyödyn.

### Tekniset tiedot

FSMH1321		
Jännite	V <sub>ac</sub>	230
Virta	W	1300
Säiliön tilavuus	ml	500
Paino	kg	2,7
FSMH1351SM		
Jännite	V <sub>ac</sub>	230
Virta	W	1300
Säiliön tilavuus	ml	500
Paino	kg	2,7
FSMH13101SM		
Jännite	V <sub>ac</sub>	230
Virta	W	1300
Säiliön tilavuus	ml	500
Paino	kg	2,8
FSMH13151SM		
Jännite	V <sub>ac</sub>	230
Virta	W	1300
Säiliön tilavuus	ml	500
Paino	kg	2,8
FSMH1321J		
Jännite	V <sub>ac</sub>	230
Virta	W	1300
Säiliön tilavuus	ml	500
Paino	kg	2,7
FSMH1321JSM		
Jännite	V <sub>ac</sub>	230
Virta	W	1300
Säiliön tilavuus	ml	500
Paino	kg	2,8
FSMH1321JMD		
Jännite	V <sub>ac</sub>	230
Virta	W	1300
Säiliön tilavuus	ml	500
Paino	kg	2,8

### Vianetsintä

Jos laite ei näytä toimivan oikein, noudata seuraavia ohjeita. Jos tämä ei auta, ota yhteys paikalliseen BLACK+DECKER-huoltoliikkeeseen.



Ongelma	Vaihe	Mahdollinen ratkaisu
Höyrymoppia ei ole kytketty päälle	1.	Tarkista, että laite on kytketty pistorasiaan.
	2.	Tarkista, että laite on kytketty päälle virtakytkimestä (1)
	3.	Tarkista pistokkeen sulake.
Höyrymoppi ei tuota höyryä	4.	Höyrymoppi tuottaa höyryä vain silloin, kun käsin pidettävä höyrypuhdistuslaite (5) on asennettu oikein päärunkoon (11) tai höyryletku on liitetty tai Autoselect™ on kytketty päälle.
	5.	Tarkista, että vesisäiliö on täysi. Huomautus: Höyryn muodostuminen voi kestää 45 sekuntia ensimmäisen täytön tai kuivakäytön jälkeen.
	6.	Tarkista kohta 1, 2 ja 3.
Höyrymoppi lakkaa tuottamasta höyryä käytön aikana	7.	Tarkista kohta 4, 5 ja 3.
Höyrymoppi tuottaa liian paljon höyryä käytön aikana	8.	Käännä Autoselect™-säädintä (2) vastapäivään höyrytystehon laskemiseksi.
Höyrymoppi tuottaa liian vähän höyryä käytön aikana	9.	Käännä Autoselect™-säädintä (2) myötäpäivään höyrytystehon lisäämiseksi.
Käsin pidettävä höyrypuhdistuslaite ei tuota höyryä	10.	Tarkista, että Autoselect™-säädin (2) on kytketty päälle.
	11.	Tarkista kohta 5 ja sen jälkeen 1, 2 ja 3.
Käsin pidettävä höyrypuhdistuslaite tuottaa liian vähän höyryä käytön aikana	12.	Käännä Autoselect™-säädintä (2) myötäpäivään höyrytystehon lisäämiseksi.
	13.	Tarkista kohta 5
Käsin pidettävä höyrypuhdistuslaite tuottaa liian paljon höyryä käytön aikana	14.	Käännä Autoselect™-säädintä (2) vastapäivään höyrytystehon laskemiseksi.
Lisävarusteet irtoavat laitteesta	15.	Katso laitteen osien ja lisävarusteiden asennusohjeet asennuskappaleesta.
Höyryä tulee odottamattomista kohtaa laitetta	16.	Katso laitteen osien ja lisävarusteiden asennusohjeet asennuskappaleesta.
Lisätietoa ja lisävarusteita	17.	<a href="http://www.blackanddecker.co.uk/steam mop">www.blackanddecker.co.uk/steam mop</a> <a href="http://www.blackanddecker.ie/steam mop">www.blackanddecker.ie/steam mop</a>

## Οδηγίες ασφαλείας



**Προειδοποίηση! Διαβάστε προσεκτικά όλο το εγχειρίδιο “Ασφάλεια, Συντήρηση, Σέρβις” πριν χρησιμοποιήσετε αυτή τη συσκευή. Διαβάστε προσεκτικά όλο το περιεχόμενο αυτού του εγχειριδίου πριν χρησιμοποιήσετε αυτήν τη συσκευή.**

## Ετικέτες πάνω στη συσκευή

Τα ακόλουθα εικονογράμματα μαζί με τον κωδικό δεδομένων εμφανίζονται πάνω στη συσκευή.



**ΠΡΟΣΟΧΗ** Καυτός ατμός



Στάζει νερό όταν χρησιμοποιείται ανάποδα



Διαφεύγει ατμός από όλες τις πλευρές



Μην αφήνετε το εργαλείο χωρίς επιτήρηση κοντά σε μικρά παιδιά



Πλένονται με τα χέρια

## ΕΛΛΗΝΙΚΑ

(Μετάφραση των πρωτότυπων οδηγιών)

## Προβλεπόμενη χρήση

Η ηλεκτρικές σκούπες ατμού της BLACK+DECKER™, FSMH1321, FSMH13515M, FSMH13101SM, FSMH131515M, FSMH1321J, FSMH1321JSM, FSMH1321JMD, έχουν σχεδιαστεί για την απολύμανση και τον καθαρισμό στεγανοποιημένου σκληρού ξύλου, στεγανοποιημένου πολυστρωματικού υλικού (λαμινέ), λινοτάπητα, βινυλίου, κεραμικών πλακιδίων, πέτρας και μαρμάρου. Η συσκευή αυτή προορίζεται μόνο για εσωτερική οικιακή χρήση.

## Χαρακτηριστικά

Η συσκευή αυτή διαθέτει μερικά ή όλα από τα παρακάτω χαρακτηριστικά.

1. Διακόπτης ενεργοποίησης/ απενεργοποίησης (on/off)
2. Περιστροφικό χειριστήριο Autoselect™
3. Λαβή μονάδας ατμού χειρός
4. Τάπα πλήρωσης
5. Μονάδα ατμού χειρός
6. Λαβή
7. Άνω άγκιστρο τακτοποίησης καλωδίου
8. Κύρια λαβή
9. Κάτω άγκιστρο τακτοποίησης καλωδίου
10. Κομπιτί απελευθέρωσης μονάδας ατμού χειρός
11. Κυρίως σώμα
12. Κεφαλή καθαρισμού δαπέδου
- 12a. Κεφαλή καθαρισμού δαπέδου με ριπή ατμού
- 12b. Εξάρτημα χαλιών (για χρήση σε χαλιά)

13. Εξάρτημα καθαρισμού δαπέδου
14. Προεξοχή απελευθέρωσης εξαρτήματος καθαρισμού δαπέδου
15. Στήριγμα ανάρτησης
16. Εύκαμπτος σωλήνας ατμού
17. Ακροφύσιο ατμού
18. Γωνιακό αξεσουάρ βούρτσας (για χρήση σε επίμονους λεκέδες)
19. Αξεσουάρ βούρτσας (για χρήση σε πλακάκια / αρμούς)
20. Αξεσουάρ μάκτρου (για χρήση σε καμπίνες ντους / τζάμια / καθρέφτες / ρούχα / ταπεταρίες επίπλων)
- 20a. Επένδυση μάκτρου
21. Αξεσουάρ μεγάλου μάκτρου (για χρήση σε καμπίνες ντους / τζάμια / καθρέφτες / ρούχα / ταπεταρίες επίπλων)
- 21a. Επένδυση μεγάλου μάκτρου
22. Μονάδα βούρτσας με ριπή ατμού
- 22a. Συρματόβουρτσα με ριπή ατμού ( για χρήση σε BBQ / φούρνους)
- 22b. Βούρτσα με ριπή ατμού ( για χρήση σε BBQ / φούρνους / εστίες φούρνου / βρύσες / αρμούς πλακιδίων)
- 22c. Πλατιά βούρτσα με ριπή ατμού (για χρήση σε μεγάλες επιφάνειες)
23. Κεφαλή δέλτα (για χρήση σε ρούχα / ταπεταρίες επίπλων/ σχετικά μεγάλες επιφάνειες)
- 23a. Εξάρτημα καθαρισμού επίπεδων επιφανειών
- 23b. Διασύνδεση ατμισμού ρούχων (για χρήση σε ρούχα / ταπεταρίες επίπλων)
- 23c. Βούρτσα ατμισμού ρούχων (για χρήση σε ρούχα / ταπεταρίες επίπλων)
- 23d. Εξάρτημα ατμισμού ρούχων (για χρήση σε ρούχα / ταπεταρίες επίπλων)
24. Εξάρτημα ατμοκαθαριστή για υφάσματα και ρούχα (για χρήση σε ρούχα / ταπεταρίες επίπλων)
25. SteaMitt™
26. Εύκαμπτος σωλήνας SteaMitt™
27. Εξάρτημα καθαρισμού για SteaMitt™
28. Ρυθμιζόμενο ακροφύσιο

## Διαμόρφωση

	F S M H 1 3 2 1	F S M H 1 3 5 1 S M	F S H 1 3 1 0 1 S M	F S M H 1 3 1 5 1 S M	F S M H 1 3 1 5 1 S M	F S M H 1 3 2 1 J	F S M H 1 3 2 1 J S M	F S M H 1 3 2 1 J M D	S E T T I N G S
12	✓	✓	✓	✓	✓	✓	✓	✓	Όλα
12a			✓	✓	✓	✓	✓	✓	Όλα
12b				✓	✓	✓	✓	✓	Όλα
13	✓	✓	✓	✓	✓	✓	✓	✓	Όλα
16	✓	✓	✓	✓	✓	✓	✓	✓	Όλα
18	✓	✓		✓	✓	✓	✓	✓	●
19	✓	✓	✓			✓	✓	✓	● ● ●
20	✓	✓	✓	✓	✓	✓	✓	✓	●
20a	✓	✓	✓	✓	✓	✓	✓	✓	●
21									●
21a									●
22				✓	✓				Όλα
22a				✓	✓				Όλα
22b				✓	✓				Όλα
22c				✓	✓				Όλα
23									Όλα
23a									Όλα
23b									●
23c									●
23d									●
24									●
25				✓	✓				X/E
28					✓				ΟΛΑ

## Συναρμολόγηση



**Προειδοποίηση!** Πριν επιχειρήσετε οποιαδήποτε από τις παρακάτω οδηγίες, βεβαιωθείτε ότι η συσκευή είναι απενεργοποιημένη, έχει αποσυνδεθεί από την πρίζα, είναι κρύα και δεν περιέχει καθόλου νερό.

### Τοποθέτηση της λαβής (Εικ. Α)

- ♦ Εισάγετε το κάτω άκρο της λαβής (8) στο άνω άκρο του σώματος της ηλεκτρικής σκούπας ατμού (11) μέχρι να κουμπώσει στη θέση του.

**Σύνδεση του ατμοκαθαριστή χειρός (Εικ. Β)**

- ◆ Κρατώντας το πίσω μέρος του σώματος της ηλεκτρικής σκούπας ατμού (11) απλώστε τον ατμοκαθαριστή χειρός (5) σταθερά μέσα στο σώμα (11) της ηλεκτρικής σκούπας ατμού και βεβαιωθείτε ότι εδράζεται σωστά πάνω από τη διασύνδεση (11a) και ασφαλίξει στη θέση του με χαρακτηριστικό ήχο κλικ.

**Αφαίρεση του ατμοκαθαριστή χειρός (Εικ. Β)**

- ◆ Πατήστε το κουμπί απελευθέρωσης (10) στο κυρίως σώμα (11) και ανιψώστε το καθαριστικό ατμού χειρός (5) από τη διασύνδεση (11a) απομακρυνόντάς το από το κυρίως σώμα (11).

**Τοποθέτηση του εξαρτήματος καθαρισμού (Εικ. C)**

Αναλλακτικά εξαρτήματα καθαρισμού διατίθενται από τα εμπορικά σημεία πώλησης προϊόντων BLACK+DECKER: (αριθ. κατ. FSM20-XJ).

- ◆ Τοποθετήστε ένα εξάρτημα καθαρισμού (13) στο δάπεδο με την πλευρά με τις θηλιές νελο στο στραμμένη προς τα πάνω.
- ◆ Πιέστε ελαφρά την ηλεκτρική σκούπα ατμού πάνω στο εξάρτημα καθαρισμού (13).

**Σημείωση:** Αυτή η μονάδα μπορεί να εξοπλιστεί με μια κανονική κεφαλή καθαρισμού δαπέδων (12) ή με μια κεφαλή καθαρισμού με ριπή ατμού (12a). Και στις δύο περιπτώσεις χρησιμοποιήστε αυτές τις οδηγίες για να τοποθετήσετε ένα εξάρτημα καθαρισμού.

**Προσοχή!** Μην αφήνετε ποτέ την ηλεκτρική σκούπα ατμού στο ίδιο σημείο σε οποιαδήποτε επιφάνεια για οποιοδήποτε χρονικό διάστημα. Πάντοτε τοποθετείτε την ηλεκτρική σκούπα ατμού με τη λαβή (8) υποστηριζόμενη σε όρθια θέση όταν είναι σε στάση και βεβαιωθείτε ότι η ηλεκτρική σκούπα ατμού είναι απενεργοποιημένη όταν δε χρησιμοποιείται.

**Αφαίρεση ενός εξαρτήματος καθαρισμού**

**Προσοχή!** Να φοράτε πάντοτε κατάλληλα παπούτσια όταν αλλάζετε το εξάρτημα καθαρισμού στην ηλεκτρική σκούπα ατμού.

Μη φοράτε παντόφλες ή υποδήματα που αφήνουν τα δάχτυλα ακάλυπτα.

- ◆ Επαναφέρετε τη λαβή (8) σε όρθια θέση και απενεργοποιήστε την ηλεκτρική σκούπα ατμού.
- ◆ Περιμένετε να κρυώσει η ηλεκτρική σκούπα ατμού (περίπου 5 λεπτά).
- ◆ Ανασηκώστε την ηλεκτρική σκούπα ατμού και απομακρυνέτε την από το εξάρτημα καθαρισμού ελευθερώνοντας την από τη σύνδεση με το νελο.

**Προσοχή!** Μην αφήνετε ποτέ την ηλεκτρική σκούπα ατμού στο ίδιο σημείο σε οποιαδήποτε επιφάνεια για οποιοδήποτε χρονικό διάστημα.

Πάντοτε τοποθετείτε την ηλεκτρική σκούπα ατμού με τη λαβή (8) υποστηριζόμενη σε όρθια θέση όταν είναι σε στάση και βεβαιωθείτε ότι η ηλεκτρική σκούπα ατμού είναι απενεργοποιημένη όταν δε χρησιμοποιείται.

**Γέμισμα του δοχείου νερού (Εικ. Q)**

**Σημείωση!** Γεμίστε το δοχείο νερού με καθαρό νερό βρύσης (μη χρησιμοποιείτε πρόσθετα ή χημικά).

**Σημείωση!** Σε περιοχές με σκληρό νερό, συνιστάται η χρήση απιονισμένου νερού.

- ◆ Ανοίξτε την τάπα πλήρωσης (4) ανασηκωνόντάς την.
- ◆ Γεμίστε το δοχείο νερού με νερό (μη χρησιμοποιείτε πρόσθετα ή χημικά).

**Προειδοποίηση!** Κατά το γέμισμα, αποσυνδέστε το από την κύρια μονάδα και διατηρήστε το σε οριζόντια θέση.

**Προειδοποίηση!** Το δοχείο νερού έχει χωρητικότητα 0,5 λίτρων. Μη γεμίζετε υπερβολικά το δοχείο.

- ◆ Κλείστε την τάπα πλήρωσης (4).

**Σημείωση!** Βεβαιωθείτε ότι η τάπα πλήρωσης έχει κλείσει με ασφάλεια.

**Σύνδεση του εξαρτήματος χαλιών (12b) (Για χρήση σε χαλιά μόνο)**

- ◆ Τοποθετήστε το εξάρτημα χαλιών (12b) στο δάπεδο.
- ◆ Συνδέστε ένα εξάρτημα καθαρισμού στην κεφαλή καθαρισμού δαπέδου (12)
- ◆ Πιέστε ελαφρά την ηλεκτρική σκούπα ατμού πάνω στο εξάρτημα χαλιών (12b) μέχρι να ασφαλίσει με χαρακτηριστικό ήχο κλικ.

**Προσοχή!** Μην αφήνετε ποτέ την ηλεκτρική σκούπα ατμού στο ίδιο σημείο σε οποιαδήποτε επιφάνεια για οποιοδήποτε χρονικό διάστημα. Πάντοτε τοποθετείτε την ηλεκτρική σκούπα ατμού με τη λαβή (8) υποστηριζόμενη σε όρθια θέση όταν είναι σε στάση και βεβαιωθείτε ότι η ηλεκτρική σκούπα ατμού είναι απενεργοποιημένη όταν δε χρησιμοποιείται.

**Αφαίρεση του εξαρτήματος χαλιών**

**Προσοχή!** Να φοράτε πάντα κατάλληλα παπούτσια, όταν αλλάζετε το εξάρτημα χαλιών στην ηλεκτρική σκούπα ατμού. Μη φοράτε παντόφλες ή υποδήματα που αφήνουν τα δάχτυλα ακάλυπτα.

- ◆ Επαναφέρετε τη λαβή (8) σε όρθια θέση και απενεργοποιήστε την ηλεκτρική σκούπα ατμού.
- ◆ Περιμένετε να κρυώσει η ηλεκτρική σκούπα ατμού (περίπου 5 λεπτά).
- ◆ Τοποθετήστε το εμπρός μέρος του παπουτσιού σας επάνω στην προεξοχή αφαίρεσης του εξαρτήματος χαλιών και πιέστε κάτω δυνατά.
- ◆ Ανιψώστε την ηλεκτρική σκούπα ατμού από το εξάρτημα χαλιών.

**Προσοχή!** Μην αφήνετε ποτέ την ηλεκτρική σκούπα ατμού στο ίδιο σημείο σε οποιαδήποτε επιφάνεια για οποιοδήποτε χρονικό διάστημα. Πάντοτε τοποθετείτε την ηλεκτρική σκούπα ατμού με τη λαβή (8) υποστηριζόμενη σε όρθια θέση όταν είναι σε στάση και βεβαιωθείτε ότι η ηλεκτρική σκούπα ατμού είναι απενεργοποιημένη όταν δε χρησιμοποιείται.

**Σύνδεση του εύκαμπτου σωλήνα και των αξεσουάρ στον ατμοκαθαριστή χειρός (Εικ. G - O)**

**Προειδοποίηση!** Πριν από κάθε χρήση, επιθεωρήστε το παρέμβυσμα ανάμεσα στο σημείο σύνδεσης στον ατμοκαθαριστή χειρός (5) και στον εύκαμπο σωλήνα ατμού (16). Αν το παρέμβυσμα δεν λειτουργεί σωστά ή παρουσιάζει ζημιές, επικοινωνήστε με το πλησιέστερό σας εξουσιοδοτημένο κέντρο επισκευών. Μη χρησιμοποιείτε τη συσκευή.

**Σύνδεση του εύκαμπτου σωλήνα**

- ◆ Πατήστε το κουμπί απελευθέρωσης (16a) του εύκαμπτου σωλήνα ατμού που βρίσκεται πάνω στον εύκαμπο σωλήνα ατμού (16).
- ◆ Συνδέστε τον εύκαμπο σωλήνα ατμού (16) στο καθαριστικό ατμού χειρός (5) και απελευθερώστε το κουμπί απελευθέρωσης (16a) του εύκαμπτου σωλήνα ατμού αφού βεβαιωθείτε ότι κομπώνει στη θέση του με χαρακτηριστικό ήχο κλικ.

**Σημαντικό!** Βεβαιωθείτε ότι ο εύκαμπος σωλήνας ατμού (16) έχει συνδεθεί με ασφάλεια στον ατμοκαθαριστή χειρός (5). Αν διαφεύγει ατμός από το σημείο ένωσης, ο εύκαμπος σωλήνας έχει τοποθετηθεί λανθασμένα. Απενεργοποιήστε τη μονάδα, αφήστε τη να κρυώσει και κατόπιν αφαιρέστε και επανατοποθετήστε τον εύκαμπο σωλήνα.

**Σύνδεση αξεσουάρ (Εικ. Η)**

- ◆ Ευθυγραμμίστε τις προεξοχές στο ακροφύσιο ατμού (17) με τις εσοχές στο αξεσουάρ.
- ◆ Πιέστε το αξεσουάρ πάνω στο ακροφύσιο ατμού (17) και περιστρέψτε αριστερόστροφα, έως ότου το αξεσουάρ ασφαλίσει με χαρακτηριστικό ήχο κλικ.

**Σημαντικό!** Όλα τα αξεσουάρ, εκτός από το SteaMitt™ (25) το οποίο έχει το δικό του εύκαμπο σωλήνα και σύνδεσμο (26), πρέπει να συνδεθούν στον εύκαμπο σωλήνα ατμού (16) για να χρησιμοποιηθούν.

**Αφαίρεση του εύκαμπτου σωλήνα και των αξεσουάρ**

**Προειδοποίηση!** Ο εύκαμπος σωλήνας ατμού (16), το ακροφύσιο ατμού (17) και τα αξεσουάρ αποκτούν υψηλή θερμοκρασία κατά τη χρήση. Αφήστε τη συσκευή και όλα τα αξεσουάρ να κρυώσουν πριν επιχειρήσετε να αφαιρέσετε οτιδήποτε.

**Αφαίρεση ενός αξεσουάρ**

- ◆ Περιστρέψτε το αξεσουάρ δεξιόστροφα και μετά τραβήξτε το από τον εύκαμπο σωλήνα (16).

**Αφαίρεση του εύκαμπτου σωλήνα**

- ◆ Πατήστε το κουμπί απελευθέρωσης (16α) του εύκαμπτου σωλήνα ατμού που είναι πάνω στον εύκαμπο σωλήνα ατμού (16) και τραβήξτε τον για να τον αφαιρέσετε από τη μονάδα ατμού χειρός.

**SteaMitt™**

Το BLACK+DECKER™ SteaMitt™ έχει σχεδιαστεί για την απολύμανση και τον καθαρισμό πλακιδίων, επιφανειών εργασίας, επιφανειών κουζίνας και επιφανειών μπάνιου. Η συσκευή αυτή προορίζεται μόνο για εσωτερική οικιακή χρήση.

**Σύνδεση του εύκαμπτου σωλήνα SteaMitt™ στη μονάδα ατμού χειρός**

**Προειδοποίηση!** Πριν από κάθε χρήση, επιθεωρήστε το παρέμβυσμα ανάμεσα στο σημείο σύνδεσης στον ατμοκαθαριστή χειρός (5) και στον εύκαμπο σωλήνα (26) του SteaMitt™. Αν το παρέμβυσμα δεν λειτουργεί σωστά ή παρουσιάζει ζημιές, επικοινωνήστε με το πλησιέστερό σας εξουσιοδοτημένο κέντρο επισκευών. Μην χρησιμοποιείτε τη συσκευή.

- ◆ Πατήστε το κουμπί απελευθέρωσης εύκαμπτου σωλήνα του SteaMitt™ που βρίσκεται πάνω στον εύκαμπο σωλήνα (26) του SteaMitt™.
- ◆ Συνδέστε τον εύκαμπο σωλήνα (26) του SteaMitt™ στο καθαριστικό ατμού χειρός (5) και απελευθερώστε το κουμπί απελευθέρωσης του εύκαμπτου σωλήνα του SteaMitt™ αφού βεβαιωθείτε ότι κομπιώνει στη θέση του με χαρακτηριστικό ήχο κλικ.

**Σημαντικό!** Βεβαιωθείτε ότι ο εύκαμπος σωλήνας (26) του SteaMitt™ έχει συνδεθεί με ασφάλεια στον ατμοκαθαριστή χειρός (5).

Αν διαφεύγει ατμός από το σημείο ένωσης, ο εύκαμπος σωλήνας έχει τοποθετηθεί λανθασμένα. Απενεργοποιήστε τη μονάδα, αφήστε τη να κρυώσει και κατόπιν αφαιρέστε και επανατοποθετήστε τον εύκαμπο σωλήνα.

**Τοποθέτηση ενός εξαρτήματος καθαρισμού στο SteaMitt™ (Εικ. Λ)**

- ◆ Τοποθετήστε το εξάρτημα καθαρισμού (27) στο SteaMitt™ (25) συνδέοντας τις ταινίες velcro με τις θηλές (27α) στην πάνω πλευρά του εξαρτήματος καθαρισμού, στις επιφάνειες velcro με τα άγκιστρα (25α) στην κάτω πλευρά του SteaMitt™ (4). Πιέστε προς τα κάτω σταθερά.

**Προειδοποίηση!** Το SteaMitt™ δεν πρέπει να χρησιμοποιείται χωρίς να έχει τοποθετηθεί ένα εξάρτημα καθαρισμού.

**Σημείωση:** Το SteaMitt™ μπορεί να δεχτεί 3 τύπους εξαρτημάτων καθαρισμού με διαφορετικά πάχη. Το πιο λεπτό μπορεί να χρησιμοποιηθεί για τον καθαρισμό επιφανειών σε 3 διαστάσεις όπως βρύσες κλπ.

Οι εκδόσεις μεγαλύτερου πάχους μπορούν να χρησιμοποιηθούν για μεγαλύτερες και επίπεδες επιφάνειες.

⚠ Προειδοποίηση! Πάντα χρησιμοποιείτε το SteaMitt™ όπως δείχνει η εικόνα Μ, με το χέρι σας μέσα στο προστατευτικό γάντι.

⚠ Προειδοποίηση! Ποτέ μην επιχειρήσετε χρήση του SteaMitt™ πιάνοντάς το εξωτερικά όπως δείχνει η εικόνα Ν. Αν το κάνετε, θα καίτε.

⚠ Προειδοποίηση! Αποφεύγετε τη χρήση του SteaMitt™ σε απότομες γωνίες όπως δείχνει η εικόνα Ο.

⚠ Προειδοποίηση! Σε περίπτωση που προκύψει κάποιο πρόβλημα κατά τη χρήση, χρησιμοποιήστε την προεχρή ταχείας απασφάλισης για να αφαιρέσετε γρήγορα το SteaMitt™ από το χέρι σας όπως δείχνει η εικόνα Ρ.

⚠ Προειδοποίηση! Μην χρησιμοποιείτε το SteaMitt™ πάνω σε κρύο υαλί, όπως σε παράθυρα, γιατί μπορεί να προκληθεί ζημιά από την απότομη αλλαγή θερμοκρασίας.

⚠ Προειδοποίηση! Ποτέ μην κατευθύνετε το γάντι προς τον εαυτό σας ή οποιοδήποτε άλλο άτομο.

**Σημείωση:** Ο περιστροφικός ρυθμιστής ατμού είναι απασυνδεδεμένος όταν έχει τοποθετηθεί το SteaMitt™ και επομένως η ροή του ατμού είναι περιορισμένη.

**Χρήση**

**Σημαντικό!** Αυτή η συσκευή σκοτώνει το 99,9% των βακτηριδίων και των μικροβίων, όταν χρησιμοποιείται σύμφωνα με τις οδηγίες σε αυτό το εγχειρίδιο και με τοποθετημένο το εξάρτημα μικροκίων και με συνεχή χρόνο λειτουργίας 90 δευτερολέπτα.

**Ενεργοποίηση και απενεργοποίηση**

- ◆ Για να ενεργοποιήσετε τη συσκευή, πατήστε το διακόπτη ON/OFF (1). Για να ζεσταθεί η ηλεκτρική σκούπα ατμού, χρειάζονται περίπου 15 δευτερόλεπτα.
- ◆ Για να απενεργοποιήσετε τη συσκευή, πατήστε το διακόπτη ON/OFF (1).

**Σημείωση:** Πάντα να έχετε το χέρι σας μέσα στο SteaMitt™ πριν πατήσετε το κουμπί ατμού.

**Προσοχή!** Μην αφήνετε ποτέ την ηλεκτρική σκούπα ατμού στο ίδιο σημείο σε οποιαδήποτε επιφάνεια για οποιοδήποτε χρονικό διάστημα.

Πάντοτε τοποθετείτε την ηλεκτρική σκούπα ατμού με τη λαβή (8) υποστηριζόμενη σε όρθια θέση όταν είναι σε στάση και βεβαιωθείτε ότι η ηλεκτρική σκούπα ατμού είναι απενεργοποιημένη όταν δε χρησιμοποιείται.

**Προσοχή!** Αδειάζετε πάντα την ηλεκτρική σκούπα ατμού μετά τη χρήση.

**Σημείωση!** Κατά την πρώτη πλήρωση ή μετά την ξηρή λειτουργία, μπορεί να χρειαστούν μέχρι και 45 δευτερόλεπτα για την παραγωγή ατμού.

**Τεχνολογία Autoselect™ (Εικ. Ρ)**

Αυτή η ηλεκτρική σκούπα ατμού είναι εξοπλισμένη με ένα περιστροφικό χειριστήριο Autoselect™ (2) που δείχνει διάφορες εφαρμογές καθαρισμού. Χρησιμοποιούνται για την επιλογή του σωστού τρόπου λειτουργίας για τη δική σας εργασία καθαρισμού.

Κατά τη χρήση του Autoselect™, επιλέξτε μια από τις παρακάτω εφαρμογές γυρίζοντας το περιστροφικό χειριστήριο Autoselect™ (2) μέχρι να επιλεχθεί η απαιτούμενη ρύθμιση.

Ρύθμιση	Σκούπα ατμού	Συσκευή χειρός
	Ξύλο/Πολυστρωματικό υλικό (λαμινέ)	Ατμός υψηλής θερμοκρασίας για παράθυρα ●
	Πέτρα/Μάρμαρο	● ●
	Πλακάκια/Βινύλιο	Ατμός χαμηλής θερμοκρασίας για σκληρή βρωμιά ● ● ●

Η ηλεκτρική σκούπα ατμού θα επιλέξει τη σωστή ποσότητα ατμού που απαιτείται για τη συγκεκριμένη εργασία καθαρισμού σας.

**Σημείωση:** Ελέγχετε πάντα ότι χρησιμοποιείτε τη σωστή ρύθμιση πριν χρησιμοποιήσετε την ηλεκτρική σκούπα ατμού σας.

### Ριπή ατμού (Εικ. C1) (διατίθεται μόνο με τις μονάδες FSMH1310SM, FSMH13151SM)

Η κεφαλή δαπέδων (12a) είναι εξοπλισμένη με ένα πεντάλι ριπής ατμού, για να βοηθά στην αφαίρεση επίμονων σημaziών και κηλίδων.

- Κατά τη χρήση, πατήστε το πεντάλι ριπής ατμού για μεγαλύτερη καθαριστική δύναμη.
- Για επιστροφή στην κανονική ρύθμιση, πατήστε πάλι το πεντάλι.

### Συμβουλές για βέλτιστη χρήση

#### Γενικά

**ΠΡΟΣΟΧΗ:** Μη χρησιμοποιείτε ποτέ την ηλεκτρική σκούπα ατμού χωρίς να έχετε πρώτα τοποθετήσει ένα εξάρτημα καθαρισμού.

- Πάντα καθαρίζετε με ηλεκτρική σκούπα ή σκουπίζετε το δάπεδο πριν τη χρήση της ηλεκτρικής σκούπας ατμού.
- Ο ευκολότερος τρόπος χρήσης της συσκευής είναι να νείρετε τη λαβή σε γωνία 45° και να καθαρίζετε αργά, καλύπτοντας μια μικρή περιοχή κάθε φορά.
- Με την ηλεκτρική σκούπα ατμού χρησιμοποιείτε μόνο νερό, χωρίς πρόσθετα ή χημικά.  
Για να αφαιρέσετε επίμονους λεκέδες από δάπεδα βινυλίου ή λινόταπη, μπορείτε να τους προ-επεξεργαστείτε με ένα ήπιο απορρυπαντικό και λίγο νερό πριν από τη χρήση της ηλεκτρικής σκούπας ατμού.

### Καθαρισμός με ατμό με την ηλεκτρική σκούπα ατμού

- Τοποθετήστε τον ατμοκαθαριστή χειρός (5) στο σώμα της ηλεκτρικής σκούπας ατμού (11)
- Τοποθετήστε ένα εξάρτημα καθαρισμού (13) στο δάπεδο με την πλευρά με τις θηλείες νελο στο στραμμένη προς τα πάνω.
- Πιέστε ελαφρά την ηλεκτρική σκούπα ατμού πάνω στο εξάρτημα καθαρισμού (13).
- Συνδέστε την ηλεκτρική σκούπα ατμού στο ρεύμα δικτύου.

- Πατήστε το κουμπι ON/OFF (1). Για να ζεσταθεί η ηλεκτρική σκούπα ατμού, χρειάζονται περίπου 15 δευτερόλεπτα.
- Γυρίστε το περιστροφικό χειριστήριο Autoselect™ (2) έως ότου φθάσετε στην απαιτούμενη ρύθμιση. Μετά από λίγα δευτερόλεπτα θα αρχίσει να βγαίνει ατμός από την κεφαλή ατμού.

**Σημείωση!** Κατά την πρώτη πλήρωση ή μετά την ξηρή λειτουργία, μπορεί να χρειαστούν μέχρι και 45 δευτερόλεπτα για την παραγωγή ατμού.

- Χρειάζονται μερικά δευτερόλεπτα για να εισέλθει ο ατμός στο εξάρτημα καθαρισμού. Η ηλεκτρική σκούπα ατμού θα γλιστράει τώρα εύκολα πάνω στην επιφάνεια που πρόκειται να απολυμανθεί/καθαριστεί.
- Μετακινείτε αργά την ηλεκτρική σκούπα ατμού εμπρός-πίσω στην επιφάνεια για να καθαριστεί καλά με ατμό κάθε τμήμα.
- Όταν ολοκληρώσετε τη χρήση της ηλεκτρικής σκούπας ατμού, επιστρέψτε τη λαβή (8) στην όρθια θέση, διασφαλίζοντας ότι στηρίζεται και απενεργοποιήστε την. Περιμένετε να κρυώσει η ηλεκτρική σκούπα ατμού (περίπου πέντε λεπτά).

**Προσοχή!** Είναι σημαντικό να παρακολουθείτε τη στάθμη του νερού στο δοχείο νερού. Για να ζαναγεμίσετε το δοχείο νερού και να συνεχίσετε την απολύμανση/καθαρισμό, τοποθετήστε την ηλεκτρική σκούπα ατμού σε όρθια θέση και βεβαιωθείτε ότι η λαβή υποστηρίζεται και απενεργοποιήστε τη σκούπα. Αποσυνδέστε τη συσκευή από την πρίζα τοίχου και γεμίστε πάλι το δοχείο νερού.

**Προσοχή!** Μην αφινετε ποτέ την ηλεκτρική σκούπα ατμού στο ίδιο σημείο σε οποιοδήποτε επιφάνεια για οποιοδήποτε χρονικό διάστημα. Πάντοτε τοποθετείτε την ηλεκτρική σκούπα ατμού με τη λαβή (8) υποστηριζόμενη σε όρθια θέση όταν είναι σε στάση και βεβαιωθείτε ότι η ηλεκτρική σκούπα ατμού είναι απενεργοποιημένη όταν δε χρησιμοποιείται.

### Φρεσκάρισμα χαλιών

- Τοποθετήστε ένα εξάρτημα καθαρισμού (13) στο δάπεδο με την πλευρά με τις θηλείες στραμμένη προς τα πάνω.
- Πιέστε ελαφριά την ηλεκτρική σκούπα ατμού πάνω στο εξάρτημα καθαρισμού.
- Τοποθετήστε το εξάρτημα χαλιών (12b) στο δάπεδο.
- Πιέστε ελαφρά την ηλεκτρική σκούπα ατμού πάνω στο εξάρτημα χαλιών μέχρι να ασφαλίσει με χαρακτηριστικό ήχο κλικ.
- Συνδέστε την ηλεκτρική σκούπα ατμού στο ρεύμα δικτύου.
- Πατήστε το κουμπι ON/OFF (1). Για να ζεσταθεί η ηλεκτρική σκούπα ατμού, χρειάζονται περίπου 15 δευτερόλεπτα.
- Γυρίστε το περιστροφικό χειριστήριο Autoselect™ (2) στη ρύθμιση Ξύλο/ Πολυστρωματικό υλικό.
- Μετακινείτε αργά την ηλεκτρική σκούπα ατμού εμπρός-πίσω πάνω στο χαλί για να φρεσκαριστεί καλά με ατμό κάθε τμήμα.
- Όταν ολοκληρώσετε τη χρήση της ηλεκτρικής σκούπας ατμού, επαναφέρετε τη λαβή (8) σε όρθια θέση και απενεργοποιήστε τη μονάδα. Περιμένετε να κρυώσει η ηλεκτρική σκούπα ατμού (περίπου πέντε λεπτά).

### Μετά τη χρήση

- Γυρίστε το περιστροφικό χειριστήριο Autoselect™ (2) στη θέση απενεργοποίησης.
- Περιμένετε να κρυώσει η ηλεκτρική σκούπα ατμού.
- Αποσυνδέστε την ηλεκτρική σκούπα ατμού από την πρίζα τοίχου.
- Αδειάστε το δοχείο νερού.

- ◆ Αφαιρέστε το εξάρτημα καθαρισμού (13) και πλύνετε το ώστε να είναι έτοιμο για την επόμενη χρήση (προσέξτε να ακολουθήσετε τις οδηγίες φροντίδας που είναι τυπωμένες στο εξάρτημα καθαρισμού).
- ◆ Τυλίξτε το καλώδιο γύρω από τα άγκιστρα τακτοποίησης καλωδίου (7 και 9).
- ◆ Υπάρχει ένα στήριγμα ανάρτησης (15) ενσωματωμένο στη λαβή (6) το οποίο επιτρέπει να κρεμάσετε την ηλεκτρική σκούπα ατμού σας από κατάλληλο γάντζο στον τοίχο. Να βεβαιώνετε πάντα ότι το άγκιστρο στον τοίχο σας είναι σε θέση να υποστηρίξει με ασφάλεια το βάρος της ηλεκτρικής σκούπας ατμού.

### Καθαρισμός με ατμοκαθαριστή χειρός

**Προειδοποίηση!** Η μονάδα δεν θα είναι σε θέση να παράγει ατμό εκτός αν συνδεθεί στο κυρίως σώμα (11) ή έχει τοποθετηθεί ο εύκαμπτος σωλήνας ατμού (16). **Προειδοποίηση!** Χρησιμοποιείτε τη μονάδα μόνο σε οριζόντια θέση.

- ◆ Συνδέστε το απαιτούμενο αξεσουάρ.
- ◆ Συνδέστε τον ατμοκαθαριστή χειρός στο ρεύμα δικτύου.
- ◆ Πατήστε το κουμπί ON/OFF (1). Για να ζεσταθεί η ηλεκτρική σκούπα ατμού, χρειάζονται περίπου 15 δευτερόλεπτα.
- ◆ Γυρίστε το περιστροφικό χειριστήριο Autoselect™ (2) έως ότου φθάσετε στην απαιτούμενη ρύθμιση. Μετά από λίγα δευτερόλεπτα θα αρχίσει να βγαίνει ατμός από την κεφαλή ατμού.

**Σημείωση!** Κατά την πρώτη πλήρωση ή μετά την ζρή λειτουργία, μπορεί να χρειαστούν μέχρι και 45 δευτερόλεπτα για την παραγωγή ατμού.

- ◆ Όταν τελειώσετε τη χρήση του ατμοκαθαριστή χειρός, γυρίστε το περιστροφικό χειριστήριο Autoselect™ (2) στη θέση απενεργοποίησης. Απενεργοποιήστε τη μονάδα πατώντας το κουμπί ON/OFF (1) και αποσυνδέστε την από την παροχή ρεύματος δικτύου. Περιμένετε να κρυώσει η μονάδα πριν τη φυλάξετε (περίπου πέντε λεπτά).

### Αξεσουάρ

Η απόδοση της συσκευής σας εξαρτάται από τα αξεσουάρ που χρησιμοποιούνται. Τα αξεσουάρ της BLACK+DECKER έχουν κατασκευαστεί μηχανικά με βάση πρότυπα υψηλής ποιότητας και είναι σχεδιασμένα να ενισχύουν την απόδοση της συσκευής σας. Χρησιμοποιώντας αυτά τα αξεσουάρ, θα εξασφαλίσετε την καλύτερη δυνατή απόδοση του εξοπλισμού σας.

### Τεχνικά στοιχεία

FSMH1321		
Τάση	$V_{AC}$	230
Ισχύς	W	1300
Χωρητικότητα δοχείου	ml	500
Βάρος	kg	2.7
FSMH1351SM		
Τάση	$V_{AC}$	230
Ισχύς	W	1300
Χωρητικότητα δοχείου	ml	500
Βάρος	kg	2.7
FSMH13101SM		
Τάση	$V_{AC}$	230
Ισχύς	W	1300
Χωρητικότητα δοχείου	ml	500
Βάρος	kg	2.8
FSMH13151SM		
Τάση	$V_{AC}$	230
Ισχύς	W	1300
Χωρητικότητα δοχείου	ml	500
Βάρος	kg	2.8
FSMH1321J		
Τάση	$V_{AC}$	230
Ισχύς	W	1300
Χωρητικότητα δοχείου	ml	500
Βάρος	kg	2.7
FSMH1321JSM		
Τάση	$V_{AC}$	230
Ισχύς	W	1300
Χωρητικότητα δοχείου	ml	500
Βάρος	kg	2.8
FSMH1321JMD		
Τάση	$V_{AC}$	230
Ισχύς	W	1300
Χωρητικότητα δοχείου	ml	500
Βάρος	kg	2.8

### Αντιμετώπιση προβλημάτων

Σε περίπτωση που η συσκευή σας δεν φαίνεται να λειτουργεί σωστά, ακολουθήστε τις παρακάτω οδηγίες. Αν αυτό δεν σας βοηθήσει να επιλύσετε το πρόβλημα, επικοινωνήστε με το πλησιέστερο κέντρο επισκευών της BLACK+DECKER.

Πρόβλημα	Βήμα	Πιθανή λύση
Η ηλεκτρική σκούπα ατμού δεν ενεργοποιείται	1.	Ελέγξτε εάν η μονάδα είναι συνδεδεμένη στην πρίζα τοίχου.
	2.	Ελέγξτε εάν η μονάδα είναι ενεργοποιημένη χρησιμοποιώντας τον διακόπτη ON/OFF (1)
	3.	Ελέγξτε την ασφάλεια στα φως.
Η ηλεκτρική σκούπα ατμού δεν παράγει ατμό	4.	Η ηλεκτρική σκούπα ατμού θα παράγει ατμό μόνο αν το καθαριστικό ατμού χειρός (5) έχει συνδεθεί σωστά στο κυρίως σώμα (11) ή έχει τοποθετηθεί ο εύκαμπος σωλήνας ατμού ή το χειριστήριο Autoselect™ έχει γυριστεί στη θέση ενεργοποίησης
	5.	Ελέγξτε ότι το δοχείο νερού είναι γεμάτο. Σημείωση: Κατά την πρώτη πλήρωση ή μετά την ξηρή λειτουργία, μπορεί να χρειαστούν μέχρι και 45 δευτερόλεπτα για την παραγωγή ατμού.
	6.	Ελέγξτε το βήμα 1, μετά το βήμα 2, μετά το βήμα 3
Η ηλεκτρική σκούπα ατμού σταματάει να παράγει ατμό κατά τη χρήση	7.	Ελέγξτε το βήμα 4, μετά το βήμα 5, μετά το βήμα 3
Η ηλεκτρική σκούπα ατμού παράγει πάρα πολύ ατμό κατά τη χρήση	8.	Γυρίστε το περιστροφικό χειριστήριο Autoselect™ (2) αριστερόστροφα για να μειώσετε την ποσότητα του ατμού που παράγεται
Η ηλεκτρική σκούπα ατμού παράγει πολύ λίγο ατμό κατά τη χρήση	9.	Γυρίστε το περιστροφικό χειριστήριο Autoselect™ (2) δεξιόστροφα για να αυξήσετε την ποσότητα του ατμού που παράγεται
Δεν παράγεται ατμός από τον αποκαθαριστή χειρός	10.	Ελέγξτε ότι το περιστροφικό χειριστήριο Autoselect™ (2) είναι στη θέση ενεργοποίησης
	11.	Ελέγξτε το βήμα 5, μετά το βήμα 1, μετά το βήμα 2, μετά το 3
Ο αποκαθαριστής χειρός παράγει πολύ λίγο ατμό κατά τη χρήση	12.	Γυρίστε το περιστροφικό χειριστήριο Autoselect™ (2) δεξιόστροφα για να αυξήσετε την ποσότητα του ατμού που παράγεται
	13.	Ελέγξτε το βήμα 5
Ο αποκαθαριστής χειρός παράγει πάρα πολύ ατμό κατά τη χρήση	14.	Γυρίστε το περιστροφικό χειριστήριο Autoselect™ (2) αριστερόστροφα για να μειώσετε την ποσότητα του ατμού που παράγεται
Τα αξεσουάρ πέφτουν συνεχώς από τη μονάδα	15.	Ανατρέξτε στο κεφάλαιο συναρμολόγησης για οδηγίες σωστής τοποθέτησης όλων των εξαρτημάτων και αξεσουάρ
Διαφεύγει ατμός από μη αναμενόμενες περιοχές της μονάδας	16.	Ανατρέξτε στο κεφάλαιο συναρμολόγησης για οδηγίες σωστής τοποθέτησης όλων των εξαρτημάτων και αξεσουάρ
Που μπορώ να βρω περισσότερες πληροφορίες/ αξεσουάρ	17.	<a href="http://www.blackanddecker.co.uk/steammp">www.blackanddecker.co.uk/steammp</a> <a href="http://www.blackanddecker.ie/steammp">www.blackanddecker.ie/steammp</a>

<b>België/Belgique/Luxembourg</b> www.blackanddecker.be enduser.be@sbdinc.com	Stanley Black & Decker Belgium BVBA Egide Walschaertsstraat 16 2800 Mechelen	Tel. NL +32 15 47 37 65 Tel. FR +32 15 47 37 66 Fax. +32 15 47 37 99
<b>Danmark</b>	Black & Decker Roskildevej 22 2620 Albertslund	kundeservice.dk@sbdinc.com www.blackanddecker.dk
<b>Deutschland</b> www.blackanddecker.de infobfge@sdbinc.com	Stanley Black & Decker Deutschland GmbH Black & Decker Str. 40, D - 65510 Idstein	Tel. 06126 21-0 Fax 06126 21-2980
<b>Ελλάδα</b> www.blackanddecker.gr greece.service@sbdinc.com	Stanley Black & Decker (ΕΛΛΑΣ) Ε.Π.Ε ΓΡΑΦΕΙΑ: Σπύριδωνος 7 & Βουλιαγμένης 166 74 Γλυφάδα - Αθήνα	Τηλ. 210-8981616 Φαξ 210-8983570
<b>SERVICE:</b>	Ημερος Τόπος 2 -Χάνι Αδάμ 193 00 Ασπρόπυργος - Αθήνα	Τηλ. Service 210-8985208 Φαξ 210-5597598
<b>España</b> www.blackanddecker.es respuesta.posventa@sbdinc.com	Stanley Black & Decker Ibérica, S.C.A. Parc de Negocis "Mas Blau" Edificio Muntadas, c/Bergadà, 1, Of. A6 08820 El Prat de Llobregat (Barcelona)	Tel. 934 797 400 Fax 934 797 419
<b>France</b> www.blackanddecker.fr	Black & Decker (France) S.A.S. 5 allée des Hêtres B.P. 30084 69579 Limonest Cédex	Tel. 04 72 20 39 20 Fax 04 72 20 39 00
<b>Helvetia</b> www.blackanddecker.ch service@rofoag.ch	ROFO AG Gewerbezone Seeblick 3213 Kleinbösingen	Tel. 026-6749393 Fax 026-6749394
<b>Italia</b> www.blackanddecker.it service.italia@sbdinc.com	Stanley Black & Decker Italia Via Energypark 6 20871 Vimercate (MB)	Tel. 039-9590200 Fax 039-9590313 Numero verde 800-213935
<b>Nederland</b> www.blackanddecker.nl enduser.nl@sbdinc.com	Stanley Black & Decker Netherlands BV Holtum Noordweg 35, 6121 RE BORN Postbus 83, 6120 AB BORN	Tel. +31 164 283 065 Fax +31 164 283 200
<b>Norge</b>	Black & Decker Postboks 4613, Nydalen 0405 Oslo	kundeservice.no@sbdinc.com www.blackanddecker.no
<b>Österreich</b> www.blackanddecker.at service.austria@sbdinc.com	Stanley Black & Decker Austria GmbH Oberlaaerstraße 248, A-1230 Wien	Tel. 01 66116-0 Fax 01 66116-614
<b>Portugal</b> www.blackanddecker.pt resposta.posvenda@sbdinc.com	Black & Decker Limited SARL Quinta da Fonte - Edifício Q55 D. Diniz Rua dos Malhães, 2 e 2A - Piso 2 Esquerdo 2770 - 071 Paço de Arcos	Tel. 214667500 Fax 214667580
<b>Suomi</b>	Black & Decker PL47 00521, Helsinki	asiakaspalvelu.fi@sbdinc.com www.blackanddecker.fi
<b>Sverige</b>	Black & Decker AB Box 94, 431 22 Mölndal	kundservice.se@sbdinc.com www.blackanddecker.se
<b>Türkiye</b> www.blackanddecker.com.tr	KALE Hirdavat ve Makina A.Ş. Defferdar Mah. Savaklar Cad. No:15 Edimekapı / Eyüp / İstanbul 34050	Tel. 0212 533 52 55 Fax. 0212 533 10 05
<b>United Kingdom &amp; Republic Of Ireland</b> www.blackanddecker.co.uk emeaservice@sbdinc.com	Black & Decker 210 Bath Road Slough, Berkshire SL1 3YD	Tel. 01753 511234 Fax 01753 512365
<b>Middle East &amp; Africa</b> www.blackanddecker.ae service.mea@sbdinc.com	Black & Decker P.O.Box - 17164 Jebel Ali Free Zone (South), Dubai, UAE	Tel. +971 4 8863030 Fax +971 4 8863333