

# Oster®



MODEL/MODÈLE 4126, 4134  
MODELO & 4655

INSTRUCTION MANUAL  
**OSTER® BLENDER**

READ ALL INSTRUCTIONS BEFORE USING THIS APPLIANCE

---

MANUEL D'INSTRUCTIONS  
**BLENDER OSTER®**

LIRE TOUTES LES INSTRUCTIONS AVANT D'UTILISER CET APPAREIL

---

MANUAL DE INSTRUCCIONES  
**BATIDORA OSTER®**

LEA TODAS LAS INSTRUCCIONES ANTES DE USAR ESTE APARATO

---

MANUAL DE INSTRUÇÕES  
**LIQUIDIFICADOR OSTER®**

LEIA TODAS AS INSTRUÇÕES ANTES DE USAR ESTE APARELHO

---

# IMPORTANT SAFEGUARDS

When using electrical appliances, basic safety precautions should be followed, including the following:

## READ ALL INSTRUCTIONS BEFORE USE

1. Unplug cord from outlet when not in use or before cleaning.
2. To protect against risk of electrical shock, do not immerse the cord, plug or motor base in water or other liquids.
3. **DO NOT** let cord hang over edge of table or counter or touch hot surfaces.
4. Never leave appliance unattended when in use.
5. Children should be supervised to ensure that they do not play with the appliance.
6. Avoid contact with moving parts. Keep hands and utensils out of jar while blending to prevent personal injury or damage to the blender. A rubber spatula may be used only when the blender is not running.
7. The blade is sharp. Handle with care. Care shall be taken when handling the sharp cutting blades, emptying the bowl and during cleaning.
8. Always put the lid on the jar before operating the blender.
9. **DO NOT** operate any appliance with a damaged cord or plug or after the appliance malfunctions or is dropped or damaged in any manner. Return the appliance to the nearest Authorised Appliance Service Centre for examination, repair or electrical or mechanical adjustment.
10. **DO NOT** use outdoors or for commercial purposes; this appliance is for household use only.
11. Use this appliance for its intended use as described in this manual.
12. When blending hot liquids, remove centre piece of two-piece cover.
13. To reduce the risk of injury, never place cutter-assembly blades on base without jar properly attached.
14. Always operate on a flat surface.
15. Always disconnect the blender from the supply if it is left unattended and before assembling, disassembling or cleaning.
16. The use of attachments, not made by manufacturer, including canning or ordinary jar and processing assembly parts, is not recommended by Sunbeam Products, Inc., doing business as Jarden Consumer Solutions, and may cause risk of injury to persons.
17. **DO NOT** operate blender continuously for more than 3 minutes.
18. This appliance is not intended for use by persons (including children) with reduced physical, sensory or mental capabilities, or lack of experience and knowledge, unless they have been given supervision or instruction concerning use of the appliance by a person responsible for their safety.

## THIS PRODUCT IS FOR HOUSEHOLD USE ONLY.

The maximum rating marked on the product is based on the attachment that draws the greatest load. Other attachments may draw less power.

## POWER CORD INSTRUCTIONS

Please follow the instructions below to ensure the safe use of the power cord

- **DO NOT** use an extension cord with this product.
- **DO NOT** pull, twist or otherwise abuse the power cord.
- If the supply cord is damaged, it must be replaced by the manufacturer, its service agent or similarly qualified persons in order to avoid a hazard.

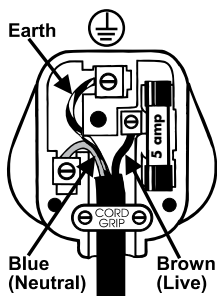
# SAVE THESE INSTRUCTIONS

## FITTING A REPLACEMENT PLUG FOR U.K. AND IRELAND ONLY

If the plug is not suitable for the socket outlets in your home, it can be removed and replaced by a plug of the correct type. Please refer to "Installation of a plug" below.

Installation of a plug Applicable to U.K. and Ireland.

**WARNING - THIS APPLIANCE MUST BE EARTHED.**



**NOTE:** If the terminals in the plug are not marked or if you are unsure or in doubt about the installation of the plug please contact a qualified electrician. If a 5A 3-pin plug is fitted, it must be an ASTA approved plug, conforming to BS1363 standard. Replacement 5A fuses must be BSI or ASTA BS1362 approved.

The wires in the mains lead are coloured as such:

**GREEN AND YELLOW - EARTH**

**BROWN - LIVE**

**BLUE - NEUTRAL**

Please note that the colour of these mains wires may not correspond with the colour markings that identify the terminals in your plug.

Please proceed as follows:

The wire which is coloured **GREEN AND YELLOW** must be connected to the terminal which is marked with the letter "E" or by the earth symbol  $\oplus$  or coloured **GREEN** or **GREEN AND YELLOW**.

The **BROWN** coloured wire must be connected to the terminal, which is marked with the letter "L" or is coloured **RED**.

The **BLUE** coloured wire must be connected to the terminal, which is marked with the letter "N" or is coloured **BLACK**.

# KNOWING YOUR OSTER® BLENDER

## Cover

The cover for your OSTER® Blender consists of two parts, the plastic feeder cap (1) and the cover (2). The cover is self-sealing and is resistant to absorption of odors and stains. The feeder cap is removable for use as a measuring cup and provides an opening for the addition of other ingredients.

## Container

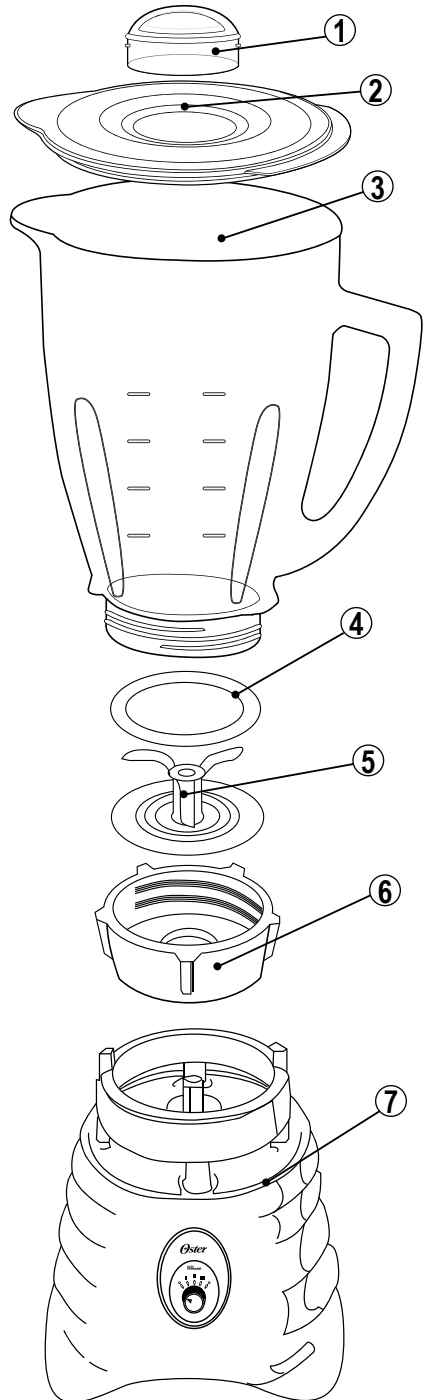
The container (3) for the Blender is graduated for easy measurement and is molded of heat and cold resistant material. The convenient handle and pouring lip permit easy removal of liquid mixtures while thicker mixtures are more easily removed through the bottom opening.

## Processing Assembly

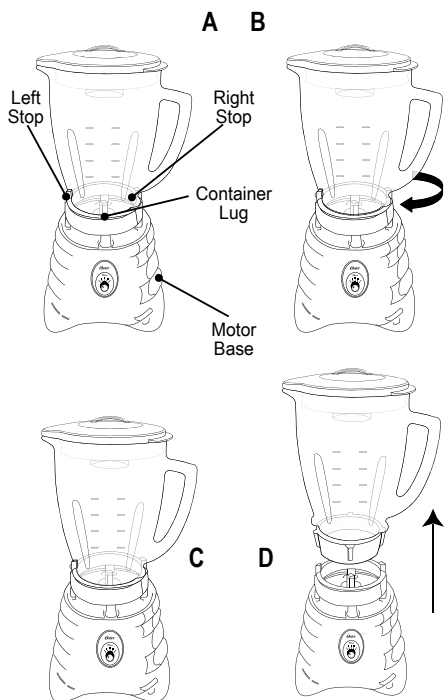
The processing assembly consists of three parts: a sealing ring (4) used as a cushion between the container and the blade section; a blade section (5) made of high-grade stainless steel; a threaded container bottom (6).

## Motor and Motor Base

The powerful multi-speed motor is the heart of the appliance and is designed just for this unit. It is completely enclosed within the housing (7). The motor uses a "free-floating" feature to reduce noise and wear. This allows the square post which protrudes from the motor base to move slightly from side to side. The powerful food processing motor can be overloaded. To avoid this possibility, closely follow the instructions in this book.



# TIGHTENING THE CONTAINER



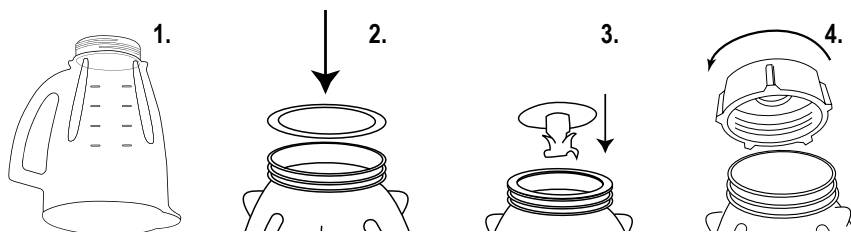
- A. To tighten container bottom, put assembled container securely into motor base ring with handle and lug in front of the right stop.
- B. Using the container handle, turn container to the left as far as possible. This insures that the container bottom is tightened properly. Remove container from motor base and mount.
- C. To operate Blender, place assembled container in motor base ring with container lug against flat side of the motor base stop. If container lug does not rest against flat side of right stop, remove container assembly and place against flat side of left stop. Seat container firmly and operate.
- D. To remove container, lift straight up. *(If it is not easily removed, rock gently and lift up, do not twist).* If container bottom cannot be loosened by hand, place assembled container into motor base ring with handle in front of left side stop. Using handle, turn container to right until container bottom loosens.

Do not attempt to place the container on or attempt to remove it from the motor base while the motor is running.

**ALWAYS HOLD CONTAINER WITH ONE HAND WHILE PROCESSING!**

# ASSEMBLING YOUR BLENDER

**CAUTION:** Follow these important steps to assemble, tighten and mount Blender container quickly and correctly. INJURY MAY RESULT IF MOVING BLADES ARE EXPOSED.



1. Turn container upside down so the small opening is at the top.
2. Place sealing ring on container opening.

3. Turn the agitator blades upside down and place in mouth of container.
4. Thread container bottom to container.

# CARE AND CLEANING OF YOUR OSTER® BLENDER

Blender container parts are corrosion resistant, sanitary and easily cleaned. Before first use and after every use, separate container parts and clean thoroughly in warm, soapy water then rinse and dry well.

Periodically check all parts before re-assembly. If the processing blades are stuck or difficult to turn, **DO NOT USE BLENDER**. Check by carefully turning the blades in an anti-clockwise direction (*opposite edges are sharp*). Blades should turn freely.

If the container is chipped or cracked, **DO NOT USE BLENDER**. Further use could result in the container breaking during use. Use only OSTER® Blender recommended replacement parts available at an Authorized Service Center.

**USE OF DAMAGED OR NON-RECOMMENDED PARTS COULD RESULT IN SEVERE PERSONAL INJURY AND/OR DAMAGE TO THE BLENDER.** See Page 4 for proper container assembly and user instructions.

**NEVER IMMERSE THE MOTOR BASE IN WATER.** The housing can be cleaned with a damp cloth (unplug first). The motor is permanently lubricated and does not require any additional lubrication. **ANY SERVICING SHOULD BE PERFORMED BY AN AUTHORIZED SERVICE FACILITY.**

## HOW YOUR OSTER® BLENDER WORKS

Your OSTER® Blender is a multi-speed appliance which operates on a wide range of speeds from very slow to very fast. This range of speeds makes food preparation easy, interesting and fast.

In addition, your OSTER® Blender has two distinct methods of operation:

1. CONTINUOUS run for blending, liquefying and fine chopping.
2. CONTROLLED CYCLE BLENDING, used for chopping pieces of food, such as vegetables, nuts or cheeses. There are several different ways of operating the CONTROLLED CYCLE / BLENDING CYCLE feature, but all involve turning the motor on and off intermittently. When on, food is chopped and tossed away from the blades. When off, the food is distributed around the blades to make processing more uniform.

**NOTE:** A cycle consists of operating the blender for about two seconds and then allowing the blades to coast to a stop.

## MAXIMUM PROCESSING QUANTITIES FOR FOODS

FOOD	PROCESSED QUANTITY	UNPROCESSED QUANTITY	SPECIAL INSTRUCTIONS
Apple Juice	375 ml	1 medium, peeled, cored, cut into eighths + 250 ml liquid	Speed III up to 30 seconds
Carrot Juice	1.4 L	600 g carrots + 800 ml water	Speed III up to 2 minutes. Squeeze juice from pulp
Refried Beans	750 ml	750 ml Baked Beans	Speed III up to 2 minutes. Season with salt and spices and fry them in a skillet
Cheese, Hard or Semi-Hard	250 ml	250 ml of 2.5 cm pieces	Speed I up to 1 minute
Coconut	250 ml	250 ml of 2.5 cm pieces	Speed I up to 1 minute
Coffee Beans	250 ml	1 cup 250 ml	Speed II up to 45 seconds for percolators & 60 seconds for drip.
Dried Fruit	Scant 125 ml + 120 grams flour	125 ml	Speed III up 15 seconds
Eggs, Hard Cooked	200 ml	2 eggs of 2.5 cm pieces	Speed I up to 30 seconds
Peppercorns	125 ml	125 ml	Speed II up to 30 seconds
Nutmeg	15 ml	3 nuts, shell removed	Speed II up to 30 seconds
Ginger Root	50 ml	2 – 3 pieces 2.5 cm each	Speed II up to 30 seconds

**Note:** Since foods vary in size, consistency and freshness, you may need to add or subtract a processing time from the number stated in this chart.

---

# EUROPE GUARANTEE

Please keep your receipt as this will be required for any claims under this guarantee.

This appliance is guaranteed for 2 years after your purchase as described in this document.

During this guaranteed period, if in the unlikely event the appliance no longer functions due to a design or manufacturing fault, please take it back to the place of purchase, with your till receipt and a copy of this guarantee.

The rights and benefits under this guarantee are additional to your statutory rights, which are not affected by this guarantee. Only Holmes Products (Europe) Ltd. ("Holmes") has the right to change these terms.

Holmes undertakes within the guarantee period to repair or replace the appliance, or any part of appliance found to be not working properly free of charge provided that:

- you promptly notify the place of purchase or Holmes of the problem; and
- the appliance has not been altered in any way or subjected to damage, misuse, abuse, repair or alteration by a person other than a person authorised by Holmes.

Faults that occur through, improper use, damage, abuse, use with incorrect voltage, acts of nature, events beyond the control of Holmes, repair or alteration by a person other than a person authorised by Holmes or failure to follow instructions for use are not covered by this guarantee. Additionally, normal wear and tear, including, but not limited to, minor discoloration and scratches are not covered by this guarantee.

The rights under this guarantee shall only apply to the original purchaser and shall not extend to commercial or communal use.

If your appliance includes a country-specific guarantee or warranty insert please refer to the terms and conditions of such guarantee or warranty in place of this guarantee or contact your local authorised dealer for more information.



This marking indicates that this product should not be disposed with other household wastes and should be disposed separately throughout the EU. To prevent possible harm to the environment or human health from uncontrolled waste disposal due to the presence of hazardous substances within the product, recycle it responsibly to promote the sustainable reuse of materials and resources. To return your used device, please use the return and collection systems available to you or contact the retailer where the product was purchased. They can take this product for environmentally safe recycling.

Holmes Products (Europe) Limited  
1 Francis Grove  
London  
SW19 4DT  
UK



# IMPORTANTES MESURES DE SECURITE

L'utilisation d'appareils électriques requiert certaines précautions élémentaires d'emploi, en particulier:

## LIRE SOIGNEUSEMENT TOUTES LES INSTRUCTIONS AVANT D'UTILISER VOTRE BLENDER

1. Eteindre et débrancher votre blender après usage et avant de le nettoyer.
2. Pour éviter tout risque d'électrocution, ne pas plonger le fil d'alimentation, la prise électrique ou la base de l'appareil dans l'eau ou tout autre liquide.
3. **NE PAS** laisser le cordon électrique pendre sur le bord d'une table ou d'un comptoir, ni le mettre en contact avec des surfaces chaudes.
4. Ne jamais laisser l'appareil sans surveillance pendant son usage.
5. Les enfants doivent être sous surveillance pour s'assurer qu'ils ne jouent pas avec l'appareil.
6. Eviter tout contact avec les éléments en mouvement. Maintenir mains et ustensiles hors du récipient durant le fonctionnement afin de réduire les risques de blessure et pour ne pas endommager le blender. Vous pouvez utiliser une spatule en caoutchouc lorsque le blender n'est pas en service.
7. La lame est coupante. Utiliser avec précaution. Faire attention quand vous manipulez les lames aiguisées, videz le récipient et pendant l'entretien.
8. Toujours mettre le couvercle sur le récipient avant la mise en marche.
9. **NE PAS** utiliser cet appareil lorsque le fil d'alimentation ou la fiche électrique est endommagée, ni lorsque cet appareil ne fonctionne pas normalement, qu'il est tombé ou qu'il a subi quelque dommage que ce soit. En cas de contrôle, réparation, ou réglage électrique ou mécanique, veuillez retourner cet appareil uniquement au Centre de Service Autorisé le plus proche de chez vous.
10. **NE PAS** utiliser à l'extérieur, n'est pas destiné à un usage commercial. Cet appareil est uniquement destiné à un usage domestique.
11. **NE PAS** se servir de cet appareil pour d'autres usages que ceux pour lesquels il a été conçu, tel qu'il est écrit dans ce mode d'emploi.
12. Lorsque vous mélangez des liquides brûlants, retirer la pièce centrale du couvercle.
13. Pour éviter tout risque de blessure, ne jamais mettre les lames sur la base sans avoir mis le récipient correctement en place.
14. Toujours utiliser sur une surface plane.
15. Débranchez le blender quand il ne sert pas, avant de monter ou de démonter toute pièce et avant de le nettoyer.
16. Sunbeam Products, Inc., qui fait commerce sous le nom de Jarden Consumer Solutions ne recommande pas l'utilisation de pièces, accessoires ou récipients autres que ceux fabriqués par ce fabricant, cela pourrait entraîner des risques de blessures corporelles.
17. **NE PAS** utiliser l'appareil de manière continue pendant plus de 3 minutes.
18. Cet appareil n'est pas conçu pour être utilisé par des personnes (y compris des enfants) aux capacités physiques, sensorielles ou mentales réduites, ou par des personnes manquant d'expérience ou de connaissances, à moins qu'elles ne soient encadrées par une personne responsable de leur sécurité qui puisse leur expliquer comment utiliser l'appareil.

## CET APPAREIL EST UNIQUEMENT DESTINE A USAGE DOMESTIQUE.

La capacité électrique maximale de cet appareil est basée sur l'accessoire qui requiert le plus de capacité. Il est possible que d'autres accessoires requièrent moins.

# INSTRUCTIONS RELATIVES AU FIL D'ALIMENTATION

Veillez suivre les instructions ci-dessous pour assurer une utilisation en toute sécurité du cordon d'alimentation.

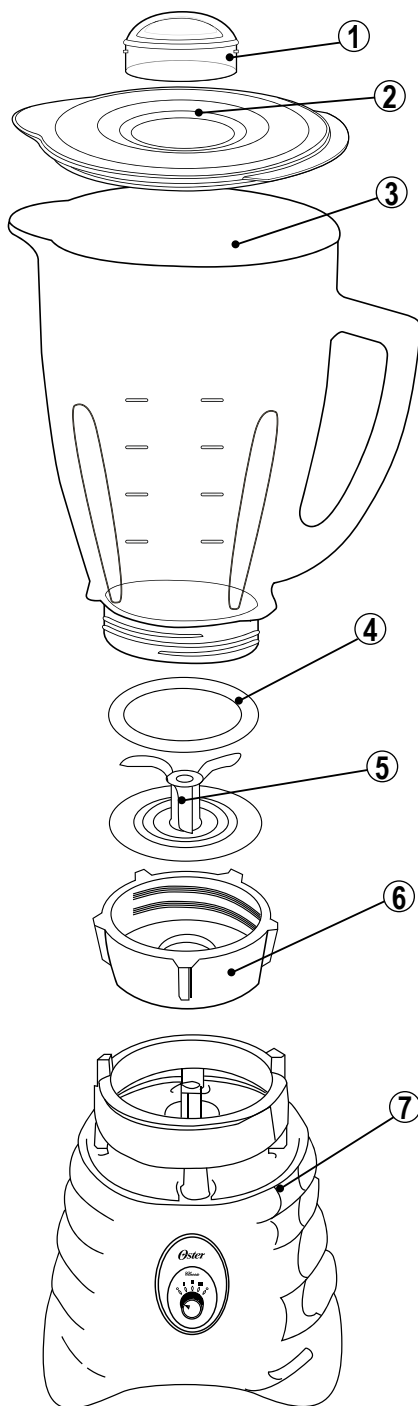
- **NE PAS** vous servir d'une rallonge avec cet appareil.
- **NE PAS** tirer brusquement sur le cordon, ne pas l'entortiller et ne pas le maltraiter.
- En cas de détérioration du fil ou de la prise d'alimentation, seul le fabricant, un représentant du service après-vente ou une personne agréée sont habilités à remplacer la pièce endommagée pour éviter tout danger.

CONSERVER CES INSTRUCTIONS

# DÉCOUVREZ VOTRE BLENDER OSTER®

## Couvercle

Le couvercle du Blender OSTER® comprend deux parties: le bouchon de remplissage en plastique (1) et le couvercle en (2). Le couvercle est hermétique et résiste aux taches et à l'absorption d'odeurs. Le bouchon de remplissage s'enlève pour servir de verre-doseur et permettre l'ajout d'ingrédients dans le récipient.



## Récipient

Le récipient du Blender (3), gradué pour faciliter les mesures, est moulé dans un matériau résistant à la chaleur et au froid. La poignée et le bec verseur sont prévus pour les mélanges liquides, alors que les mélanges plus épais peuvent plus facilement être sortis par l'ouverture à la base du récipient.

## Bloc-couteau

Le bloc-couteau comprend trois parties: un joint d'étanchéité placé entre le récipient et le couteau (4), des lames en acier inoxydable de haute qualité (5) et une base de récipient filetée (6).

## Moteur et Bloc-Moteur

Le puissant moteur multivitesse constitue le cœur de l'appareil. Il est conçu exclusivement pour ce modèle. Il est intégralement contenu dans le boîtier (7). Le moteur est de type «flottant», ce qui contribue à réduire le bruit et l'usure. Ceci permet à l'arbre de section carrée dépassant du bloc-moteur de se déplacer légèrement d'un côté à l'autre. Malgré sa puissance, il est possible qu'une surcharge du moteur du Blender se produise. Pour éviter ce type d'incident, veillez à bien respecter les instructions contenues dans ce manuel.

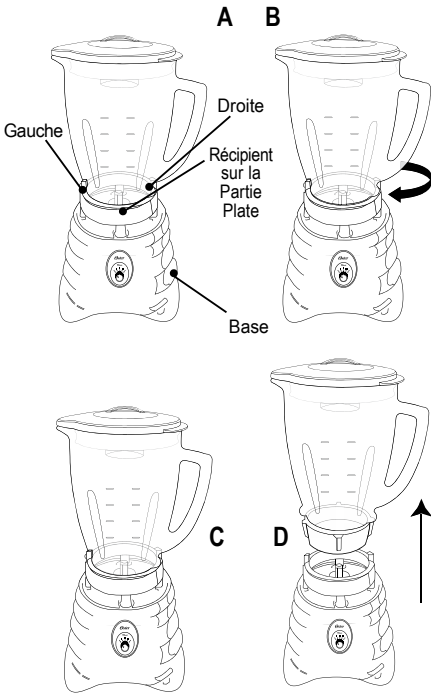
# SERRAGE DU RÉCIPIENT

A. Pour serrer la base du récipient, placer l'ensemble du récipient sur la bague de fixation du bloc-moteur en alignant la poignée et la languette de fixation sur la butée droite.

B. En le saisissant par la poignée, faire tourner le récipient aussi loin que possible vers la gauche. Ceci assure un bon serrage de la base du récipient. Détacher le récipient du bloc-moteur et effectuer le montage.

C. Pour utiliser le Blender, placer le récipient assemblé sur la bague de fixation du bloc-moteur en appuyant la languette de fixation du récipient sur la partie plate de la butée du bloc-moteur. Si la languette du récipient ne repose pas contre le côté plat de la butée droite, enlever le récipient et le placer contre le côté plat de la butée gauche. Bien positionner le récipient et faire fonctionner l'appareil.

D. Pour démonter le récipient, le soulever verticalement (*s'il ne se détache pas facilement, le basculer légèrement sur les côtés puis le soulever; ne pas le faire tourner*). Si la base du récipient ne se desserre pas à la main, placer l'ensemble du récipient sur la bague de fixation du bloc-moteur avec la poignée sur la butée gauche. En le maintenant par la poignée, faire tourner le récipient vers la droite jusqu'à ce que sa base soit desserrée.

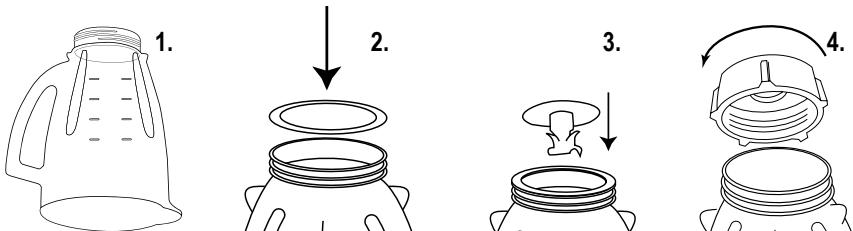


Ne pas tenter de mettre le récipient en place ou de le détacher du bloc-moteur pendant que le moteur est en marche.

**TOUJOURS MAINTENIR LE RÉCIPIENT AVEC UNE MAIN LORS DU FONCTIONNEMENT!**

# ASSEMBLAGE DU BLENDER

**ATTENTION:** Suivre ces étapes importantes pour assurer un assemblage, un serrage et un montage corrects et rapides du récipient. **LES LAMES AMOVIBLES EXPOSÉES PEUVENT CAUSER DES BLESSURES.**



1. Retourner le récipient de manière à ce que l'ouverture étroite soit en haut.
2. Placer le joint d'étanchéité sur l'ouverture du récipient.

3. Retourner les lames du batteur et les placer à l'entrée du récipient.
4. Visser la base du récipient. Veiller à bien engager le filetage. Serrer fermement.

# ENTRETIEN ET NETTOYAGE DU BLENDER OSTER®

Les différents éléments du récipient du Blender sont résistants à la corrosion, hygiéniques et faciles à laver. Avant la première utilisation et après chaque utilisation par la suite, séparer les éléments du récipient et les laver avec soin dans l'eau savonneuse chaude, puis les rincer avant de bien les sécher.

Contrôler régulièrement l'état des pièces avant leur remontage. Si les lames du batteur sont coincées ou difficiles à tourner, **NE PAS UTILISER LE BLENDER**. Effectuer un contrôle en les faisant tourner dans le sens inverse des aiguilles d'une montre (*les arêtes opposées sont tranchantes*). Les lames doivent tourner librement.

Si le récipient est ébréché ou fêlé, **NE PAS UTILISER LE BLENDER**. Un tel récipient est susceptible de se casser durant l'utilisation du Blender. Utiliser uniquement les pièces de rechange recommandées par Oster et disponibles auprès des réparateurs agréés.

**L'UTILISATION DE PIÈCES ENDOMMAGÉES OU NON RECOMMANDÉES PEUT ENTRAÎNER DES BLESSURES GRAVES ET/OU L'ENDOMMAGEMENT DU BLENDER.**

Voir les instructions d'assemblage et d'utilisation du récipient à la Page 11.

**NE JAMAIS IMMERGER LE BLOC-MOTEUR DANS L'EAU.** Le boîtier se nettoie à l'aide d'un chiffon humide (après avoir été débranché). Le moteur est lubrifié en permanence et ne nécessite pas de graissage supplémentaire. **TOUTE RÉPARATION DOIT ÊTRE EFFECTUÉE DANS UN ATELIER DE RÉPARATION AGRÉÉ.**

## FONCTIONNEMENT DU BLENDER OSTER®

Le Blender OSTER® est un appareil multivitesse dont le régime de fonctionnement varie de lent à très rapide. Grâce à cette large gamme de vitesses, la préparation des aliments est à la fois simple, attrayante et rapide, le Blender OSTER® ne nécessitant généralement que quelques secondes de fonctionnement.

En outre, le Blender OSTER® présente deux modes de fonctionnement distincts :

1. CONTINU pour le mélange, la liquéfaction et le hachage fin.
2. CYCLE CONTRÔLÉ pour le hachage grossier d'aliments, comme les légumes, les noix ou le fromage. La fonction CYCLE CONTRÔLÉ présente plusieurs modes de commandes, qui entraînent tous un fonctionnement et un arrêt intermittent du moteur. Durant l'activation du cycle, les aliments sont hachés et écartés des lames. Durant l'arrêt du cycle, les aliments sont repositionnés à proximité des lames pour uniformisation de la préparation.

**REMARQUE:** Un cycle correspond au fonctionnement du Blender pendant 2 secondes environ puis au repositionnement des lames à l'arrêt complet.

## QUANTITE MAXIMALE D'ALIMENTS A PREPARER

ALIMENTS	QUANTITÉ PRÉPARÉE	QUANTITÉ NON PRÉPARÉE	INSTRUCTIONS SPÉCIALES
Jus de Pomme	375 ml	1 pomme de taille moyenne, épluchée évidée, coupée en huit + 250 ml de liquide	Vitesse III pendant 30 secondes
Jus de Carotte	1,4 liter	600 g de carottes + 800 ml d'eau	Vitesse III pendant 2 minutes. Presser la pulpe pour en faire sortir le jus
Purée d' Haricots Rouges	750 ml	750 ml d'haricots rouges en boîte	Vitesse III pendant 2 minutes. Assaisonner avec du sel et des épices puis faire frire dans la poêle.
Fromage, Pâte Cuite ou Semi Cuite	250 ml	250 ml de morceaux de 2.5 cm	Vitesse I pendant 1 minute
Noix de Coco	250 ml	250 ml de morceaux de 2.5 cm	Vitesse I pendant 1 minute
Grains de Café	250 ml	1 tasse de 250 ml	Vitesse II pendant 45 secondes pour percolateurs & 60 secondes pour cafetière traditionnelle
Fruits Secs	Moins de 125 ml + 120 grammes de farine	125 ml	Vitesse III pendant 15 secondes
Œufs Durs	200 ml	2 œufs en morceaux de 2.5 cm	Vitesse I pendant 30 secondes
Grains de Poivre	125 ml	125 ml	Vitesse II pendant 30 secondes
Noix de Muscade	15 ml	3 noix de muscade, retirer l'écorce	Vitesse II pendant 30 secondes
Racine de Gingembre	50 ml	2 – 3 morceaux de 2.5 cm chacun	Vitesse II pendant 30 secondes

**Remarque:** Comme la taille, la consistance et la fraîcheur des aliments varient, il est possible que vous ayez besoin d'ajouter ou de retirer quelques secondes ou minutes au temps suggéré dans le tableau ci-dessus.

# GARANTIE EUROPE

Veillez conserver votre ticket de caisse, il vous sera demandé lors de toute réclamation sous garantie.

Cet appareil est garanti 2 ans à partir de la date d'achat, comme indiqué dans le présent document.

Dans le cas peu probable d'une panne résultant d'un défaut de conception ou de fabrication au cours de la période de garantie, veuillez rapporter l'appareil au magasin où vous l'avez acheté avec votre ticket de caisse et une copie de cette garantie.

Vos droits statutaires ne sont aucunement affectés par cette garantie. Seul Holmes Products (Europe) Ltd. (« Holmes ») peut modifier ces dispositions.

Holmes s'engage à réparer ou remplacer gratuitement, pendant la période de garantie, toute pièce de l'appareil qui se révèle défectueuse sous réserve que:

- vous avertissiez rapidement le magasin ou Holmes du problème; et
- l'appareil n'ait pas été altéré de quelque manière que ce soit ou endommagé, utilisé incorrectement ou abusivement, ou bien réparé ou altéré par une personne autre qu'une personne agréée par Holmes Products Europe.

Cette garantie ne couvre pas les défauts liés à une utilisation incorrecte, un dommage, une utilisation abusive, l'emploi d'une tension incorrecte, les catastrophes naturelles, les événements hors du contrôle de Holmes, une réparation ou une altération par une personne autre qu'une personne agréée par Holmes ou le non-respect des instructions d'utilisation. De plus, cette garantie ne couvre pas non plus l'usure normale, y compris, mais sans limitation, les petites décolorations et éraflures.

Cette garantie s'applique uniquement à l'acheteur d'origine et elle n'étend aucun droit à toute personne acquérant l'appareil pour un usage commercial ou communal.

Si votre appareil est accompagné d'une garantie locale ou d'une carte de garantie, veuillez en consulter les dispositions et conditions en vigueur, ou vous adresser à votre revendeur local pour en savoir plus.



Ce symbole vous indique que ce produit ne doit pas être jeté en fin de vie avec vos autres ordures ménagères et qu'il vous faut en disposer séparément à travers toute la Communauté Européenne. Afin de protéger la santé publique et l'environnement contre l'élimination incontrôlée des déchets due à la présence de substances

hasardeuses à l'intérieur du produit, il est de votre responsabilité de recycler et promouvoir ainsi la réutilisation durable des matériaux et des ressources. Pour disposer de votre vieil appareil, veuillez utiliser les systèmes de retour et disposition qui vous sont disponibles ou contacter le magasin où vous avez acheté ce produit. Ils peuvent reprendre votre appareil et le recycler en respect avec l'environnement.

Holmes Products (Europe) Limited  
1 Francis Grove  
London  
SW19 4DT  
UK

# PRECAUCIONES IMPORTANTES

Cuando se utiliza cualquier dispositivo eléctrico siempre se deben seguir precauciones básicas de seguridad para evitar el riesgo de incendio, descarga eléctrica y/o lesiones, incluyendo las siguientes:

## LEA TODAS LAS INSTRUCCIONES ANTES DE UTILIZAR SU ELECTRODOMESTICO

1. Desenchufe el cable eléctrico de la toma de corriente cuando no esté utilizando su batidora o antes de limpiarla.
2. Para evitar el riesgo de una descarga eléctrica, no sumerja el cable, el enchufe o el dispositivo en agua u otros líquidos.
3. **NO** permita que el cable cuelgue del borde de la mesa o mostrador o que entre en contacto con superficies calientes.
4. Nunca deje ningún dispositivo eléctrico desatendido cuando esté funcionando.
5. Los niños deben ser supervisados para asegurar que no jueguen con el dispositivo.
6. Mantenga las manos y los utensilios fuera del vaso mientras la batidora esté en funcionamiento, para evitar el riesgo de lesiones graves y/o daños a la batidora. Se puede utilizar una espátula de goma, pero únicamente cuando la batidora no esté funcionando.
7. Las cuchillas están afiladas, manipúlelas con precaución. Tenga cuidado cuando manipula las cuchillas afiladas, vacíe la jarra y limpie la batidora.
8. Coloque siempre la tapa del vaso antes de utilizar la batidora.
9. **NO** utilice ningún dispositivo con un cable o enchufe dañado, después de que el dispositivo haya fallado o si se cae al suelo o se daña de cualquier otra manera. Devuelva el dispositivo al Centro de Servicio Autorizado más cercano para examinarlo, repararlo o para proceder a un reajuste mecánico o eléctrico.
10. **NO** la utilice al aire libre o con fines comerciales; este dispositivo es exclusivamente para uso doméstico.
11. **NO** utilice este dispositivo para otro propósito que no sea para el que está descrito en este manual.
12. Al licuar líquidos calientes, retire la copa de acceso que se encuentra en el centro de la tapa.
13. Para reducir el riesgo de lesiones, no coloque nunca las cuchillas de la unidad de corte sin que el vaso esté correctamente instalado en la base.
14. Utilice siempre la batidora en una superficie plana.
15. Desconecte la unidad de la toma de corriente cuando no esté en uso, antes de sacar o colocar accesorios y antes de limpiarlo.
16. Sunbeam Products, Inc., cuya denominación comercial es Jarden Consumer Solutions, recomienda no utilizar accesorios manufacturados por otro fabricante, como envases, o vasos ordinarios o accesorios para el procesamiento de alimentos, para evitar lesiones.
17. **NO** utilice su batidora durante más de 3 minutos de manera continua.
18. Aquellas personas (incluidos niños) cuyas capacidades físicas, sensoriales o mentales se hallen limitadas, o que carezcan de la experiencia y el conocimiento necesarios, no deberán utilizar este electrodoméstico, a menos que se hallen bajo supervisión o reciban instrucciones relativas al uso del electrodoméstico de parte de la persona encargada de velar por su seguridad.

## ESTA UNIDAD ESTA DISEÑADA SOLO PARA USO DOMÉSTICO.

El valor máximo marcado en el producto está basado en el accesorio que le brinda la máxima carga al artefacto. Otros accesorios podrían proporcionarle menos poder.



# INSTRUCCIONES ESPECIALES PARA EL CABLE

Por favor siga las siguientes instrucciones para un uso seguro del cable eléctrico

- **NO** utilice alargadores con este dispositivo.
- **NO** fuerce ni retuerza el cable eléctrico.
- Si el cable de suministro eléctrico o la clavija están dañados, deberá sustituirlos el fabricante o el agente de servicio correspondiente, o bien una persona cualificada para este trabajo. De esta forma se evitarán riesgos.

## CONSERVE ESTAS INSTRUCCIONES

### SERVICIO DE ASISTENCIA TÉCNICA

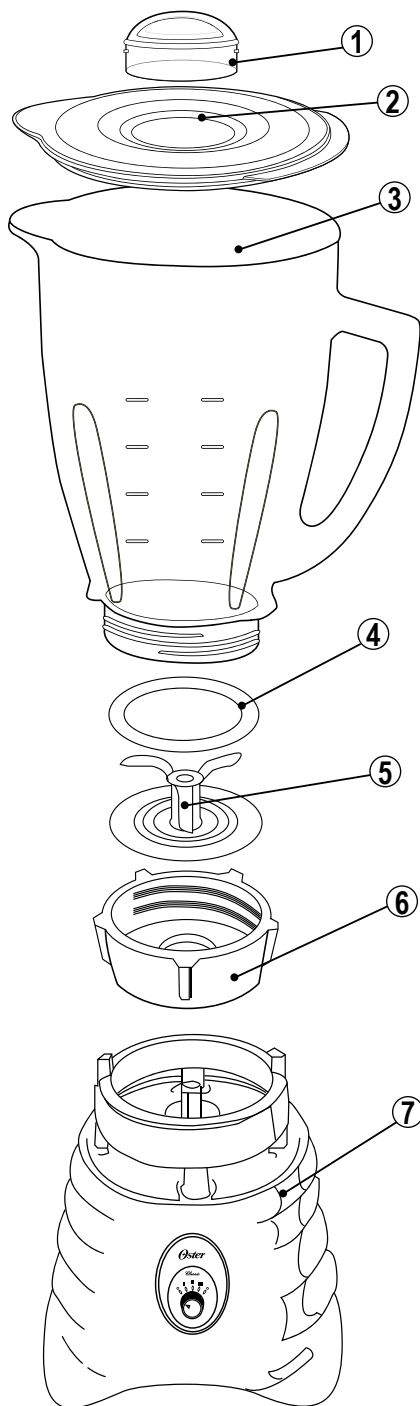
Si requiere asistencia técnica adicional para su producto o si quiere saber más sobre nuestro servicio de asistencia técnica postventa por favor llámenos.

**SERVICIO ATENCIÓN AL CLIENTE (ESPAÑA)**  
**902 051 502**

# CONOCIENDO SU BATIDORA OSTER®

## Tapa

La tapa de su Batidora OSTER® consta de dos partes, la copa de alimentación (1) y la tapa (2). La tapa es de sellado automático y está resistente a la absorción de olores y manchas. La copa de alimentación es extraíble para poder usarse como recipiente de medición y cuenta con una abertura para agregar otros ingredientes.



## Vaso

El vaso (3) para la Batidora está graduado para facilitar la medición y está moldeado con material resistente al calor y al frío. La cómoda asa y el pico vertedor permiten remover fácilmente las mezclas líquidas, mientras que las más espesas son más fáciles de remover a través del orificio inferior.

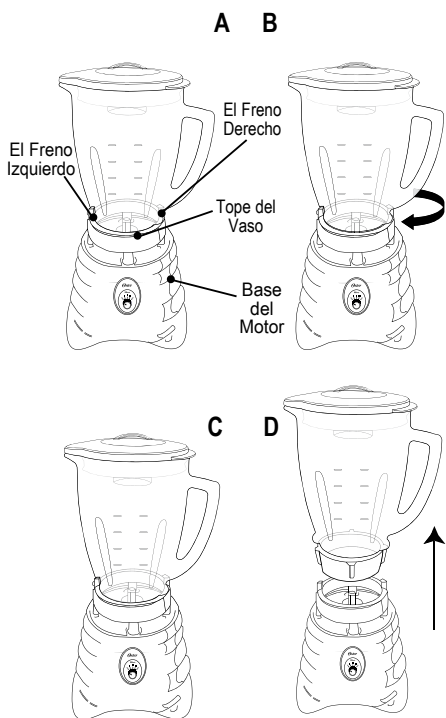
## Proceso de Ensamblado

El proceso de ensamblado consta de 3 partes: un anillo de plástico para sellar (4) usado como colchón entre el vaso y el agitador, el agitador (5) de acero inoxidable de gran calidad, un vaso con parte inferior roscada (6).

## Motor y Base del Motor

El potente motor de varias velocidades es el componente principal del dispositivo y está diseñado sólo para esta unidad. Está completamente introducido en la base (7). El motor tiene un dispositivo de "flotación libre" para reducir el ruido y el desgaste. Esto permite que el poste cuadrado que sobresale de la base del motor se mueva ligeramente de lado a lado. El potente motor procesador de alimentos puede sobrecargarse. Para evitarlo, siga de cerca estas instrucciones.

# AJUSTANDO EL VASO



**A.** Para ajustar la parte inferior del vaso, coloque el vaso ensamblándolo con cuidado en el anillo de la base del motor con el asa y el tope del vaso enfrente del freno derecho.

**B.** Gire, tirando del asa del vaso, a la izquierda, hasta que haga tope. Esto asegurará que el fondo del vaso esté correctamente ajustado. Retire el vaso de la base del motor y colóquelo.

**C.** Para poner en funcionamiento la Batidora, coloque el vaso ensamblado en el anillo de la base del motor con el tope del vaso contra el lado plano del freno de la base del motor. Si el tope del vaso no queda colocado contra el lado plano del freno derecho, extráigalo y colóquelo contra el lado plano del freno izquierdo. Asiente el vaso firmemente y encienda el dispositivo.

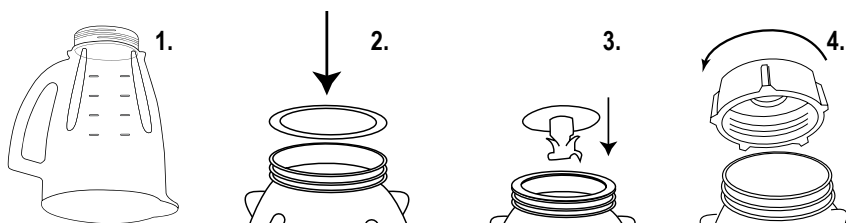
**D.** Para extraer el vaso, levántelo en forma vertical. (Si no se extrae fácilmente, mueva delicadamente de lado a lado y levante, no lo gire). Si el fondo del vaso no puede liberarse con la mano, coloque el vaso ensamblado en el anillo de la base del motor con el asa enfrente del freno de lado izquierdo. Usando el asa, gire el vaso a la derecha hasta que la parte inferior del vaso se libere.

No intente colocar el vaso o extraerlo de la base del motor mientras el motor está funcionando.

**¡SOSTENGA SIEMPRE EL VASO CON UNA MANO MIENTRAS PONE LA BATIDORA EN FUNCIONAMIENTO!**

# ENSAMBLANDO SU BATIDORA

**PRECAUCIÓN:** Siga estos importantes pasos para ensamblar, ajustar y montar el vaso de la Batidora de una forma rápida y correcta. SI LA CUCHILLA ESTÁ EXPUESTA, PUEDE CAUSAR LESIONES.



**1.** Invierta el vaso para que la abertura pequeña quede hacia arriba.

**2.** Coloque el anillo para sellar sobre la abertura del vaso.

**3.** Invierta la cuchilla del agitador y colóquela en la boca del vaso.

**4.** Apriete la parte inferior roscada al vaso.

# CUIDADO Y LIMPIEZA DE SU BATIDORA OSTER®

Los componentes del vaso de la Batidora son resistentes a la corrosión, higiénicos y fáciles de limpiar. Antes de usar su Batidora por primera vez y después de cada utilización, separe los componentes del vaso y limpie con agua tibia y jabonosa, después enjuague y seque bien. Verifique periódicamente todos los accesorios antes de volver a ensamblar. Si la cuchilla está atorada o es difícil girarla, **NO USE LA BATIDORA**. Revise cuidadosamente girando la cuchilla en sentido contrario a las manecillas del reloj (*los bordes contrarios están afilados*). La cuchilla debe girar libremente.

Si el vaso está roto o astillado **NO USE LA BATIDORA**. Su uso podría causar que el vaso se rompa. Use solamente accesorios de repuesto recomendados por OSTER® disponibles en un Centro de Servicio Autorizado.

**EL USO DE ACCESORIOS DAÑADOS O NO RECOMENDADOS PUEDE CAUSAR LESIONES Y/O DAÑOS GRAVES A LA BATIDORA.** Lea la Página 18 para la información de ensamblado correcto del vaso y las instrucciones de uso.

**NO SUMERJA LA BASE DEL MOTOR EN AGUA.** La base puede limpiarse con un trapo húmedo (desconecte primero). El motor está permanentemente lubricado y no requiere lubricación adicional. **CUALQUIER SERVICIO DEBE SER REALIZADO POR UN CENTRO DE SERVICIO AUTORIZADO.**

## CÓMO FUNCIONA SU BATIDORA OSTER®

Su Batidora OSTER® es un aparato electrodoméstico de múltiples velocidades, que opera en un amplio rango de velocidades de la más lenta hasta la más rápida. Este rango de velocidades hace la preparación de los alimentos fácil, interesante y rápida.

Además, su Batidora OSTER® tiene dos métodos distintos de funcionamiento:

1. CONTINUO para licuar, mezclar y picar finamente.
2. CICLO DE CONTROL DEL LICUADO, usado para moler piezas picadas de alimentos, tales como verduras picadas, nueces o quesos. Hay varias maneras diferentes de utilizar el dispositivo de CICLO DE CONTROL DEL LICUADO, pero todas se relacionan con accionar intermitentemente el motor de encendido a apagado. Durante la posición encendida del ciclo, los alimentos se muelen y se extraen del camino de las cuchillas. Durante la posición apagada del ciclo, los alimentos regresan sobre las cuchillas para hacer el procesamiento más uniforme.

**NOTA:** Un ciclo consiste en hacer funcionar la Batidora durante aproximadamente 2 segundos y permitir a continuación detenerse la cuchilla totalmente.

## CANTIDADES MÁXIMAS PARA PROCESAR ALIMENTOS

ALIMENTO	CANTIDAD PROCESADA	CANTIDAD SIN PROCESAR	INSTRUCCIONES ESPECIALES
Zumo de manzana	375 ml	1 mediana, pelada, despepitada y cortada en octavos + 250 ml de líquido	Velocidad III por un máximo de 30 segundos
Zumo de zanahoria	1,4 litros	600 g de zanahorias + 800 ml de agua	Velocidad III por un máximo de 2 minutos. Exprimir la pulpa para sacarle el zumo
Frijoles refritos	750 ml	750 ml de frijoles pintos enlatados	Velocidad III por un máximo de 2 minutos. Condimentados con sal y especias, y fritos en una sartén
Queso duro o semi-duro	250 ml	250 ml de trozos de 2,5 cm	Velocidad I por un máximo de 1 minuto
Coco	250 ml	250 ml de trozos de 2,5 cm	Velocidad I por un máximo de 1 minuto
Granos de café	250 ml	1 taza de 250 ml	Velocidad II por un máximo de 45 segundos para percoladores y 60 para cafeteras de goteo
Frutas secas	125 ml escasos + 120 gramos de harina	125 ml	Velocidad III por un máximo de 15 segundos
Huevos duros	200 ml	2 huevos en trozos de 2,5 cm	Velocidad I por un máximo de 30 segundos
Pimienta en grano	125 ml	125 ml	Velocidad I por un máximo de 30 segundos
Nuez moscada	15 ml	3 nueces, sin cáscara	Velocidad I por un máximo de 30 segundos
Raíz de jengibre	50 ml	2 o 3 trozos de 2,5 cm cada uno	Velocidad I por un máximo de 30 segundos

**Nota:** Debido a las variaciones de tamaño, consistencia y frescura de los alimentos, posiblemente se deba incrementar o acortar el tiempo indicado en la presente tabla.

# GARANTÍA PARA EUROPA

Guarde este recibo, ya que lo necesitará para cualquier reclamación cubierta por la garantía.

Este producto tiene una garantía de 2 años desde la fecha de compra, como se indica en el presente documento.

Durante este período de garantía, en el improbable caso de que el dispositivo deje de funcionar debido a un fallo de diseño o fabricación, devuélvalo al lugar donde lo compró con su recibo de compra y una copia de esta garantía.

Los derechos previstos en la presente garantía son adicionales a sus derechos legales, que no se verán afectados por la presente garantía. Únicamente Holmes Products (Europe) Ltd. ("Holmes") podrá modificar las disposiciones relativas a la misma.

Holmes se compromete, durante el período de garantía, a reparar o cambiar el dispositivo, o cualquier parte del mismo, que no funcione correctamente, de manera gratuita siempre que:

- informe inmediatamente al establecimiento de compra o a Holmes del problema; y
- no se haya modificado el dispositivo de ninguna forma ni se haya sometido a daños, uso indebido, mal uso o reparación por cualquier otra persona no autorizada por Holmes.

Los fallos que se produzcan por uso indebido, daños, mal uso, uso con un voltaje incorrecto, fuerza mayor, acontecimientos que escapen al control de Holmes, reparaciones o modificaciones realizadas por una persona no autorizada por Holmes o por no seguir las instrucciones de uso no están cubiertos por esta garantía. Además, el desgaste o deterioro debidos al uso normal, incluidos, entre otros, los arañazos y las pequeñas decoloraciones no están cubiertas por esta garantía.

Los derechos previstos en la presente garantía sólo se aplicarán al comprador original y no se cubrirán el uso comercial o comunitario.

Si el dispositivo incluye una garantía específica de algún país, consulte los términos y condiciones de dicha garantía en sustitución de la presente garantía, o póngase en contacto con el comerciante autorizado de su localidad para obtener más información.



Esta marca indica que en ninguna parte de la Union Europea esta permitido desechar este producto junto con la basura del hogar. En vez de eso, y en línea con las leyes que tratan de prevenir posibles perjuicios para el medio ambiente o para la salud humana a causa del desecho incontrolado de residuos, usted debe reciclar este producto de manera responsable. De ese modo, entre todos promovemos la reutilización sostenible de los recursos materiales. Para reciclar el producto usado, use los sistemas de recogida que tenga en su localidad o pongase en contacto con la tienda o comercio en que fue comprado dicho producto. Así ellos podrán llevar el producto al lugar designado para el reciclaje adecuado, respetuoso con el medio ambiente.

Holmes Products (Europe) Limited  
1 Francis Grove  
London  
SW19 4DT  
Reino Unido

# PRECAUÇÕES IMPORTANTES

Ao utilizar eletrodomésticos é importante tomar precauções básicas de segurança para evitar riscos de incêndio, descargas elétricas e/ou lesões, como as que seguem:

## LEIA TODAS AS INSTRUÇÕES ANTES DE USAR SEU ELETRODOMÉSTICO

1. Desligue o fio da tomada quando não estiver usando o liquidificador ou antes de limpá-lo.
2. Para se proteger contra o risco de uma descarga elétrica, não se deve submergir o fio, o plugue ou o aparelho na água ou em outros líquidos.
3. **NÃO** deixe que o fio fique pendurado na borda da mesa ou do balcão ou que entrem contato com superfícies quentes.
4. Jamais deixe um aparelho elétrico sozinho enquanto o mesmo estiver em funcionamento.
5. Crianças devem estar sob supervisão para assegurar-se de que não brinquem com o aparelho.
6. Mantenha as mãos e os utensílios fora da jarra enquanto o liquidificador esteja funcionando para reduzir o risco de lesões pessoais sérias e/ou danos ao liquidificador. Use uma espátula de borracha quando o liquidificador não estiver funcionando.
7. As laminas são afiadas, deve-se manusear com cuidado. Tenha cuidado ao manusear as lâminas afiadas, ao esvaziar a jarra e ao limpar o liquidificador.
8. Coloque a tampa na jarra toda vez que for usar o liquidificador.
9. **NÃO** use nenhum aparelho com o fio ou plugue danificado, caso o mesmo esteja apresentando falhas ou tenha caído no chão ou tenha sido danificado de qualquer outra maneira. Leve o aparelho ao Centro de Serviço Autorizado mais próximo para que o mesmo seja examinado, reparado ou ajustado.
10. **NÃO** use o aparelho ao ar livre ou para fins comerciais; este aparelho foi desenvolvido exclusivamente para o uso doméstico.
11. **NÃO** use este aparelho para fins que não sejam aqueles aos quais estão descritos neste manual.
12. Ao liquidificar líquidos quentes, tire o copinho de acesso que fica na tampa.
13. Para reduzir o risco de lesões, nunca coloque as laminas sem que a jarra esteja bem colocada na base.
14. Sempre use o liquidificador em uma superfície plana.
15. Desligue o aparelho da tomada quando o mesmo não estiver sendo usado, antes de retirar ou colocar acessórios e antes de limpá-lo.
16. O uso de acessório não recomendados ou vendidos pelo fabricante do aparelho, incluindo um recipiente ou jarra regular e acessórios para processar, não é recomendado pela Sunbeam Products, Inc. operando sobre o nome de Jarden Consumer Solutions e pode causar riscos de danos corporais às pessoas.
17. **NÃO** deixe seu liquidificador funcionar de forma contínua por mais de 3 minutos
18. Este aparelho não deve ser utilizado por adultos (ou crianças) com deficiências físicas, sensoriais ou mentais ou por indivíduos sem experiência ou conhecimento sobre o uso, a menos que haja a supervisão ou sejam instruídos sobre o uso do mesmo por uma pessoa responsável pela sua segurança.

## ESTE APARELHO FOI DESENVOLVIDO SOMENTE PARA O USO DOMÉSTICO.

A potência máxima indicada no produto foi baseada no acessório que requer a máxima carga do aparelho. Outros acessórios poderão requerer menos potencia.

# INSTRUÇÕES ESPECIAIS PARA O FIO ELÉTRICO

Siga as seguintes instruções para usar o fio elétrico com segurança.

- **NÃO** use fios de extensão com este aparelho.
- **NÃO** puxe nem torça o fio elétrico.
- Se o cabo de alimentação ou a ficha ficarem danificados, terão de ser substituídos pelo fabricante, por um agente da assistência técnica do fabricante ou por uma pessoa habilitada, a fim de evitar riscos.

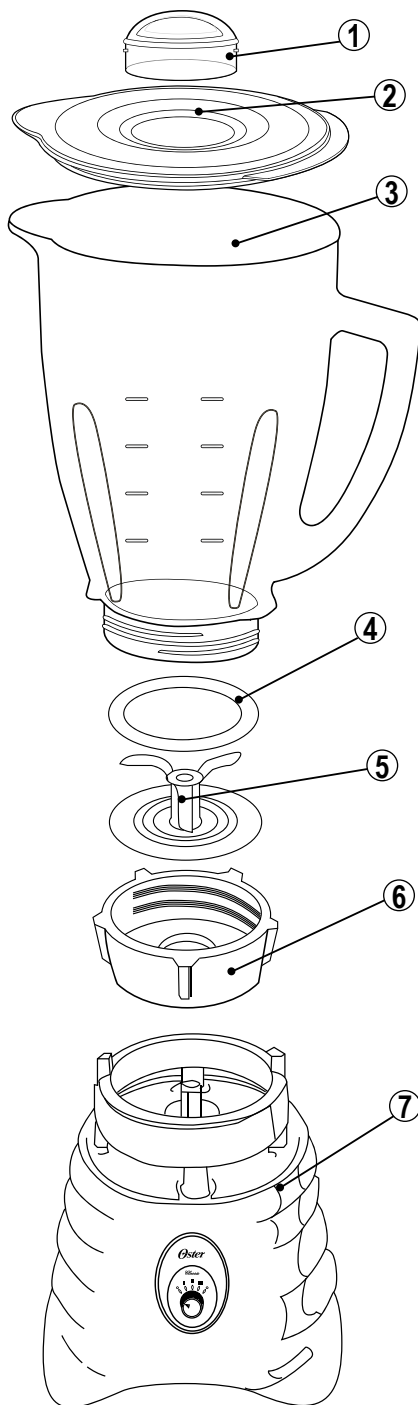
**GUARDE ESTAS INSTRUÇÕES**



# CONCEITOS BÁSICOS DO SEU LIQUIDIFICADOR OSTER®

## Tampa

A tampa do seu Liquidificador OSTER® contém duas peças, a sobretampa (1) e a tampa (2). A tampa é auto vedante e é resistente a absorção de cheiros e manchas. A sobretampa é removível, pode ser aberta para adicionar alimentos ou outros ingredientes e pode ser usada também como medidor.



## Jarra

A jarra (3) do Liquidificador é graduada com medidas e é feita de um material resistente ao calor e ao frio. A alça e o bico facilitam a transferência das misturas líquidas, enquanto misturas mais espessas são removidas mais facilmente pela parte inferior da jarra.

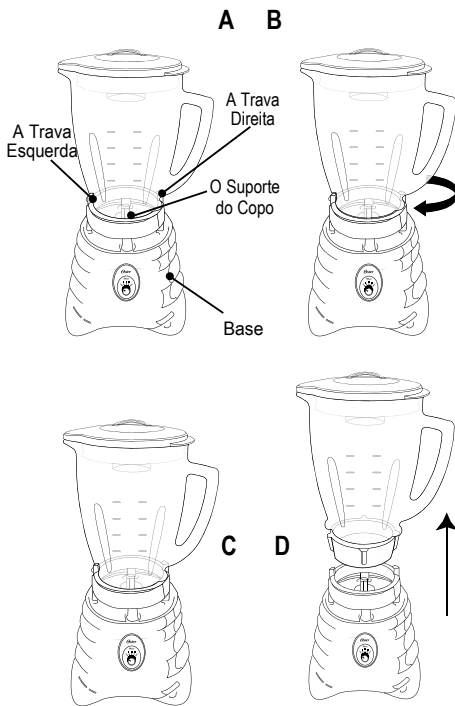
## Montagem

A montagem é composta por três peças: um anel de vedação (4) usado entre a jarra e a lâmina; uma lâmina (5) feita de aço de alta qualidade e uma base de jarra (6) com ranhuras.

## Motor e Base

O potente motor com várias velocidades é a parte mais importante do seu aparelho e foi projetado só para ele. O motor está completamente envolvido pela base (7). Usa um mecanismo “de flutuação livre” que reduz o ruído e o desgaste. Isto permite que o pino quadrado saliente da base se mova um pouco de um lado para o outro. Mesmo potente, o motor para processamento de alimentos pode ser sobrecarregado. Para evitar esta possibilidade, siga atentamente as instruções contidas neste manual.

# ENCAIXANDO A JARRA



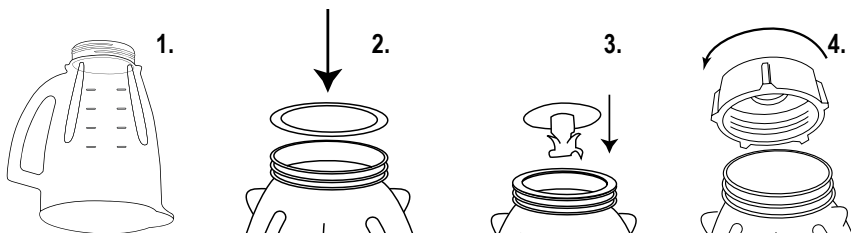
- Para encaixar a base da jarra, coloque-a firmemente encaixada na base do motor com a alça e o suporte alinhado à trava direita.
- Utilizando a alça da jarra, vire-a para a esquerda o máximo possível. Isto garante que a base da jarra está presa com firmeza. Remova a jarra da base do motor e monte-a.
- Para operar o Liquidificador, coloque a jarra montada no anel da base do motor com o suporte da jarra contra a parte lisa do motor. Se o suporte da jarra não for colocado contra a parte lisa da trava direita, remova a montagem da jarra e recoloco-o contra a parte lisa da trava esquerda. Encaixe a jarra com firmeza e coloque o aparelho em funcionamento.
- Para retirar a jarra, levante-a diretamente para cima. Se não sair facilmente, sacuda gentilmente a jarra sem torcê-la e levante-a diretamente para cima. Se você não conseguir desatarraxar a base da jarra com as mãos, coloque a jarra no anel da base do motor com a alça alinhada à trava esquerda. Usando a alça, vire a jarra para a direita até que a base desatarraxe.

Não retire ou coloque a jarra enquanto o motor estiver em funcionamento.

**SEGURE A JARRA DO LIQUIDIFICADOR COM UMA MÃO DURANTE TODO O TEMPO DE OPERAÇÃO!**

## MONTANDO O SEU LIQUIDIFICADOR

**CUIDADO:** Siga as instruções para montar e apertar a jarra rápida e corretamente. ACIDENTES PODÊM OCORRER CASO AS LÂMINAS EM MOVIMENTO SEJAM EXPOSTAS.



- Vire a jarra de cabeça para baixo para que a pequena abertura esteja na parte superior.
- Coloque o anel de vedação na abertura da jarra.
- Vire o suporte das lâminas de cabeça para baixo e coloque-o na boca inferior da jarra.
- Encaixe a base da jarra nela.

# CUIDADOS E LIMPEZA DO SEU LIQUIDIFICADOR OSTER®

As peças da jarra do seu Liquidificador são resistentes à corrosão, higiênicas e fáceis de limpar. Desmonte as peças da jarra do seu Liquidificador e lave-as com água morna e detergente, enxágüe e seque bem. Faça isso antes de usar o seu aparelho pela primeira vez e depois de todas as vezes que for usado.

Verifique periodicamente todas as peças antes de montá-las. Se as lâminas estiverem presas ou encontrando dificuldade para girar, **NÃO USE O LIQUIDIFICADOR**. Verifique cuidadosamente as lâminas girando-as no sentido anti-horário (*lados opostos são afiados*). As lâminas deverão girar livremente.

Se o vidro da jarra estiver rachado ou quebrado, **NÃO USE O LIQUIDIFICADOR**. O uso do aparelho pode resultar na quebra da jarra durante o funcionamento. Use somente peças de reposição Oster disponíveis no Serviço Autorizado.

**O USO DE PEÇAS DANIFICADAS OU NÃO RECOMENDADAS PODE RESULTAR EM ACIDENTES PESSOAIS E/OU DANOS AO LIQUIDIFICADOR.** Veja Página 25 para obter instruções corretas de montagem da jarra.

**NUNCA COLOQUE A BASE DO MOTOR EM ÁGUA.** A parte exterior do aparelho pode ser limpa com um pano úmido (*desligue antes o fio elétrico da tomada*). O motor é permanentemente lubrificado e não requer nenhuma lubrificação adicional. **QUALQUER TIPO DE CONserto DEVE SER FEITO POR UM SERVIÇO AUTORIZADO.**

## COMO FUNCIONA SEU LIQUIDIFICADOR OSTER®

Seu Liquidificador OSTER® é um eletrodoméstico que opera numa faixa ampla de velocidades, que torna o preparo dos alimentos fácil, interessante e rápido.

Além disso, seu Liquidificador OSTER® opera em dois modos distintos:

1. CICLO CONTÍNUO para misturar, liquidificar e picar fino.
2. CICLO CONTROLADO, usado para picar pedaços de alimento, como: pedaços de vegetais, nozes ou queijos. Existem diversas maneiras de operar o CICLO CONTROLADO, mas todas envolvem ligar e desligar o motor intermitentemente. Ligado, o alimento é picado e arremessado para longe das lâminas. Desligado, o alimento é distribuído ao redor das lâminas para que o processamento seja mais uniforme.

**NOTA:** Um ciclo consiste em operar as lâminas por dois segundos e depois deixá-las parar.

## QUANTIDADE MÁXIMA DE PROCESSAMENTO POR TIPO DE ALIMENTO

ALIMENTO	QUANTIDADE PROCESSADA	QUANTIDADE SEM PROCESSAR	INSTRUÇÕES ESPECIAIS
Sumo de maçã	375 ml	1 maçã média, sem casca, sem sementes e cortada em cubos + 250 ml de líquido	Velocidade III por um máximo de 30 segundos
Sumo de cenoura	1,4 litros	600 g de cenouras + 800 ml de água	Velocidade III por um máximo de 2 minutos. Espremer a polpa para retirar o sumo
Feijões fritos	750 ml	750 ml de feijão cozido e ensopado	Velocidade III por um máximo de 2 minutos. Condimentados com sal e temperos e fritos numa frigideira
Queijo duro ou semi-duro	250 ml	250 ml de pedaços de 2,5 cm	Velocidade I por um máximo de 1 minuto
Coco	250 ml	250 ml de pedaços de 2,5 cm	Velocidade I por um máximo de 1 minuto
Grãos de café	250 ml	1 chávena de 250 ml	Velocidade II por um máximo de 45 segundos para percoladores e 60 para cafeteiras de pingo
Frutas secas	125 ml escassos + 120 gramas de farinha	125 ml	Velocidade III por um máximo de 15 segundos
Ovos bem cozidos	200 ml	2 ovos em pedaços de 2,5 cm	Velocidade I por um máximo de 30 segundos
Pimenta em grão	125 ml	125 ml	Velocidade I por um máximo de 30 segundos
Noz moscada	15 ml	3 nozes, sem casca	Velocidade I por um máximo de 30 segundos
Raiz de gengibre	50 ml	2 ou 3 pedaços de 2,5 cm cada	Velocidade I por um máximo de 30 segundos

**Observação:** Devido às diferenças de tamanho, consistência e frescura dos alimentos, pode ser necessário aumentar ou diminuir o tempo de processamento indicado nesta tabela.

# GARANTIA PARA EUROPA

Guarde o seu recibo, já que ele será necessário para quaisquer reclamações ao abrigo desta garantia.

Este produto tem uma garantia de 2 anos após a compra, conforme o descrito neste documento.

Durante este período de garantia, no caso improvável de o aparelho deixar de funcionar devido a um defeito de concepção ou fabrico, devolva-o ao local da compra, acompanhado do recibo e de uma cópia desta garantia.

Os direitos e benefícios adquiridos ao abrigo desta garantia complementam e não afectam os seus direitos legais. Apenas a Holmes Products (Europe) Ltd. ("Holmes") tem o direito de alterar estes termos.

A Holmes compromete-se, durante o período da garantia, a reparar ou substituir o aparelho ou qualquer peça do mesmo que não funcione devidamente, sem encargos, desde que:

- comunique prontamente ao local de compra ou à Holmes o problema; e
- o aparelho não tenha sofrido qualquer alteração, nem tenha sido sujeito a danos, uso indevido, abuso, reparação ou alteração por alguém não autorizado pela Holmes.

Esta garantia não cobre as avarias resultantes de uso indevido, danos, abuso, uso de voltagem incorrecta, actos da natureza, eventos fora do controlo da Holmes, reparações ou alterações por alguém não autorizado pela Holmes ou incumprimento das instruções de utilização. A garantia não cobre igualmente o desgaste normal, incluindo, entre outros, ligeira descoloração e riscos.

Os direitos adquiridos ao abrigo desta garantia aplicam-se apenas ao comprador original e não são extensíveis a uma utilização comercial ou colectiva.

Se o seu aparelho incluir uma garantia ou um certificado específico para o país, por favor consulte os termos e as condições dessa garantia ou certificado em vez desta, ou contacte o seu revendedor local autorizado para mais informações.



Este símbolo indica que em nenhuma parte da União Europeia é permitido descartar este produto junto ao lixo caseiro. Ao invés disso e segundo as leis que tratam de prevenir possíveis danos ao meio ambiente ou para a saúde humana como resultado do descarte descontrolado de resíduos, este produto deve ser reciclado de forma responsável. Desta maneira, entre todos, promoveremos a reutilização sustentável de recursos materiais. Para reciclar o produto usado, use os sistemas de colecta disponível em sua região ou contacte a loja ou comércio onde o produto foi comprado. Sendo assim, eles poderão levar o produto ao local adequado para sua reciclagem, respeitando o meio ambiente.

Holmes Products (Europe) Limited  
1 Francis Grove  
London  
SW19 4DT  
UK



- © 2011 Sunbeam Products, Inc. doing business as Jarden Consumer Solutions. All rights reserved. Distributed by Holmes Products (Europe) Ltd., 1 Francis Grove, London SW19 4DT, United Kingdom.
- © 2011 Sunbeam Products, Inc. faisant affaires sous le nom de Jarden Consumer Solutions. Tous droits réservés. Distribué par Holmes Products (Europe) Ltd., 1 Francis Grove, London SW19 4DT, United Kingdom
- © 2011 Sunbeam Products, Inc. operando bajo el nombre de Jarden Consumer Solutions. Todos los derechos reservados. Distribuido por Holmes Products (Europe) Ltd., 1 Francis Grove, London SW19 4DT, United Kingdom
- © 2011 Sunbeam Products, Inc. operando sob o nome de Jarden Consumer Solutions. Todos os direitos reservados. Distribuido pela Holmes Products (Europe) Ltd., 1 Francis Grove, London SW10 4DT, United Kingdom

[www.oster.com](http://www.oster.com)

Printed in U.S.A

Impreso en EE.UU.

Impresso nos E.U.A.

Imprimé aux États-Unis  
P.N. 170500-601-000  
CBA-051711